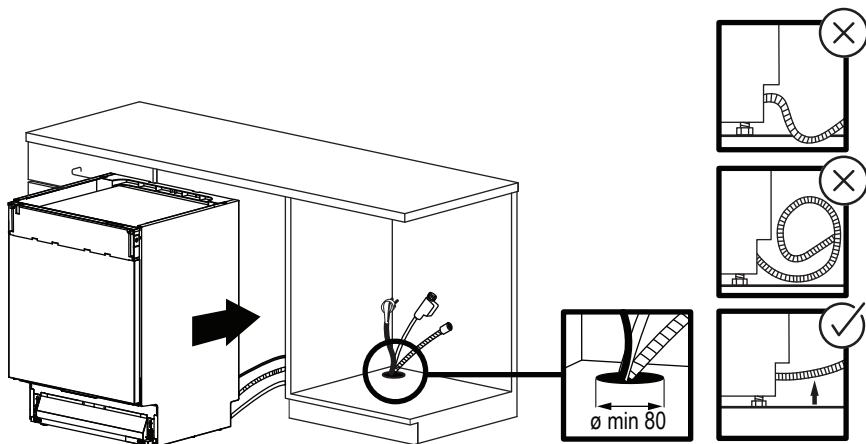
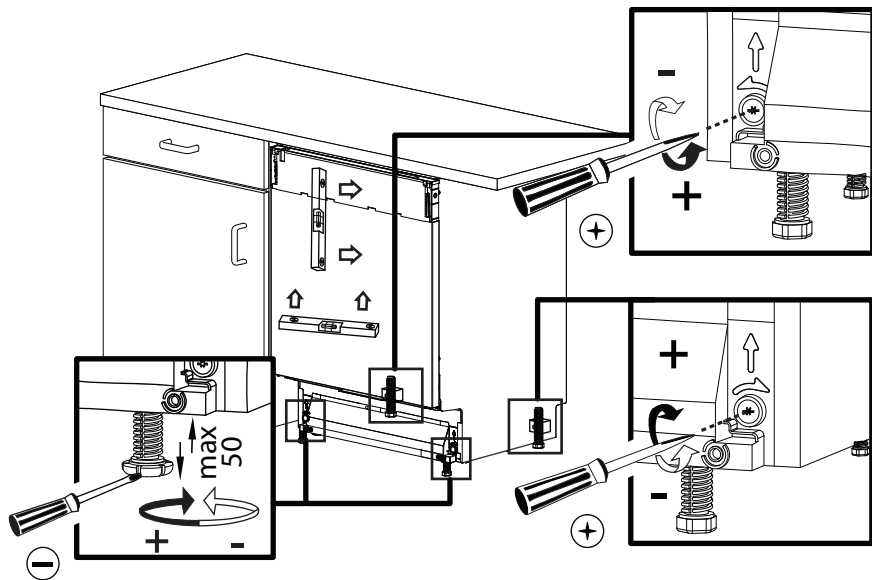
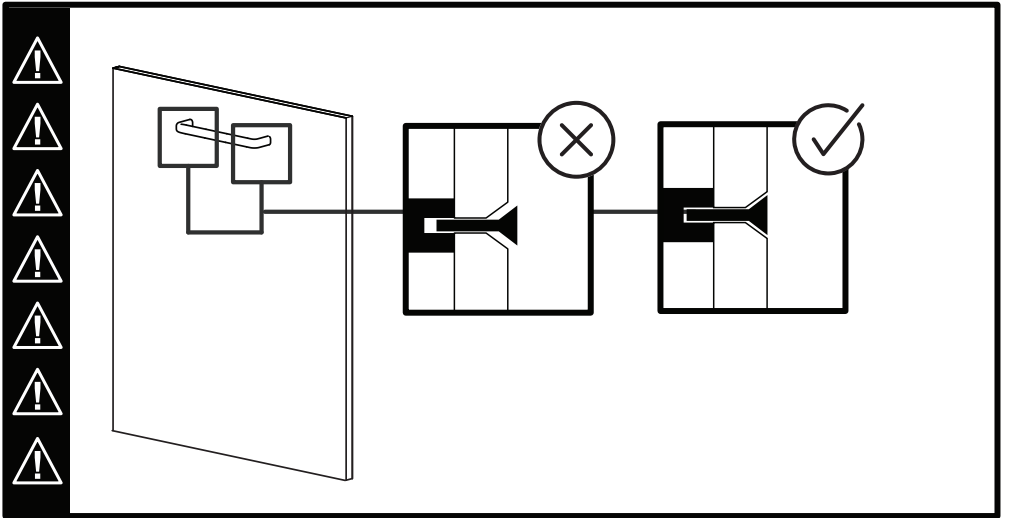


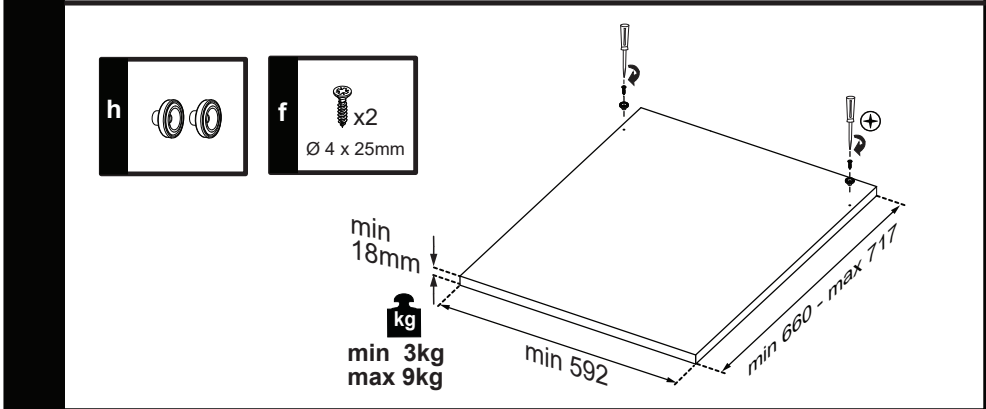
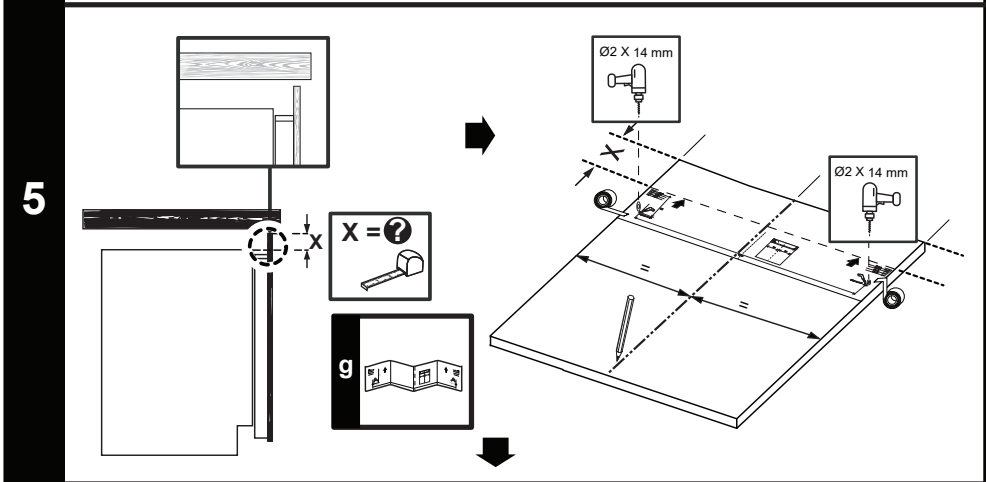
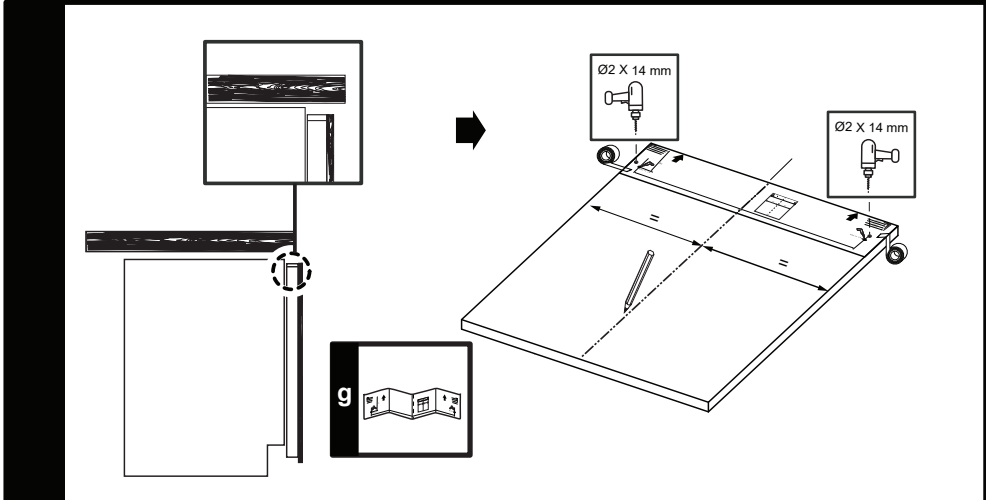
3

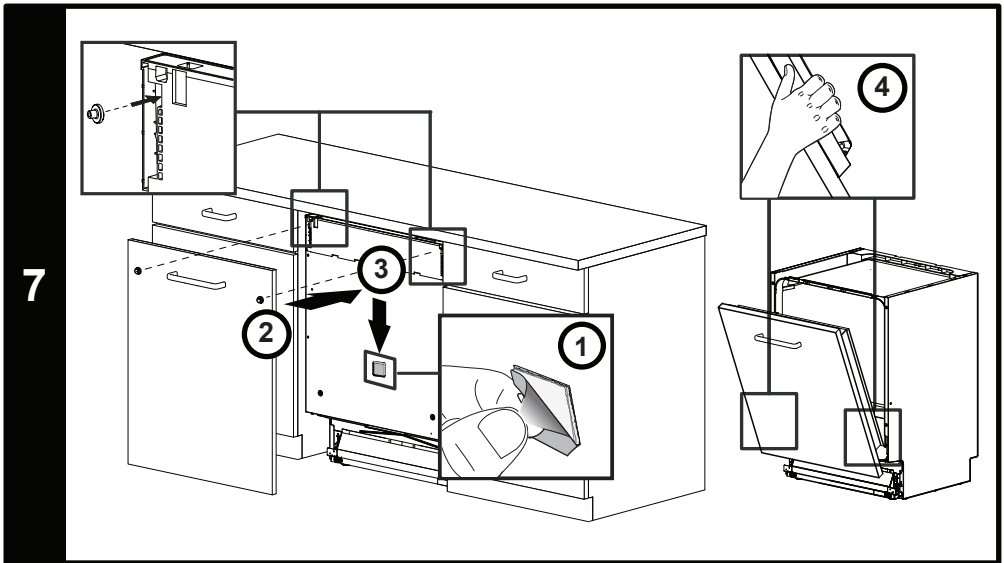
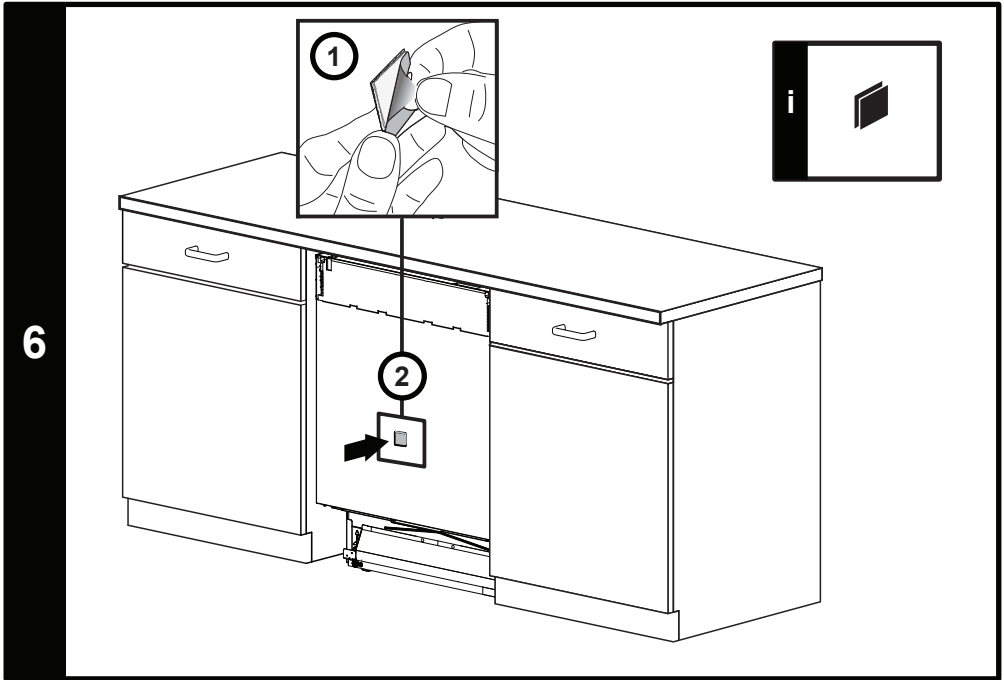


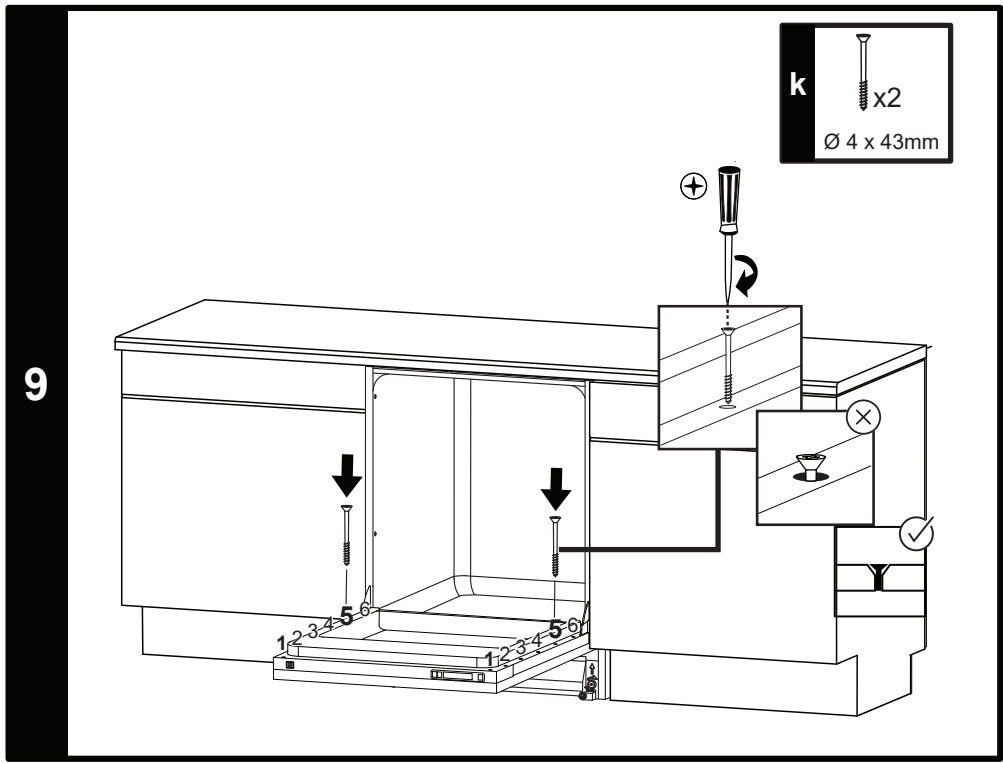
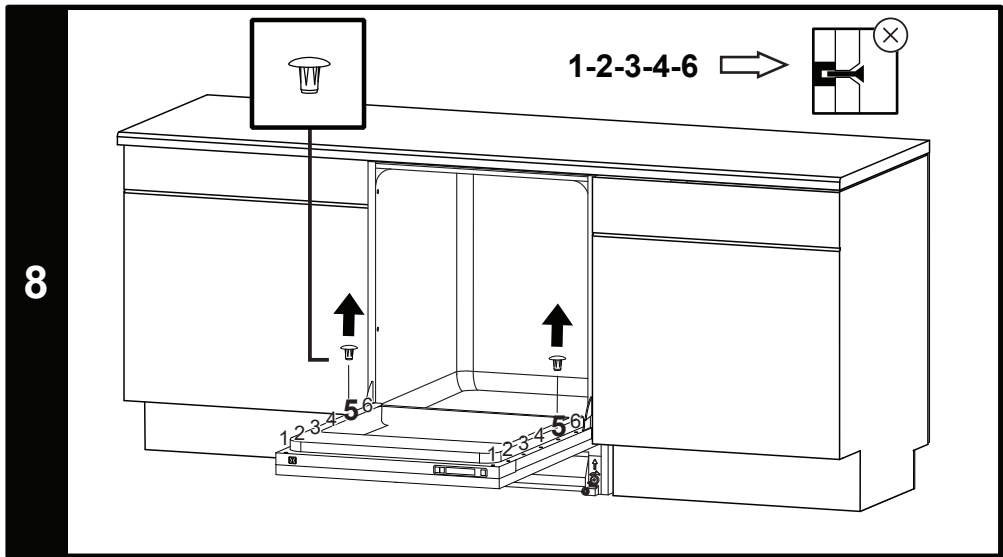
4



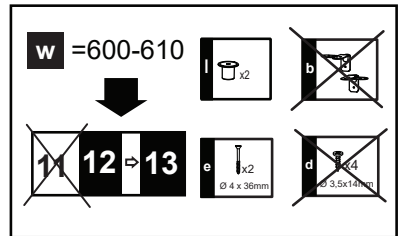
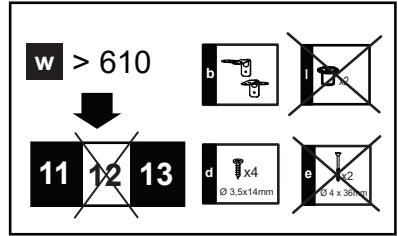
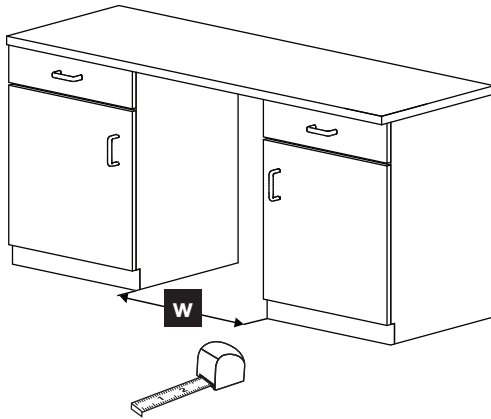




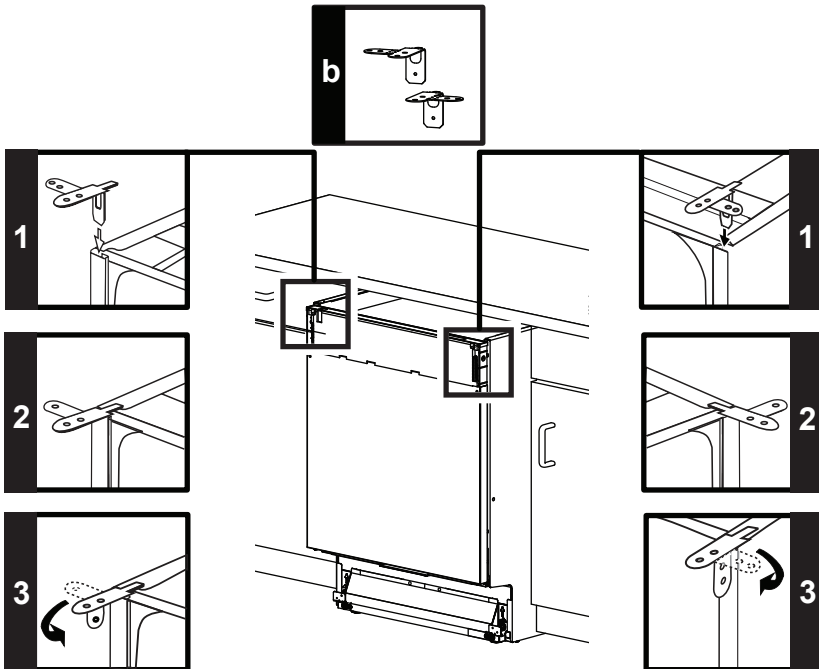




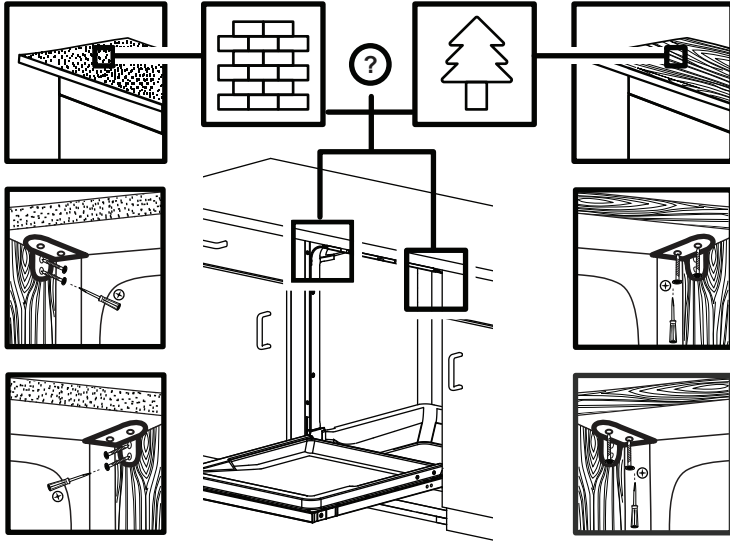
⚠
10
⚠




11
—
a

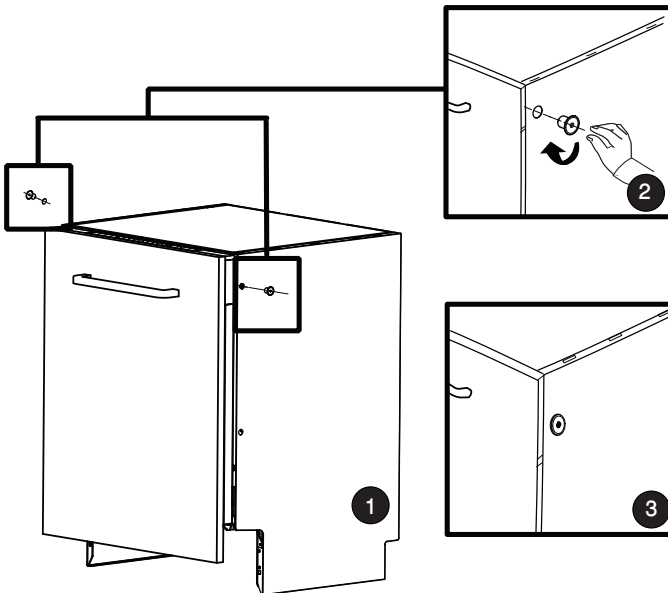



11
b

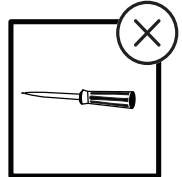


d  x4
Ø 3,5x14mm

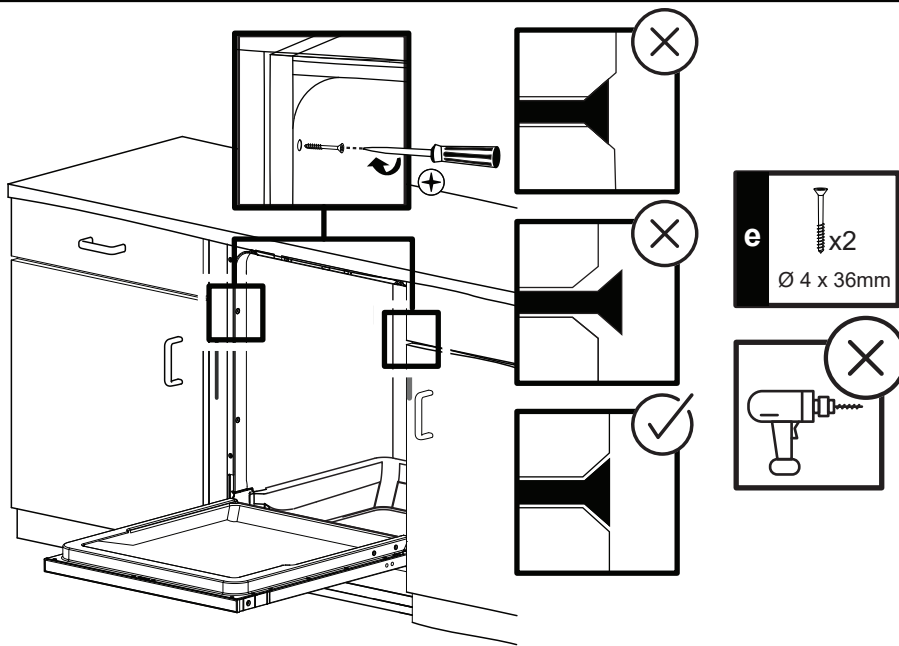
12
a



 x2



12
b



13

