



Cooker hood

User Manual

Campana extractora

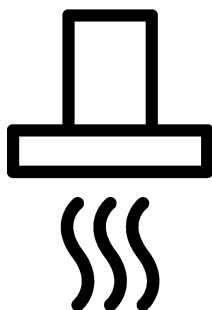
Manual del usuario

Okapu

Instrukcja użytkowania

Digestoře

Návod k použití



HCB63741BX

EN / ES / PL / CZ

185.7311.19/R.AA/18.11.2020/3-1

7702382937

Please read this user manual first!

Dear Customer,

Thank you for purchasing this Beko product. We hope that you get the best results from your product which has been manufactured with high quality and state-of-the-art technology. Therefore, please read this entire user manual and all other accompanying documents carefully before using the product and keep it as a reference for future use. If you handover the product to someone else, give the user manual as well. Follow all warnings and information in the user manual.

Remember that this user manual is also applicable for several other models. Differences between models will be identified in the manual.

Explanation of symbols

Throughout this user manual the following symbols are used:



Important information or useful hints about usage.



Warning of hazardous situations with regard to life and property.



Warning of electric shock.



Warning of risk of fire.



Warning of hot surfaces.



Arçelik A.Ş.
Karaağaç caddesi No:2-6
34445 Sülüce/Istanbul/TURKEY

Made in TURKEY

This product was manufactured using the latest technology in environmentally friendly conditions.

TABLE OF CONTENTS

1 Important instructions and warnings for safety and environment 4

General safety.....	4
Electrical safety	5
Product safety.....	6
Intended use.....	7
Children's safety.....	7
Disposing of the old product	8
Package information.....	8

2 General information 9

Overview	9
Scope of delivery.....	9
Technical specifications	10

3 Installation 11

Installation.....	11
Future transportation	16

4 Operating the hood 17

5 Maintenance and care 19

General information	19
Replacing the lamp.....	20

6 Troubleshooting 21

1 Important instructions and warnings for safety and environment

This section contains safety instructions that will help protect from risk of personal injury or property damage. Failure to follow these instructions shall void any warranty.

General safety

- This appliance can be used by children aged from 8 years and above and persons with reduced physical, sensory or mental capabilities or lack of experience and knowledge if they have been given supervision or instruction concerning use of the appliance in a safe way and understand the hazards involved.
Children shall not play with the appliance. Cleaning and user maintenance shall not be made by children without supervision.
- **Risk of Toxicating!** While the appliance is operating, air in the entire house is sucked. If adequate ventilation is not provided, waste and toxic gasses which are released as a result of burning will be drawn back into the house through chimney draught. Do not operate the appliance together with sources that may emit toxic gasses and create air draught (wood, gas, oil, and coal stoves, water heaters, kettles, etc.).
- Always have the authorized persons check the adequacy of ventilation and chimney draught in your building.
- The appliance is not intended for use by persons (including children) with reduced physical, sensory or mental capabilities, or lack of experience and knowledge, unless they have been given supervised or instruction concerning use of the appliance by a responsible person for their safety. Young children should be supervised to ensure that they do not play with the appliance. Cleaning and user maintenance procedures should not be performed by the children unless they are under supervision.

- Always have the installation and repair procedures performed by **Authorised Service Agent**. Manufacturer shall not be held responsible for damages arising from procedures carried out by unauthorised persons.
- Do not operate the appliance if it is defective or has any visible damage.
- Make sure that the appliance is switched off after every use.
- If the product is handed over to someone else for personal use or second-hand use purposes, the user manual, product labels and other relevant documents and parts should be also given.
- Appliance must be installed by a qualified person in accordance with the regulations in force. Otherwise, the warranty shall become void.
- If it has a failure, the product should not be operated without being repaired by the Authorised Service Agent. There is the risk of electric shock!
- Never connect the hood before installation is completed.
- Never touch the plug with wet hands! Do not unplug by pulling from the cable; always hold by the plug to unplug.
- Product must be disconnected from the mains during installation, maintenance, cleaning and repair procedures.
- If the supply cord is damaged, it must be replaced by the manufacturer or its service agent or a similarly qualified person in order to avoid a hazard.
- Never connect power cable near to the hobs. If melted down, cable may lead to fire.

Electrical safety

- To get your product ready for use, firstly you must have installation place and electric wiring prepared. Later, you may call Authorised Service nearest to you.
- Any work on electrical equipment and systems may only be carried out by authorised and qualified persons.
- In case of any damage, switch off the product and disconnect it from the mains.

To do this, turn off the fuse at home.

- Make sure that fuse current is compatible with the product.
- Never wash down the product with water! There is the risk of electric shock!

Product safety

- The height between the lower surface of the hood and upper surface of the hob should not be less than 650 mm.
- Never touch the hood's lamp after they operated for a long time. Hot lamps may burn your hands.
- Never operate the product without oil filter. Never remove filters when the product is in use.
- Avoid big flames beneath the product. Otherwise, particles on oil filter may flame up and cause fire.
- Turn on the hobs after placing pans or pots on. Otherwise, rising temperature may deform certain parts of your product.
- Turn off the hobs before taking away pans or pots.
- Avoid inflammable materials under the hood.

- Do not expose the product to open flames beneath it. It can cause oils accumulated in the filter to catch fire. Do not operate the product without filter.
- Never leave the cooker unattended when frying foods, the oil may flame up and boiled oil may cause fire. Thus, be careful about cloths and curtains.
- If the hood is not periodically and properly cleaned, this may cause burning risk on your hood.
- For refreshing the kitchen's air from cooking smells and steams, please turn on your hood for 15 minutes more after cooking or frying has ended.
- There shall be adequate ventilation of the room when the range hood is used at the same time as appliances burning gas or other fuels. (Not applicable to appliances that only discharge the air back into the room)
- In the environment where the hood is being used, the exhaust of fuel oil or gas devices such as room heater must be absolutely insulated

or device must be hermetical type.

- If there is a fuel oil or gas device in the environment, the room must be ventilated sufficiently.
- When a non-electrically operated device is concurrently used in the environment together with the hood, the negative pressure in the room must be maximum 0.4 mbar to avoid the hood's returning other device's exhaust into the room.
- Never connect the hood to the chimneys used for heaters, waste gas or with rising flames. Observe authorities' regulations on the draining of output air.
- When connecting to the chimney, use 120-mm diameter pipes. Pipe connection must be as short as possible with fewer bends.
- Do not hang easily flammable and combustible materials on hood handles.
- Our company shall never be responsible for the problems arising from the use against the warnings above.

- There is a risk of fire if cleaning is not carried out in accordance with the instructions.
- Do not flambé under the range hood.
- Caution: Accessible parts may become hot when used with a cooking appliance.
- You are recommended to clean your filter once a month in normal use.

Intended use

This product is designed for domestic use. Commercial use is not admissible.

The manufacturer shall not be liable for any damage caused by improper use or handling.

Children's safety

- Keep children away from the product when it is operating and do not allow them to play with the product.
- Packaging materials are dangerous to children. Keep the packaging materials in a place where children cannot reach and sort and discard them in accordance with the waste disposal directives.
- Electrical products are dangerous to children. Keep children away from the

product when it is operating and do not allow them to play with the product.

Disposing of the old product

Compliance with the WEEE Directive and Disposing of the Waste Product:



This product complies with EU WEEE Directive (2012/19/EU). This product bears a classification symbol for waste electrical and electronic equipment (WEEE).

This product has been manufactured with high quality parts and materials which can be reused and are suitable for recycling. Do not dispose of the waste product with normal domestic and other wastes at the end of its service life. Take

it to the collection center for the recycling of electrical and electronic equipment. Please consult your local authorities to learn about these collection centers.

Compliance with RoHS Directive:

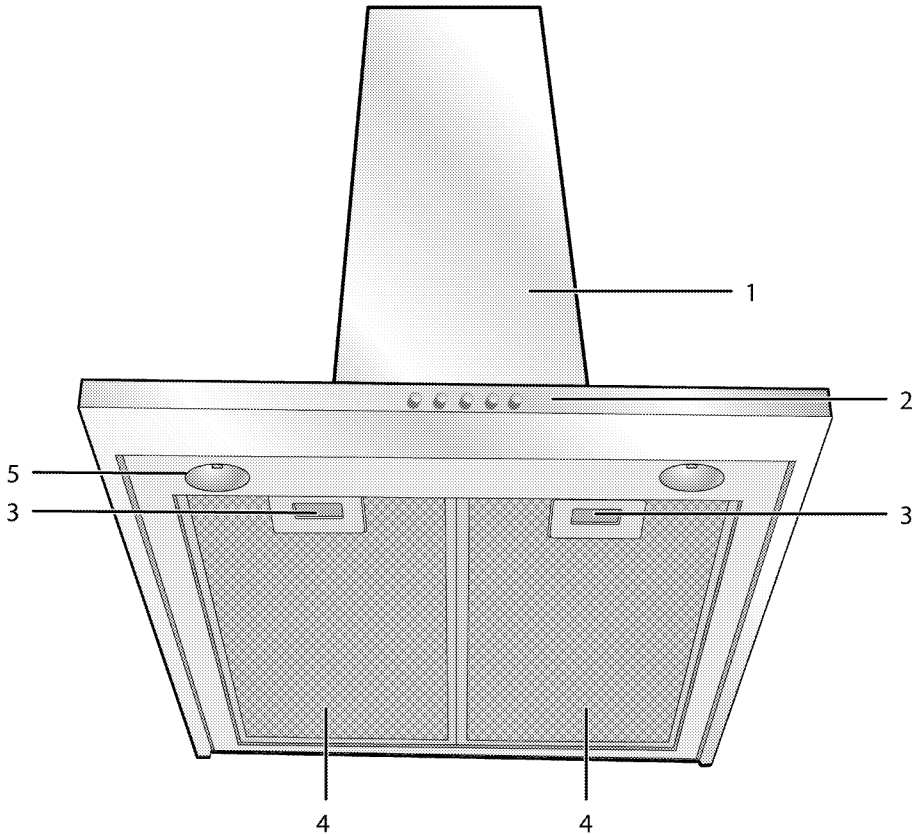
The product you have purchased complies with EU RoHS Directive (2011/65/EU). It does not contain harmful and prohibited materials specified in the Directive.

Package information

- Packaging materials of the product are manufactured from recyclable materials in accordance with our National Environment Regulations. Do not dispose of the packaging materials together with the domestic or other wastes. Take them to the packaging material collection points designated by the local authorities.

2 General information

Overview



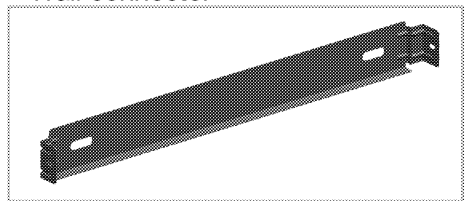
- 1 Hood body
- 2 Control panel
- 3 Aluminum filter lock
- 4 Aluminum filter
- 5 Lamp

Scope of delivery

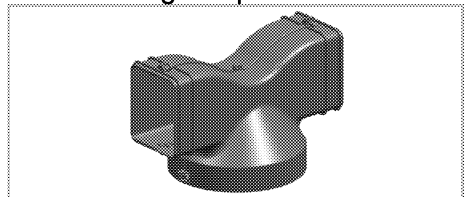
i Accessories supplied can vary depending on the appliance model. Not every accessory described in the user manual may exist on your appliance.

- 1. User manual

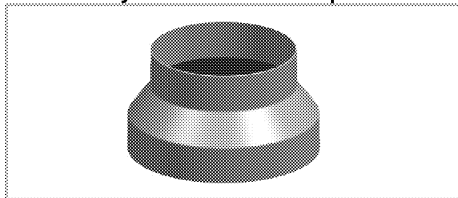
2. Wall connector



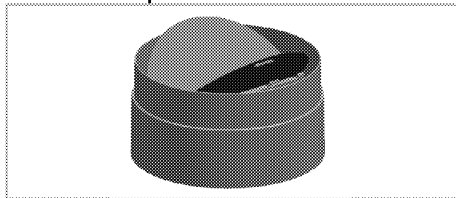
3. Air directing component



4. Chimney connection adapter



5. Valves to prevent reverse air flow



Technical specifications

External dimensions (height/width/depth)	min. 760 mm - max. 927 mm/598 mm/490 mm
Voltage/frequency	220-240 V~; 50 Hz
Control	3 level + 1 Booster
Suction power	730 m ³ /h
Total power consumption	max. 300 W
Air outlet pipe diameter	120-150 mm
LAMP	
Lamp type	Led
Lamp power consumption	3 W
Max. power of a potential replacement lamp	max.2 x 4 W.Led /max.2 x 28 W.Halogen
Voltage/frequency of lamp	230 V~; 50/60 Hz
Type of lamp cap	GU10
Diameter/length of lamp	50 mm /55 mm

i Technical specifications may be changed without prior notice to improve the quality of the product.

i Figures in this manual are schematic and may not exactly match the product.

i Values stated on the markings of the product or in other printed documents supplied with the product are obtained under laboratory conditions as per relevant standards. Depending on operational and environmental conditions of the product, these values may vary.

3 Installation

Refer to the nearest Authorised Service Agent for installation of the product. Make sure that the electric installations are in place before calling the Authorised Service Agent to have the product ready for operation. If not, call a qualified electrician and fitter to have the required arrangements made.

i Preparation of location and electrical installation for the product is under customer's responsibility.

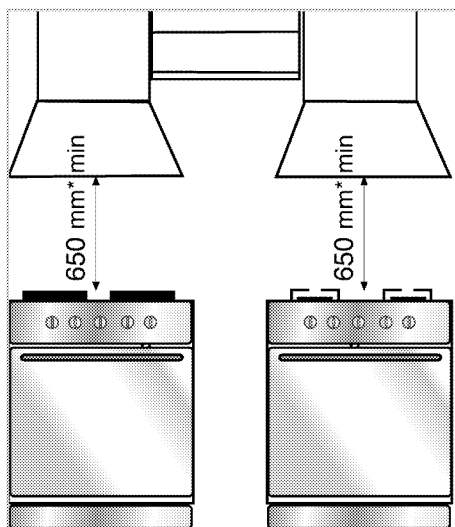
! The product must be installed in accordance with all local electrical regulations.

! Prior to installation, visually check if the product has any defects on it.

If so, do not have it installed.
Damaged products cause risks for your safety.

! Warning: Failure to install the screws or fixing device in accordance with the instructions may result in electrical hazards.

Installation



* min.

There should be a minimum clearance of 650 mm between the top surface of the hob and the bottom surface of the hood. The air to be extracted via the hood should not be connected to a chimney that is used by other appliances that use gas or other fuels. (It does not apply to devices that only blow the air back into the room)

The regulations on air exhaust should be followed.

Electrical connection

Manufactured with 2-track power cable, this device must be connected to the mains by an electrical switch with at least 3mm clearance between bipolar contact leads. Have the electrical connections done by a qualified electrician.

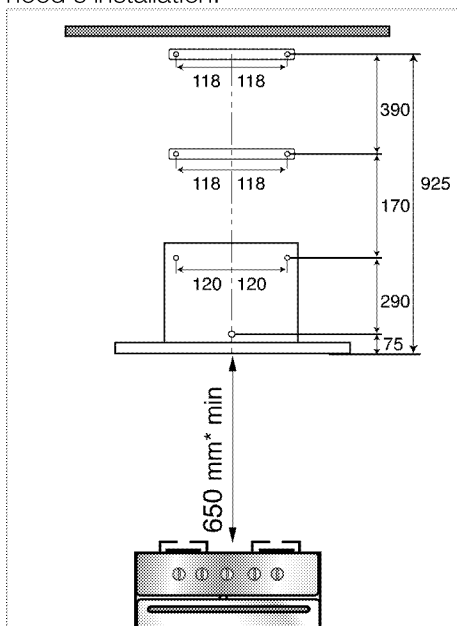
- Install your appliance so that you can reach the power connection (plug, outlet) easily after installation.

Installing the hood

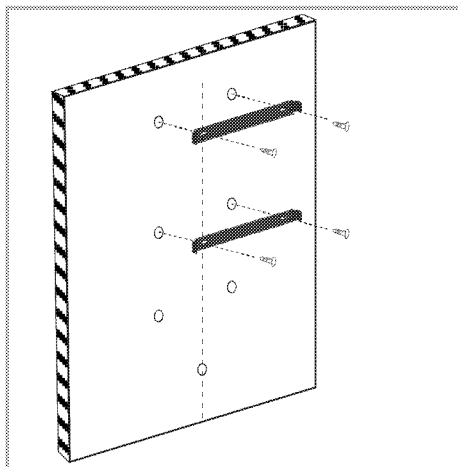
i Measurements are in mm.

The following provides necessary information to prepare the location for hood installation.

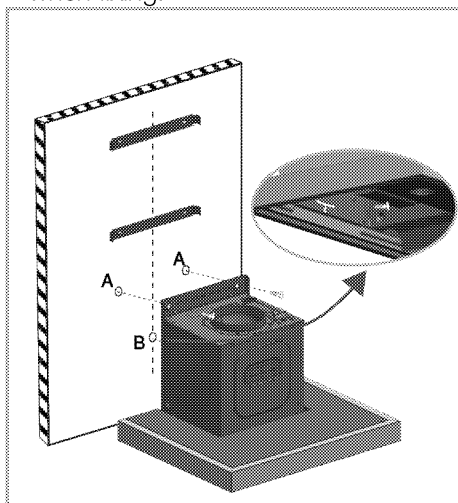
The hood must be installed above the central axis of the cooking appliance. There should be a minimum clearance of 650 mm between the top surface of the hob and the bottom surface of the hood. Please apply the following steps for the hood's installation.



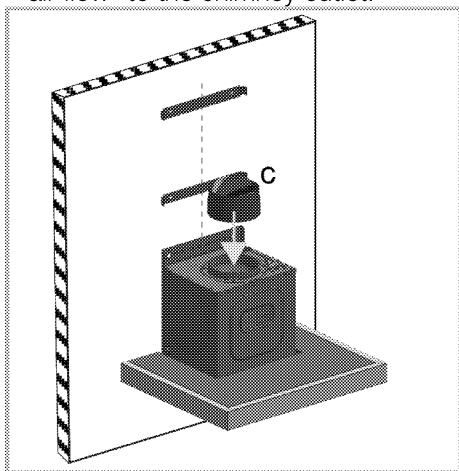
- 1.Centering the cooking appliance, draw an axis line that has the same height as that of the figure above. Then, with reference to this axis line, drill holes according to the dimensions given above to the fasteners supplied with the product.
- 2.Insert the plastic plugs which are given with the packaging into these holes. Check if chimney connectors correspond to those holes or not.



- 3.As shown in the figure above, fix the wall fittings to their corresponding holes using the two fixing screws provided with the accessories.
- 4.Fix the hood to the wall by centering it through the A holes. Remove the aluminum filters of the hood. On the inside, fix the back plate of the hood through the B hole using a screw as shown in the figure below. Make sure that the hood is parallel to the counter when fixing.

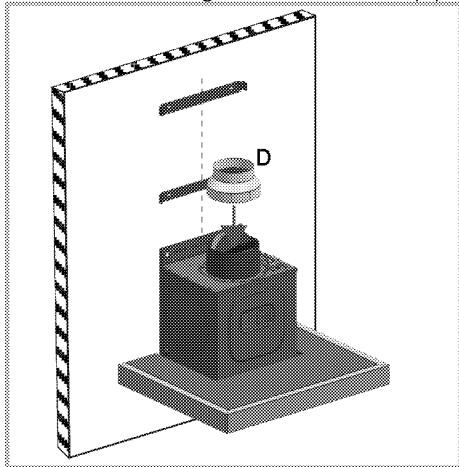


5. As shown in the figure below, place the cover (C) - that prevents reversed air flow - to the chimney outlet.



6. For chimney connection usage:

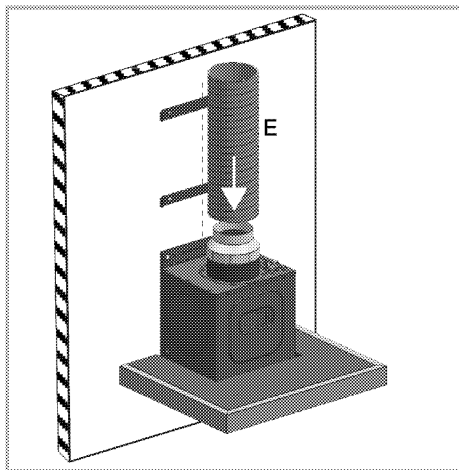
In chimney connection installation, the absorbed air will pass through the aluminium filters and will be expelled to the outside through the connection pipe.



When this connection position is used, chimney connection adapter D is placed on part C as shown in the figure above.

i D chimney connection adaptor will only be used when the chimney connection pipe's diameter is 120mm. If your chimney connection pipe's diameter is 150mm, you will not need to use chimney connection adaptor D and therefore you will need to connect one end of the chimney connection pipe E directly onto cover C.

7. Connect one end of the chimney connection pipe E to the chimney connection adapter and place the other end to the chimney. You can obtain the chimney connection pipe E from the authorized service or from the market



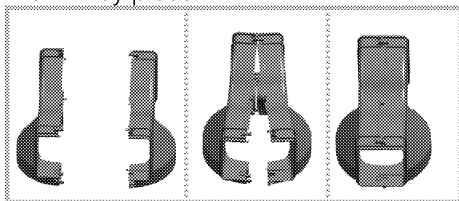
You should make sure that the chimney connection pipes used are made of fireproof plastic material. When using flexible connection pipe, it should be considered that sharp corners and sudden contractions will have a negative impact on air suction.

The hood must never be connected to a chimney to which another device was already connected.

i Connection pipe should not be larger than 120-150 mm; otherwise, proper chimney connection will be prevented.

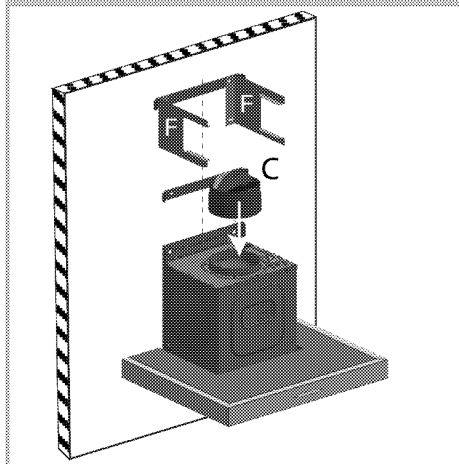
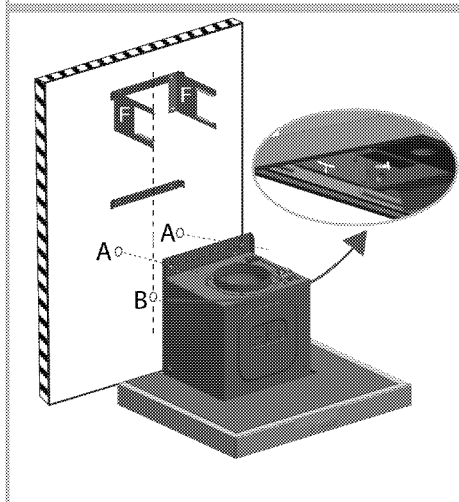
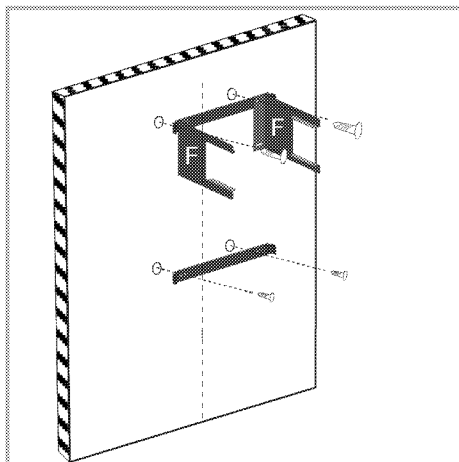
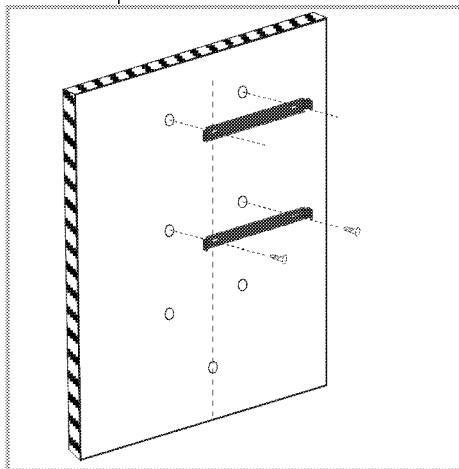
8. Internal circulation (Use with carbon filter)

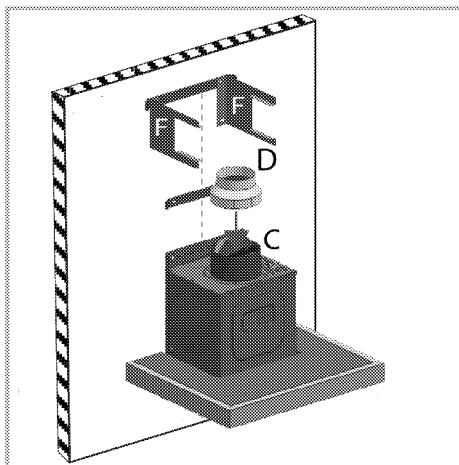
In the position of internal circulation, the air absorbed from the environment will go through aluminium filters and carbon filters, where the smell is eliminated, and pass through air directing component, it is finally sent back to the environment through the ventilation grills on the side of the chimney piece.



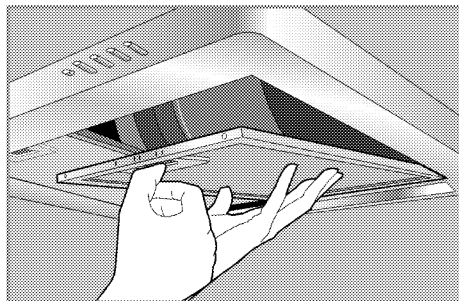
Assemble the air directing component, that is provided as two separate parts, as shown in the figure.

Follow the steps below for use without chimney. You can obtain the chimney connection pipe E and connection elements F from the authorised service provider or from the market.

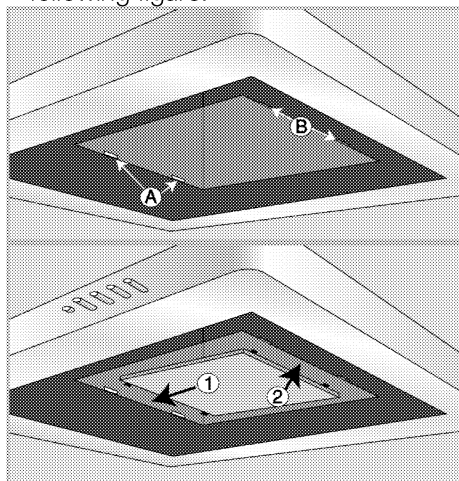
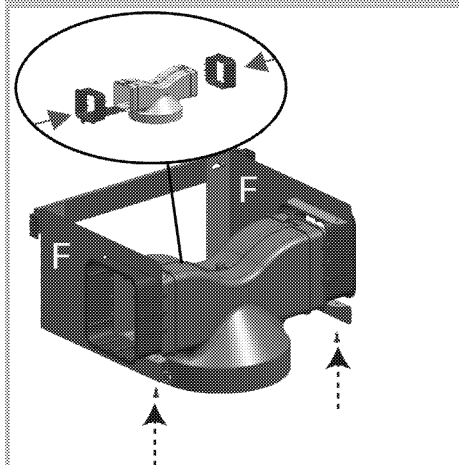




9. Remove aluminum filters as shown below.



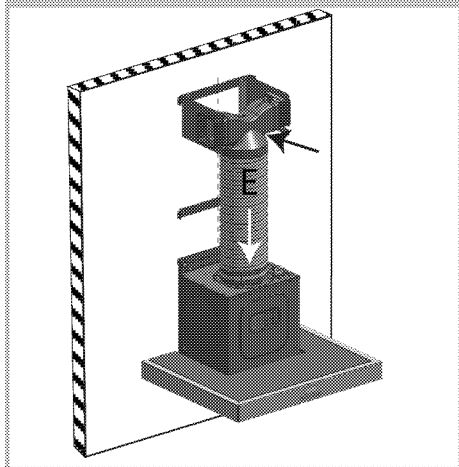
10. Install the carbon filter as per the following figure.

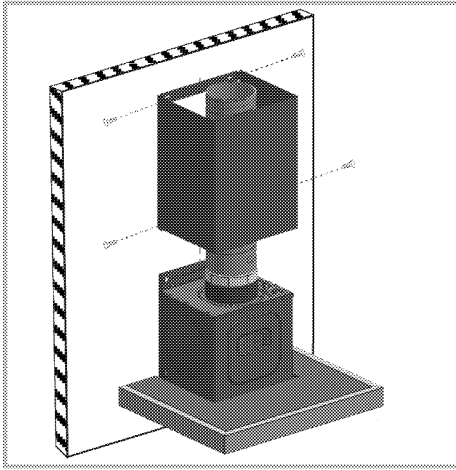


Re-install aluminum filters.

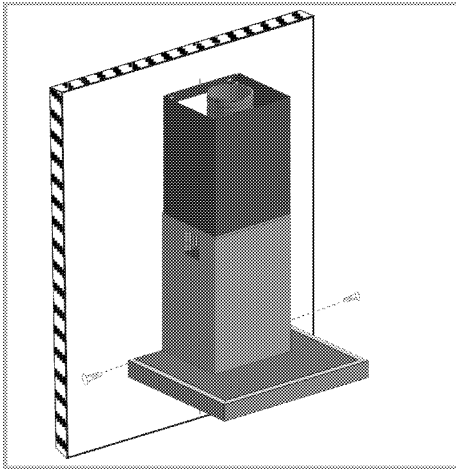
11. Installation of chimney

To install the upper chimney, place its upper corners onto the upper wall connector and use the screws to fix the chimney to the wall connector as shown in the figure below.





To install lower chimney, stretch the chimney by pulling slightly from both sides and secure it onto upper chimney's slots as shown in the figure above.



Fix it to the hood through the two holes on the lower corners of the lower chimney.

You may use the hood in two ways:

1-Chimney-connected use

The steam is expelled via chimney pipe which is secured to the connection ring on the hood. Diameter of chimney pipe should be equal to connection ring. To allow the air easily going out of the room in horizontal arrangements, the pipe should be slightly tilted upwards (approximately 10°).

i If the carbon filter is installed on your hood, remove it when using the hood with the chimney.

2- Use with no chimney connection

Air is filtered through carbon filter and returned to the room. Carbon filter is used when there is no chimney in the house or when it is impossible to install a chimney pipe.

- Install the carbon filter as described in the installation section.

Future transportation

- Keep the product's original carton and transport the product in it. Follow the instructions on the carton. If you do not have the original carton, pack the product in bubble wrap or thick cardboard and tape it securely.

i Do not place any objects onto the product and move it in upright position.

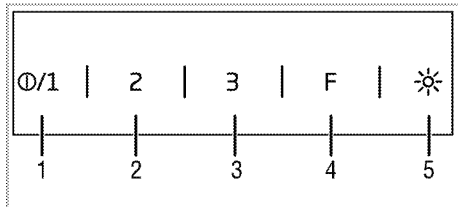
i Check the general appearance of your product for any damages that might have occurred during transportation.

4 Operating the hood

Hood is equipped with a motor with various speed settings.

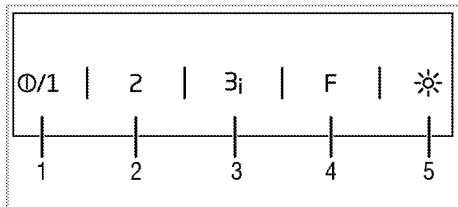
For a better performance, we advise you to use low speeds in normal conditions, and high speeds when smell and vapors are intensified.

MODEL A



- 1 On/off key / Speed 1
- 2 Speed 2
- 3 Speed 3
- 4 Function key
- 5 Lamp key

MODEL B



- 1 On/off key / Speed 1
- 2 Speed 2
- 3 Speed 3 / Booster
- 4 Function key
- 5 Lamp key

Operating the hood

1. Touch the on/off key to switch on the hood.
2. Touch the Speed 2 and Speed 3 keys to change the speed level.

i If you do not touch any key while the product is operating, the lamp and the levels work up to 6 hours.

Level warning lamp level indicator

On/off (Speed 1): 1st level LED light is turned on

Speed 2: 2nd level LED light is turned on

Speed 3: 3rd level LED light is turned on

Booster: (3rd level LED light flashes continuously at 0.5 second intervals)

Automatic power-off mode (for A and B)

1. If you touch the function key while the product is operating at a certain level, auto off mode will be activated, speed key LED light and function key LED light will be turned on.
2. Product will continue to work 20 minutes on set level and after shut on automatically.

i Auto off mode is cancelled when any level key other than the lamp key is touched.

Activating intense ventilation mode (Booster) (for model B)

Touch the Speed 3 key for more than two seconds. Intense ventilation mode will be activated and it will be active for maximum 7 minutes.

After 7 minutes, it will continue to operate in Speed 3 position.

i In the intense ventilation mode, the 3rd level LED light flashes continuously at 0.5 second intervals.

During intense ventilation, if any of the speed keys are touched, then the operation will continue at that speed level.

Turning off the hood

1. Touch the off key for 2 seconds while your hood is operating at a certain speed.

Turning the lamp on

1. Touch the lamp key to turn on the lamp.

Turning off the lamp

1. Touch the lamp key again to turn off the lamp.

i The Off key does not turn off the lamp; it only stops the operation of the hood.

Air filter mode (for model B)

1. Touch the function key while the appliance is not operating at any speed.

» Air filter mode will be activated and the function key LED light will flash at 3 second intervals.

2. Air filter mode will operate for 10 minutes at speed 1 level and then stops for 50 minutes within 1 hour. If the air filter mode will not be turned off, it will continue to operate for 10 minutes and stop 50 minutes for each hour during 24 hours.

i You can utilize air filter mode to remove odor found in-house in long term using low speed.

Turning off the air filter mode (for model B)

1. Turn off the air filtering mode by touching any speed key or touching the off key while the air filtering mode is active.

i While the air filter mode is active, when you turn on and off the appliance at any speed level, the air filter mode will not be remembered.

i While the air filter mode is active, the program will be cancelled if there is a blackout.

Filter full warning (for model B)

After every 100 hours operation, the LED lights on the screen will flash at 0.5 intervals. Clean your filter. Filter full warning will not reset automatically after cleaning.

Filter full warning can be reset by touching any function.

i When the hood gave filter full warning, the warning will not be reset if there is a blackout.

5 Maintenance and care

General information

Service life of the product will extend and frequent problems will decrease if the product is cleaned at regular intervals.

! Disconnect the product from mains supply before starting maintenance and cleaning works. There is the risk of electric shock!

- Clean the product thoroughly after each use. In this way it will be possible to remove cooking residues more easily, thus avoiding these from burning the next time the appliance is used.
- No special cleaning agents are required for cleaning the product. Use warm water with washing liquid, a soft cloth or sponge to clean the product and wipe it with a dry cloth.
- Do not use cleaning agents that contain acid or chloride to clean the stainless or inox surfaces and the handle. Use a soft cloth with a liquid detergent (not abrasive) to wipe those parts clean, paying attention to sweep in one direction.

i The surface might get damaged by some detergents or cleaning materials.

Do not use aggressive detergents, cleaning powders/creams or any sharp objects during cleaning.

i Do not use steam cleaners for cleaning.

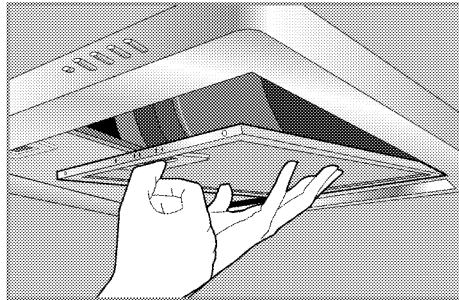
Aluminum filter

This filter captures oil particles in the air.

You are recommended to clean your filter once a month in normal use.

Please firstly remove aluminum filters for this process. Wash the filters in liquid-

detergent water and install them after drying. Aluminum filters might change colour in time due to washing. This is normal and you don't need to replace the filter.



i You can also wash aluminum filters in dishwasher.

Removing aluminum filters

1. Push aluminum filter lock forward.
2. Slightly lower the filter and pull forth. Otherwise, you may bend the filter.
3. After washing, reverse the steps above to re-install the aluminum filter.

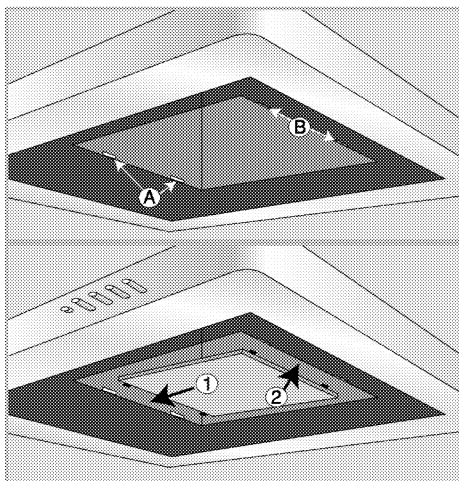
Carbon filter (Use without chimney)

i Carbon filter should never be washed.

It should be replaced once every 4 months in normal use. **You may obtain carbon filters from the Authorised Service.**

Fitting the carbon filter

1. Remove aluminum filters
2. After the filters are removed, insert the side with flexible-short tips of the carbon filter which provided with the product, into the slot A of the hood in direction 1.



3. Insert the long-hard tips found on the other side of the carbon filter into the slot B in direction 2.
4. Ensure that both ends of the carbon filter are secured firmly.

Replacing the lamp

! Before replacing the lamp, make sure that the product is disconnected from mains in order to avoid the risk of an electrical shock. If hot, let the lamp cool down.
Hot surfaces may cause burns!

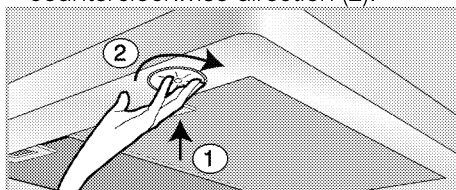
i For the specifications of the lamp, see *Technical specifications*, page 10. Oven lamps can be obtained from Authorised Service Agents.

- i** Position of lamp might vary from the figure.
- i** The lamp used in this appliance is not suitable for household room illumination. The intended purpose of this lamp is to assist the user to see foodstuffs.



Use only with self-shielded tungsten halogen lamps or self-shielded metal halide lamps.

1. Remove the lamp pressing it towards its seat in clockwise direction (1) and then remove turning it in counterclockwise direction (2).



2. Insert the new lamp turning it in clockwise direction.
3. A “click” will be heard when the lamp is secured in its place.

6 Troubleshooting

Product does not operate.

- The mains fuse is defective or has tripped. >>> *Check fuses in the fuse box. If necessary, replace or reset them.*
- Product is not plugged into the socket. >>> *Check the plug connection.*
- Speed button might not be set. >>> *Press the required speed button.*
- Power is cut. >>> *Check if there is power. Check the fuses in the fuse box. If necessary, replace or reset the fuses.*

Hood light does not work.

- Hood lamp is defective. >>> *Replace the hood lamp.*
- Power is cut. >>> *Check if there is power. Check the fuses in the fuse box. If necessary, replace or reset the fuses.*

i Consult the Authorised Service Agent or the dealer where you have purchased the product if you cannot remedy the trouble although you have implemented the instructions in this section. Never attempt to repair a defective product yourself.

Arcelik A.S.

Karaağaç Caddesi No:2-6 Sütlüce, 34445, Turkey

Made in TURKEY

Importer in Russia: «BEKO LLC»

Address: Selskaya street, 49, Fedorovskoe village, Pershinskoe rural settlement, Kirzhach district, Vladimir region, Russian Federation 601021

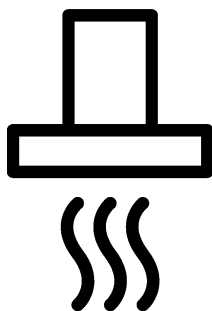
The manufacture date is included in the serial number of a product specified on rating label, which is located on a product, namely: first two figures of serial number indicate the year of manufacture, and last two – the month. For example, "10-100001-05» indicates that the product was produced in May, 2010.

You can ask for certification number from our Call Center 8-800-200-23-56 The manufacturer reserves the right for making changes in modification, design and specification of an electric device.



Campana extractora

Manual del usuario



ES

Lea este manual en primer lugar.

Estimado cliente:

Le agradecemos la compra de un producto Beko. Esperamos que obtenga los mejores resultados de este producto fabricado con materiales de alta calidad y la más avanzada tecnología. Por lo tanto, le rogamos que lea detenidamente el manual de usuario y la documentación que lo acompaña antes de utilizar el producto y los guarde para futuras consultas. Si cede el aparato a un tercero, entréguele también el manual del usuario. Cumpla con todas las advertencias e información del manual de usuario. Recuerde que este manual del usuario puede ser también aplicable a otros modelos. Las diferencias entre los modelos se identificarán en el manual.

Explicación de los símbolos

A lo largo del manual se utilizan los siguientes símbolos:



Información importante y consejos de utilidad acerca de su uso.



Advertencias sobre situaciones de riesgo para la salud o la propiedad.



Peligro de descarga eléctrica.



Peligro de incendio.



Advertencia sobre superficies calientes.



Arçelik A.Ş.
Karaağaç caddesi No:2-6
34445 Sütlüce/Istanbul/TURKEY
Made in TURKEY

TABLA DE CONTENIDOS

1 Instrucciones y advertencias importantes para la seguridad y el medio ambiente **4**

Seguridad general	4
Seguridad eléctrica.....	5
Seguridad del producto	6
Uso previsto	8
Seguridad infantil.....	8
Eliminación del aparato.....	8
Eliminación del material de embalaje.....	9

2 Información general **10**

Información general.....	10
Alcance de la entrega	10
Especificaciones técnicas	11

3 Instalación **12**

Instalación.....	12
Transporte en el futuro.....	18

4 Uso de la campana extractora **19**

5 Mantenimiento y cuidados**21**

Información general	21
Sustitución de la bombilla.....	22

6 Resolución de problemas **23**

1 Instrucciones y advertencias importantes para la seguridad y el medio ambiente

En esta sección se indican instrucciones sobre la seguridad que le ayudarán a evitar riesgos de lesiones y daños materiales. El incumplimiento de estas instrucciones anulará cualquier garantía.

Seguridad general

- Este aparato podrá ser utilizado por niños mayores de 8 años o adultos con sus capacidades físicas, sensoriales o mentales reducidas, o que carezcan de experiencia y conocimientos, siempre y cuando lo hagan bajo la supervisión de una persona responsable de su seguridad o que ésta les haya dado instrucciones acerca de su uso, y que sean conscientes de los riesgos. Los niños no deben jugar con el aparato. Los niños no deben acometer las tareas de limpieza y mantenimiento de usuario sin supervisión.
- Riesgo de intoxicación
Cuando el aparato está en marcha, se absorbe aire de toda la casa. Si no hay una ventilación adecuada, los gases de escape tóxicos emitidos como consecuencia del proceso de combustión volverán a entrar en la casa a través del tiro de la chimenea. No use el aparato junto con fuentes potencialmente emisoras de gases tóxicos y que creen corrientes de aire (estufas de madera, gas, aceite o carbón, calentadores de agua, hervidores, etc.).
- Solicite a una persona autorizada que verifique la existencia en su edificio de una ventilación suficiente y una chimenea de tiro adecuado.
- Este aparato podrá ser utilizado por niños mayores de 8 años o adultos con sus capacidades físicas, sensoriales o mentales reducidas, o que carezcan de experiencia y conocimientos, siempre y cuando lo hagan bajo la supervisión de . Se debe vigilar a los niños para asegurarse de que no jueguen con este electrodoméstico. Los niños

no deben llevar a cabo la limpieza y mantenimiento del aparato a menos que estén supervisados.

- Deje siempre los procedimientos de instalación y reparación en manos de un agente de servicio autorizado.. El fabricante declina toda responsabilidad por los posibles daños derivados de la realización de los citados procedimientos por parte de personas no autorizadas.
- No utilice el aparato si presenta algún defecto o daño visible.
- Asegúrese de apagar el aparato tras cada uso.
- Si da el aparato a otra persona para uso personal o de segunda mano, dele también el manual de instrucciones, las etiquetas del producto y el resto de documentos y piezas correspondientes.
- La instalación del aparato debe correr a cargo de una persona cualificada, en conformidad con las normativas vigentes. De lo contrario, la garantía quedará anulada.

Seguridad eléctrica

- Para poner su producto a punto para el uso, debe preparar de antemano el lugar de la instalación y el cableado eléctrico. A continuación, puede llamar al servicio técnico autorizado más próximo a su domicilio.
- Si el aparato presenta alguna anomalía, no lo use hasta que no lo repare un agente de servicio autorizado. Existe el riesgo de descarga eléctrica.
- Jamás conecte la campana extractora a la red eléctrica antes de finalizar su instalación.
- Jamás toque el enchufe con las manos mojadas. No desenchufe el aparato tirando del cable; hágalo siempre tirando del enchufe.
- Es preciso desconectar el aparato de la red de alimentación eléctrica durante las operaciones de instalación, mantenimiento, limpieza y reparación.
- En caso de que el cable de alimentación esté dañado, deberá solicitar su sustitución al fabricante, su agente de servicio técnico o personal

cualificado similar con el fin de evitar riesgos.

- Jamás conecte el cable de alimentación cerca de las placas. Si el cable se funde, podría provocarse un incendio.
- Deje en manos de personal autorizado y cualificado cualquier operación que deba realizarse sobre sistemas y equipos eléctricos.
- En caso de daños, apague el aparato y desconéctelo de la red eléctrica. Para ello, desconecte el fusible de su hogar.
- Asegúrese de que la corriente del fusible sea compatible con el aparato.
- Jamás lave el producto con agua. Existe el riesgo de descarga eléctrica.

Seguridad del producto

- La altura entre la superficie inferior de la campana extractora y la superficie superior de la placa no debe ser inferior a 650 mm.
- Jamás toque la bombilla de la campana extractora tras un periodo de funcionamiento largo. Las

bombillas calientes pueden ocasionarle quemaduras.

- Jamás use el aparato sin filtro de grasa. Jamás retire los filtros cuando el aparato esté en uso.
- Evite las llamas grandes bajo el producto. De lo contrario, las partículas del filtro de grasa podrían inflamarse y provocar un incendio.
- Encienda las placas tras colocar sobre ellas una cazuela o sartén. De lo contrario, el aumento de la temperatura podría deformar partes de la campana extractora.
- Apague las placas antes de retirar sartenes o cazuelas.
- Evite colocar materiales inflamables bajo la campana extractora.
- No exponga el producto a llamas abiertas debajo de él. La grasa acumulada en el filtro podría prender. No use el aparato sin filtro.
- Nunca deje la cocina desatendida al freír alimentos, ya que el aceite podría inflamarse y causar un incendio. Por lo tanto, tenga cuidado también con las prendas y las cortinas.

- La campana extractora debe limpiarse periódicamente; de lo contrario, existe riesgo de incendio.
- Para eliminar los vapores y olores de cocción del aire de la cocina, deje que la campana extractora siga en funcionamiento unos 15 minutos una vez haya finalizado la cocción.
- Tiene que haber una ventilación adecuada en la habitación cuando la campana de extracción se use al mismo tiempo que dispositivos como quemadores a gas u otros combustibles. (Esto no se aplica a dispositivos que sólo descarguen el aire de nuevo en la habitación).
- Asegúrese de que las salidas de escape de aparatos que se usen en la misma estancia que la campana extractora y que consuman fuel-oil o gas, como por ejemplo calefactores, estén absolutamente aislados o sean herméticos.
- Si hay un aparato que consume fuel-oil o gas en la estancia, esta deberá ventilarse adecuadamente.
- Cuando se use en la misma estancia un aparato no eléctrico junto con la campana extractora, la presión negativa en la misma debe ser de 0,4 mbar como máximo para evitar que la campana vuelva a introducir los gases de escape de dicho aparato en la estancia.
- Jamás conecte la campana extractora a las chimeneas usadas para calentadores o gases de escape, o con llamas que asciendan. Observe las normativas vigentes en cuanto a la evacuación del aire de salida.
- Cuando conecte la campana extractora a una chimenea, use tubos de 120 mm de diámetro. La conexión de los tubos debe ser lo más corta posible y con el mínimo de curvas.
- No cuelgue materiales fácilmente inflamables y combustibles de las asas de la campana extractora.
- Nuestra compañía jamás se hará responsable de los problemas derivados de un uso negligente en el que no se tengan en cuenta las anteriores recomendaciones.

- Hay riesgo de incendio si la limpieza no se lleva a cabo de acuerdo con las instrucciones.
- No flambee debajo de la campana extractora.
- Precaución: Las partes accesibles pueden calentarse cuando se use un aparato de cocción.
- Se recomienda que limpie su filtro una vez al mes en el uso normal.

Uso previsto

Este aparato ha sido diseñado para uso doméstico. No está permitido su uso comercial. El fabricante no asumirá ninguna responsabilidad en caso de daños derivados de un uso o manejo inadecuados.

Seguridad infantil

- Mantenga a los niños alejados del aparato cuando esté en funcionamiento y no les permita jugar con él.
- Los materiales de embalaje son peligrosos para los niños. Guarde los materiales de embalaje en un lugar donde no estén al alcance de los niños y deséchelos de acuerdo con las normas de eliminación de residuos.

- Los productos eléctricos son peligrosos para los niños. Mantenga a los niños alejados del aparato cuando esté en funcionamiento y no les permita jugar con él.

Eliminación del aparato

Conformidad con la normativa WEEE y eliminación del aparato al final de su vida útil:



Este producto es conforme con la directiva de la UE sobre residuos de aparatos eléctricos y electrónicos (WEEE) (2012/19/UE). Este producto incorpora el símbolo de la clasificación selectiva para los residuos de aparatos eléctricos y electrónicos (WEEE). Este aparato se ha fabricado con piezas y materiales de primera calidad, que pueden ser reutilizados y son aptos para el reciclado. No se deshaga del producto junto con sus residuos domésticos normales y de otros tipos al final de su vida útil. Llévelo a un centro de reciclaje de dispositivos eléctricos y electrónicos. Solicite a las autoridades locales información acerca de dichos centros de recogida.

Cumplimiento de la directiva RoHS:

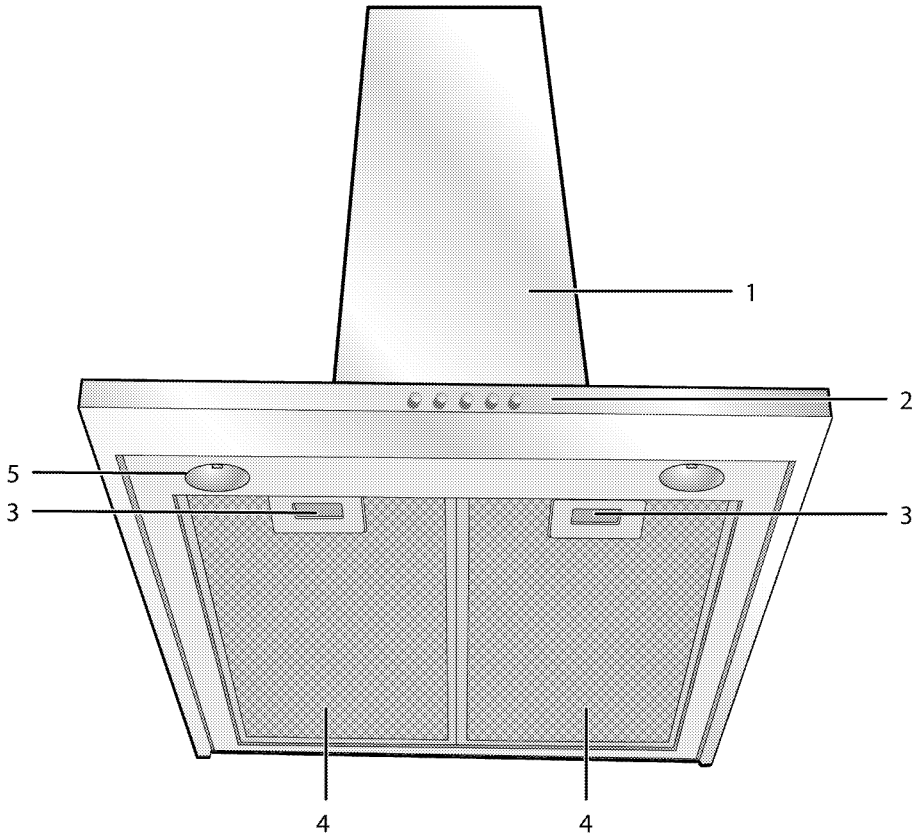
El producto que ha adquirido es conforme con la directiva de la UE sobre la restricción de sustancias peligrosas (RoHS) (2011/65/UE). No contiene ninguno de los materiales nocivos o prohibidos especificados en la directiva.

Eliminación del material de embalaje

- Los materiales de embalaje son peligrosos para los niños. Guarde los materiales de embalaje en un lugar seguro y lejos del alcance de los niños. Los materiales de embalaje del aparato se han fabricado con materiales reciclables. Deshágase de ellos de forma adecuada y clasifíquelos según las instrucciones para el reciclaje de residuos. No los arroje a la basura junto con los residuos domésticos normales.

2 Información general

Información general



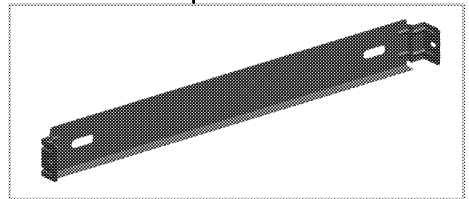
- 1 Cuerpo de la campana extractora
- 2 Panel de control
- 3 Cierre del filtro de aluminio
- 4 Filtro de aluminio
- 5 Bombilla

Alcance de la entrega

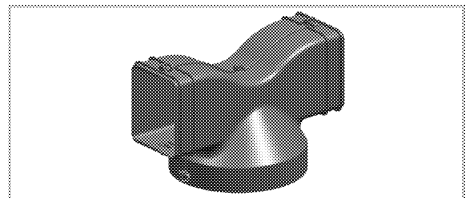
i Los accesorios suministrados pueden variar en función del modelo del aparato. Puede que alguno de los accesorios descritos en el manual del usuario no esté presente en su aparato.

1.Manual del usuario

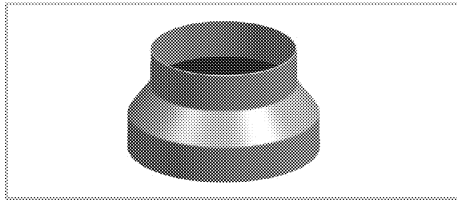
2.Conector de pared



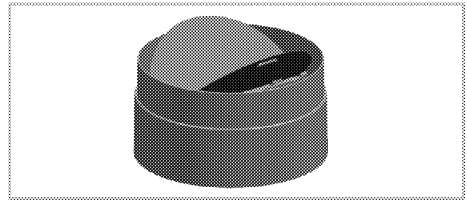
3.Componente de direccionamiento del aire



4. Adaptador de conexión a la chimenea



5. Válvulas para evitar el flujo de aire inverso



Especificaciones técnicas

Dimensiones externas (altura/anchura/profundidad)	mín. 760 mm - máx. 927 mm/598 mm/490 mm
Voltaje/frecuencia	220-240 V~; 50 Hz
Control	3 nivel + 1 Función de refuerzo
Potencia de succión	730 m ³ /h
Consumo energético total	máx. 300 W
Diámetro del tubo de salida de aire	120-150 mm
BOMBILLA	
Tipo de bombilla	Led
Consumo energético de la bombilla	3 W
Potencia máxima de una posible bombilla de sustitución	máx.2 x 4 W.Led /máx.2 x 28 W.Halógena
Voltaje/frecuencia de la bombilla	230 V~; 50/60 Hz
Tipo de casquillo	GU10
Diámetro/longitud de la bombilla	50 mm /55 mm

i Las especificaciones técnicas pueden cambiar sin previo aviso con el fin de mejorar la calidad del producto.

i Las ilustraciones presentes en el manual son esquemáticas y es posible que no se correspondan exactamente con su aparato.

i Los valores especificados en las marcas del producto o en otros documentos impresos que lo acompañen han sido obtenidos en condiciones de laboratorio, en conformidad con los estándares pertinentes. Estos valores pueden variar en función de las condiciones de funcionamiento y entorno del aparato.

3 Instalación

Deje la instalación del aparato en manos del servicio técnico autorizado más cercano. Asegúrese de que la instalación eléctrica esté hecha antes de solicitar al agente de servicio autorizado la puesta a punto del aparato. Si no lo está, solicite a un técnico cualificado la realización de las acciones pertinentes.

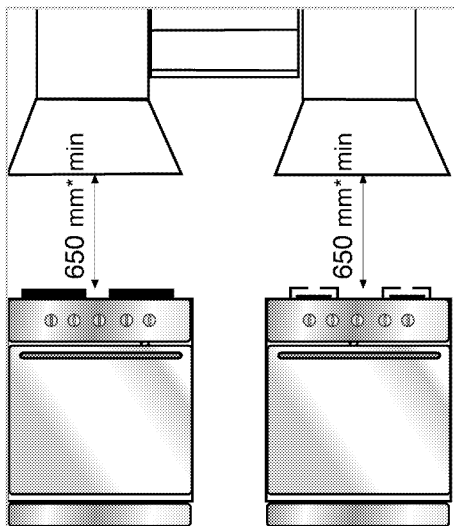
i La preparación de la ubicación del aparato y la instalación eléctrica son responsabilidad del cliente.

! La instalación del electrodoméstico debe llevarse a cabo en conformidad con todas las normativas locales sobre electricidad.

! Antes de proceder a la instalación, compruebe visualmente si el aparato presenta alguna anomalía. Si fuese el caso, no lo instale. Los productos con anomalías suponen un riesgo para la seguridad.

! Advertencia: No colocar los tornillos o el dispositivo de sujeción de acuerdo con las instrucciones puede causar riesgos eléctricos.

Instalación



* mín.

Debe haber una distancia mínima de 650 mm entre la superficie superior de la placa y la superficie inferior de la campana extractora.

El aire extraído por la campana extractora no debe evacuarse por una chimenea conectada a otros aparatos que usen gas u otros combustibles. (Esto no se aplica a dispositivos que se limiten a descargar el aire de nuevo en la estancia)

Observe la normativa vigente sobre gases de escape.

Conexión eléctrica

Este aparato se ha fabricado con cable de alimentación de dos conductores y debe conectarse a la red eléctrica mediante un interruptor eléctrico cuyos contactos bipolares deben tener una separación de al menos 3 mm. Deje las conexiones eléctricas en manos de un electricista cualificado.

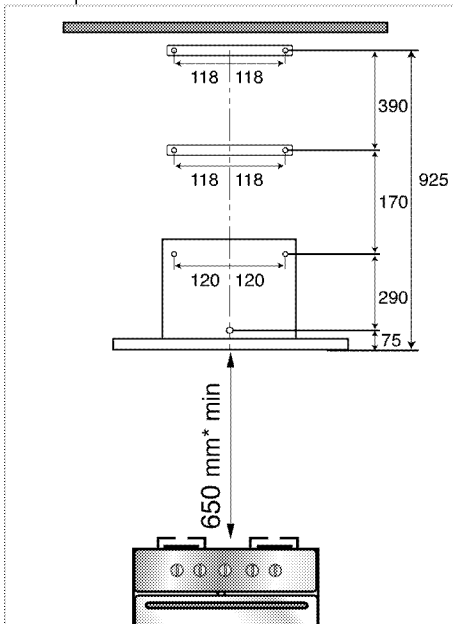
- Instale el aparato de modo que la conexión eléctrica (toma, enchufe) quede al alcance de la mano.

Instalación de la campana extractora

i Todas las dimensiones se expresan en mm.

Davumbazınızı takacağınız yeri uygun hale getirmek için gerekli bilgiler aşağıda yer almaktadır.

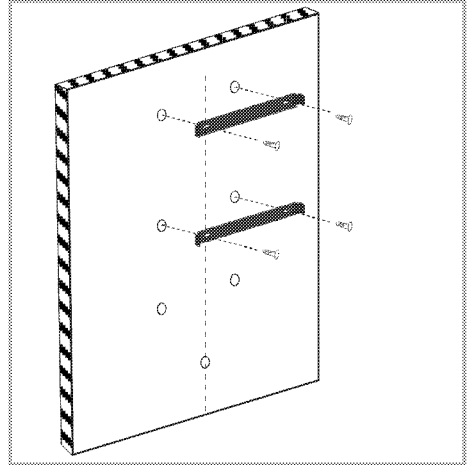
La campana extractora debe instalarse sobre el eje central del aparato de cocina. Debe haber una distancia mínima de 650 mm entre la superficie superior de la placa y la superficie inferior de la campana extractora. Para instalar la campana extractora, siga estos pasos.



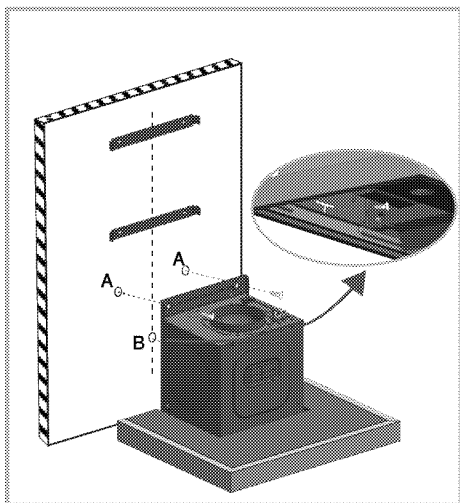
1. Tras centrar el aparato de cocina, dibuje un eje que tenga la misma altura que en la anterior figura. A continuación, teniendo como referencia este eje y según las medidas anteriores, practique los orificios del mismo diámetro que las

fijaciones suministradas con el producto.

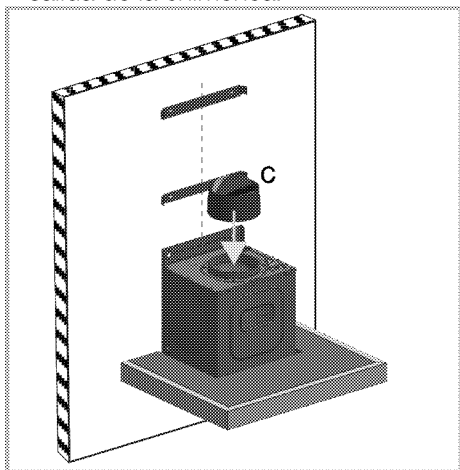
2. Inserte en ellos los tacos de plástico suministrados junto con el aparato. Compruebe si los conectores de la chimenea se corresponden con esos orificios o no.



3. Fije las fijaciones de pared en los orificios correspondientes mediante los dos tornillos de fijación suministrados con los accesorios, tal como se muestra en la figura anterior.
4. Fije la campana extractora a la pared centrándola a través de los orificios A. Retire los filtros de aluminio de la campana extractora. En el interior, fije la placa trasera de la campana extractora a través del orificio B mediante un tornillo, tal y como se muestra en la figura anterior. Asegúrese de que la campana extractora esté en paralelo con la encimera al fijarla.

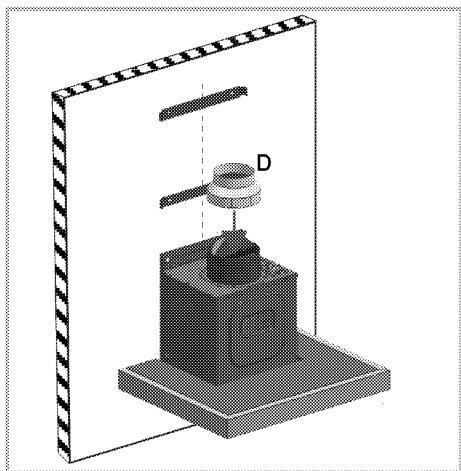


5. Tal como se muestra en la figura siguiente, coloque la cubierta (C), que evita el flujo de aire inverso, en la salida de la chimenea.



6. **Para el uso con conexión a una chimenea:**

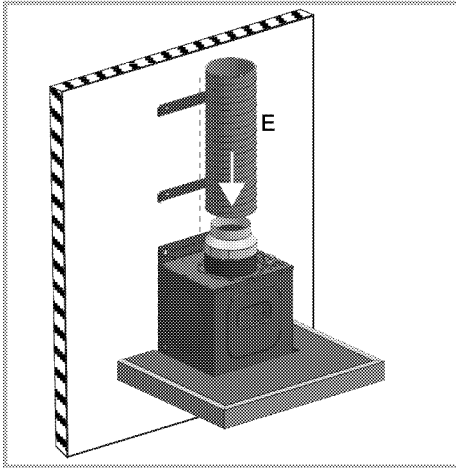
En la instalación de la conexión de la chimenea, el aire absorbido pasará por los filtros de aluminio y se expulsará al exterior por el tubo de conexión.



Cuando use esta posición de conexión, el adaptador de la conexión a la chimenea D se colocará en la pieza C tal como se muestra en la figura anterior.

i El adaptador de la conexión de la chimenea D solo se usará cuando el diámetro del tubo de conexión sea 120 mm. Si el diámetro de la tubería de conexión de su chimenea es de 150 mm, no tendrá necesidad de usar el adaptador de la conexión de la chimenea D y por lo tanto no será necesario que conecte un extremo de la tubería de conexión E directamente a la cubierta C.

7. Conecte un extremo de la tubería de conexión a la chimenea E al adaptador de la conexión de la chimenea, y coloque el otro extremo en la chimenea. Puede adquirir la tubería de conexión a la chimenea E en el servicio autorizado o en cualquier establecimiento

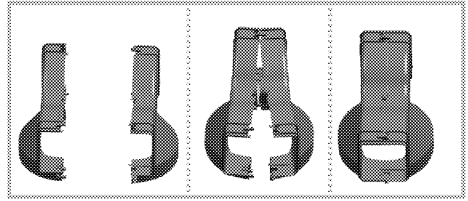


Asegúrese de que los tubos de conexión de la chimenea sean de material plástico ignífugo. Al usar una tubería de conexión flexible, debe tenerse en cuenta que las esquinas pronunciadas y las contracciones súbitas tendrán un efecto negativo sobre la succión de aire. No conecte jamás la campana extractora a una chimenea a la que haya conectado ya otro aparato.

i El tubo de conexión no debe superar los 120-150 mm; de lo contrario, la conexión con la chimenea no será adecuada.

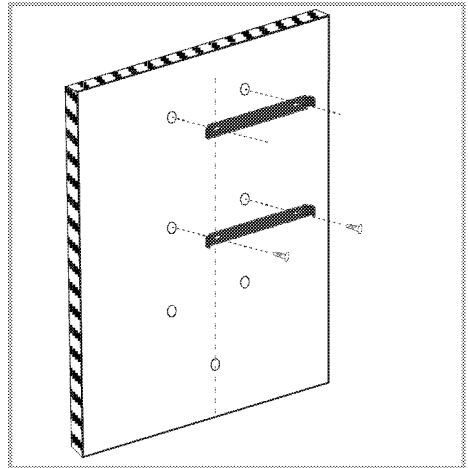
8. Circulación interna (usar con filtro de carbono)

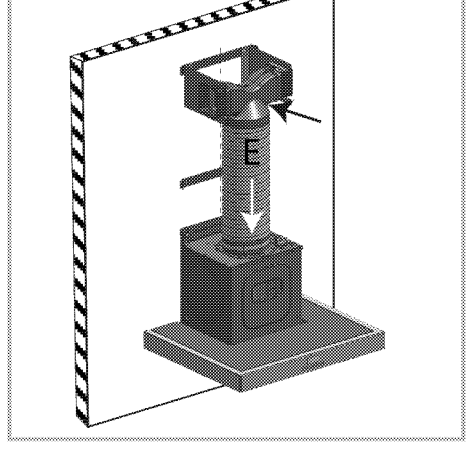
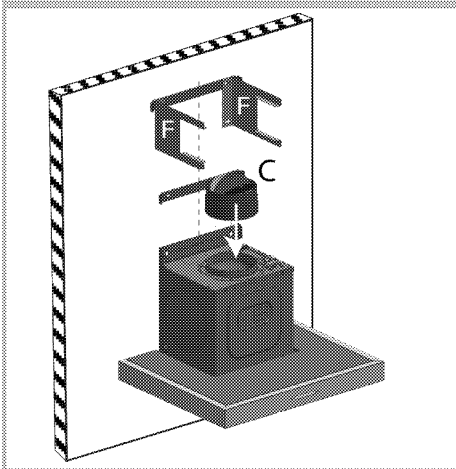
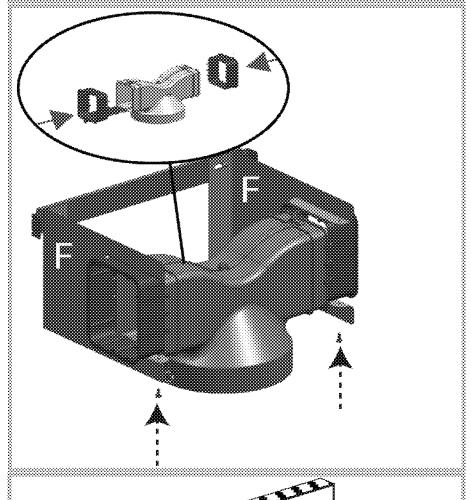
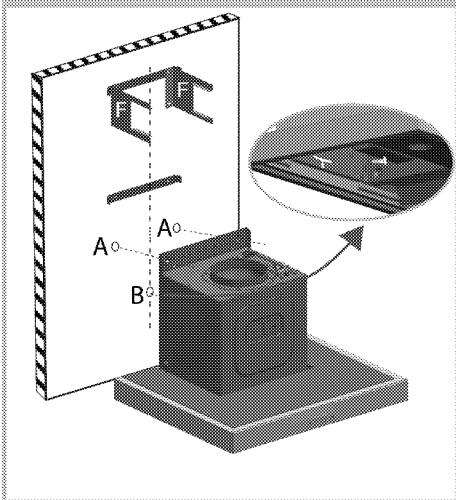
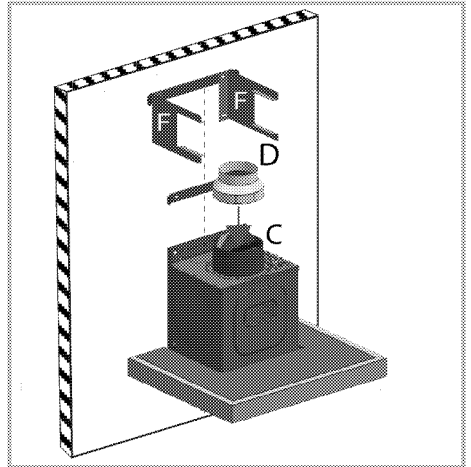
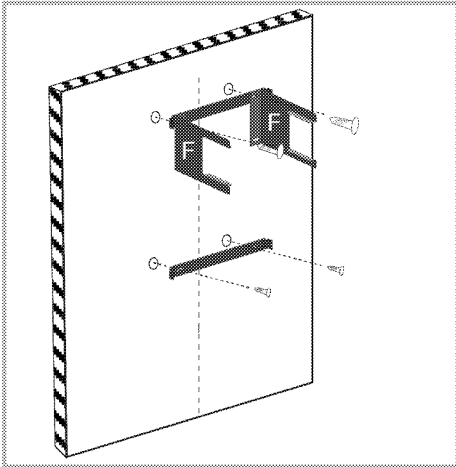
En la posición de circulación interna, el aire absorbido desde el entorno pasará por filtros de aluminio y de carbono, que eliminarán los olores, y a continuación pasarán por componentes de direccionamiento del aire, para finalmente emitirse a la estancia a través de las rejillas de ventilación del lado de la chimenea.



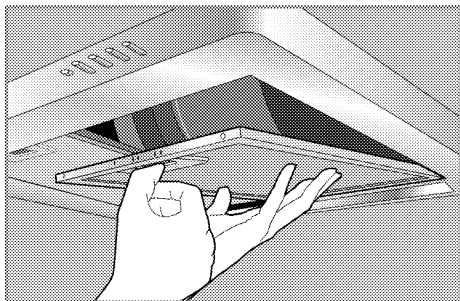
Monte el componente de direccionamiento del aire, que se suministra como dos piezas independientes, tal como muestra la figura.

Por favor, siga los siguientes pasos para utilizarlo sin campana de chimenea. Puede adquirir la tubería de conexión a la campana de chimenea E y los elementos de conexión en el servicio autorizado o en cualquier establecimiento.

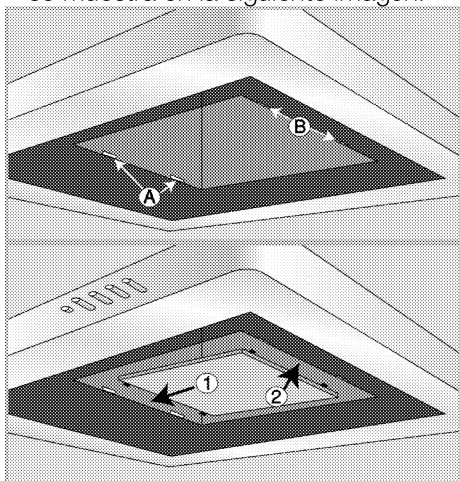




9. Retire los filtros de aluminio tal como se muestra a continuación.



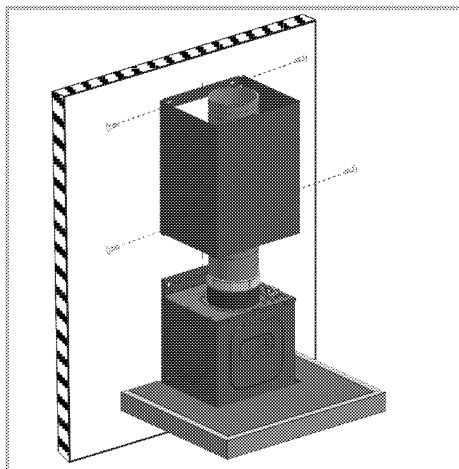
10. Instale el filtro de carbono tal como se muestra en la siguiente imagen.



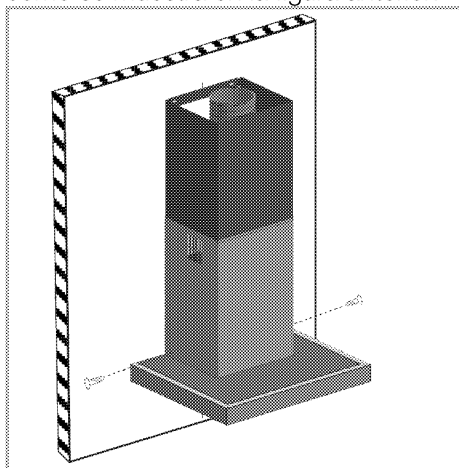
Vuelva a colocar los filtros de aluminio.

11. Instalación de la chimenea

Para instalar la chimenea superior, coloque las esquinas superiores en el conector de pared superior y fije la chimenea al conector mediante los tornillos tal como se muestra en la siguiente figura.



Para instalar la chimenea inferior, ensanche la chimenea tirando suavemente de ambos lados y fíjela a las ranuras de la chimenea superior tal como se muestra en la figura anterior.




Fíjela a la campana extractora por los dos orificios de las esquinas inferiores de la chimenea inferior.

Puede usar la campana extractora de dos formas:

1 - Conectada a una chimenea

El vapor se expulsa a través de la tubería de la chimenea, fijado al anillo de conexión de la campana extractora. El diámetro de la tubería de la chimenea debe ser igual al diámetro del anillo de conexión. Para facilitar la salida del aire de la sala en disposiciones horizontales, la tubería debe estar ligeramente inclinada hacia arriba (aproximadamente 10°).

 Si su campana extractora tiene instalado un filtro de carbono, retírelo cuando use la campana con la chimenea.

2 - Sin conexión a una chimenea


El aire es filtrado por el filtro de carbono y devuelto a la estancia. El filtro de carbono se usa cuando no hay una chimenea disponible en la casa o


cuando no es posible instalar un tubo de chimenea.

- Instale el filtro de carbono tal como se muestra en la sección de instalación.

Transporte en el futuro

- Guarde la caja de cartón original del aparato y transporte en ella el producto. Siga las instrucciones indicadas en la caja. Si no dispone de la caja de cartón original, envuelva el aparato en plástico de burbujas o cartón grueso y sujételo con cinta adhesiva.

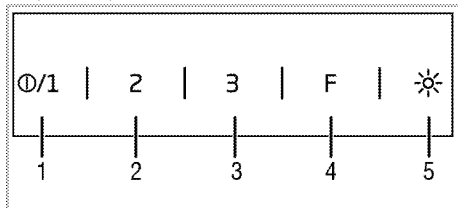
 No coloque ningún objeto sobre el aparato y desplácelo en posición vertical.

 Compruebe el aspecto general del aparato con el fin de identificar posibles daños producidos durante el transporte.

4 Uso de la campana extractora

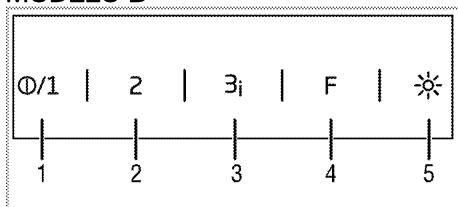
La campana extractora incorpora un motor con varios ajustes de velocidad. Para lograr mejores resultados, se recomienda usar velocidades bajas en condiciones normales y velocidades altas cuando haya mucho humo u olores fuertes.

MODELO A



- 1 Tecla de encendido/apagado / Velocidad 1
- 2 Velocidad 2
- 3 Velocidad 3
- 4 Tecla de función
- 5 Tecla de la lámpara

MODELO B



- 1 Tecla de encendido/apagado / Velocidad 1
- 2 Velocidad 2
- 3 Velocidad 3 / Función de refuerzo
- 4 Tecla de función
- 5 Tecla de la lámpara

Uso de la campana extractora

1. Pulse la tecla de encendido/apagado para poner en marcha la campana extractora.
2. Pulse las teclas Velocidad 2 y Velocidad 3 para cambiar el nivel de velocidad.

- i** Se cancelará el modo de apagado automático cuando se pulse cualquier tecla excepto la tecla de la lámpara.

Piloto de aviso de nivel - indicador de nivel

Encendido/apagado (Velocidad 1): La luz LED de primer nivel se enciende

Velocidad 2: La luz LED de segundo nivel se enciende

Velocidad 3: La luz LED de tercer nivel se enciende

Función de refuerzo: (La luz LED de tercer nivel parpadea de forma continua a intervalos de 0,5 segundos)

Modo de apagado automático (para A y B)

1. Si toca la tecla de función mientras el aparato funciona a cierto nivel, se activará el modo de apagado automático, y los LED de la tecla de velocidad y de la tecla de función se encenderán.
2. El aparato seguirá funcionando 20 minutos en el nivel fijado y a continuación se apagará automáticamente.

- i** Se cancelará el modo de apagado automático cuando se pulse cualquier tecla distinta de la tecla de la lámpara.

Activación del modo de ventilación intensa (refuerzo) (para el modelo B)

Pulse la tecla de velocidad 3 durante más de dos segundos. El modo de ventilación intensa se activará y permanecerá en funcionamiento durante un máximo de 7 minutos.

Al cabo de 7 minutos, el aparato seguirá operando en la posición de velocidad 3.

i En el modo de ventilación intensa, la luz LED de tercer nivel parpadea de forma continua a intervalos de 0,5 segundos.

Durante la ventilación intensa, si se pulsa alguno de los botones de velocidad, el aparato seguirá funcionando en ese nivel de velocidad.

Apagado de la campana extractora

1. Presione la tecla de apagado durante 2 segundos cuando la campana esté funcionando a una cierta velocidad.

Encendido de la lámpara

1. Pulse la tecla de la lámpara para encender la lámpara.

Apagado de la lámpara

1. Pulse de nuevo la tecla de la lámpara de nuevo para apagarla.

i La tecla de apagado no apaga la lámpara, solo detiene el funcionamiento de la campana extractora.

Modo de filtro de aire (para el modelo B)

1. Toque la tecla de función cuando el aparato no funcione a ninguna velocidad.
» El modo de filtro de aire se activará y el LED de la tecla de función parpadeará a intervalos de 3 segundos.
2. El modo de filtro de aire funcionará durante 10 minutos a velocidad 1 y a continuación permanecerá 50 minutos detenido. Si el modo de filtro de aire no se desactiva, el aparato seguirá operando durante 10 minutos y

permaneciendo apagado 50 minutos cada hora de las siguientes 24 horas.

i Puede usar el modo de filtro de aire para eliminar los olores de fondo de la casa usando la velocidad baja.

Apagado del modo de filtro de aire (para el modelo B)

1. Toque cualquier tecla de velocidad o la tecla de apagado para apagar el modo de filtro de aire cuando éste esté activo.

i Cuando el modo de filtro de aire esté activo, al encender y apagar el aparato en nivel de velocidad, no se recordará el modo de filtro de aire.

i Con el modo de filtro de aire activo, el programa se cancelará en caso de apagón eléctrico.

Aviso de filtro lleno (para el modelo B)

Cada 100 horas de funcionamiento, las luces LED de la pantalla parpadearán a intervalos de 0,5 segundos. Limpie el filtro. El piloto de aviso de filtro lleno no se reiniciará automáticamente tras la limpieza.

El piloto de aviso de filtro lleno puede reiniciarse tocando cualquier función.

i Si el piloto de aviso está activo, no se reiniciará en caso de apagón eléctrico.

5 Mantenimiento y cuidados

Información general

La limpieza a intervalos regulares del aparato prolongará su vida útil y reducirá la frecuencia de aparición de los problemas más frecuentes.



Desconecte el producto de la red de alimentación antes de iniciar las tareas de mantenimiento y limpieza.

Existe el riesgo de descarga eléctrica.

- Limpie el producto concienzudamente después de cada uso. De esta manera eliminará los residuos de alimentos con mayor facilidad, evitando que se quemen la próxima vez que utilice el aparato.
- No es necesario utilizar agentes limpiadores especiales para limpiar el aparato. Limpie el aparato con un paño suave o esponja humedecido en agua caliente con un producto limpiador y séquelo con un paño suave.
- No utilice productos de limpieza que contengan ácido o cloro para limpiar las superficies inoxidable y el asa. Utilice un paño suave con un detergente líquido no abrasivo para la limpieza de esas partes, procurando pasar el paño siempre la misma dirección.



La superficie podría resultar dañada por la acción de algunos detergentes o agentes de limpieza.

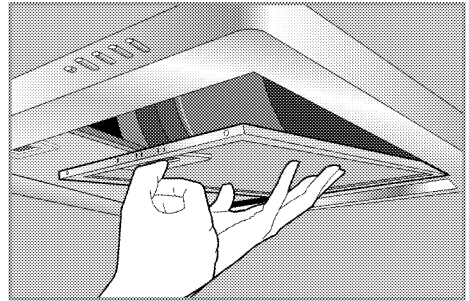
No utilice detergentes agresivos, polvos/cremas limpiadoras, ni tampoco ningún objeto afilado.



No utilice limpiadores al vapor para la limpieza.

Filtro de aluminio

Este filtro capta las partículas de grasa del aire. **Se recomienda que limpie su filtro una vez al mes en el uso normal.** Antes retire los filtros de aluminio. Lave los filtros en agua con detergente líquido e instálelos tras secarlos. Puede que, con el tiempo, los filtros de aluminio se decoloren debido al lavado. Esto es normal y no será necesario sustituir el filtro.



Los filtros de aluminio pueden lavarse en lavavajillas.

Retirada de los filtros de aluminio

1. Empuje el cierre del filtro de aluminio hacia adelante.
2. Baje ligeramente el filtro y empújelo hacia adelante. De lo contrario, podría doblarlo.
3. Tras el lavado, aplique los pasos anteriores en orden inverso para volver a instalar el filtro de aluminio.

Filtro de carbono (uso sin chime-nea)

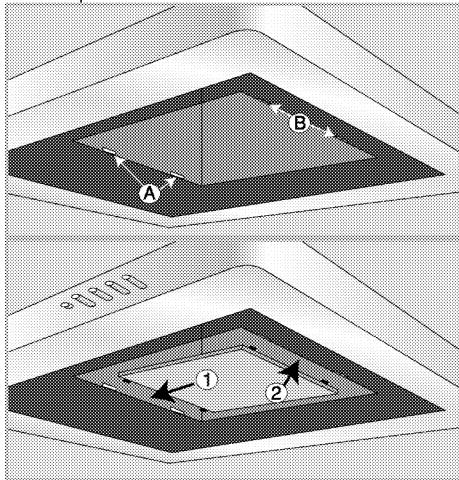


El filtro de carbono no debe lavarse nunca.

Debe sustituirse cada 4 meses de uso normal. **Puede solicitar filtros de carbono de repuesto a su servicio autorizado.**

Colocación del filtro de carbono

1. Retire los filtros de aluminio
2. Una vez retirados, inserte el filtro de carbono proporcionado junto con el aparato por el lado con las puntas cortas flexibles en la ranura A de la campana extractora en la dirección 1.



3. Inserte las puntas largas y rígidas del otro lado del filtro de carbono en la ranura B en la dirección 2.
4. Asegúrese de que ambos extremos del filtro de carbono estén firmemente asentados.

Sustitución de la bombilla

- !** Antes de sustituir la bombilla, asegúrese de que el aparato esté desconectado de la alimentación con el fin de evitar el riesgo de una descarga eléctrica. Si la bombilla está caliente, deje que se enfríe.
Las superficies calientes pueden causar quemaduras.

i Consulte las especificaciones de la bombilla en *Especificaciones técnicas, pág. 11*. Puede solicitar bombillas de horno de recambio a los agentes de servicio autorizados.

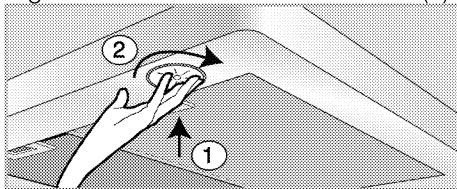
i La posición de la lámpara puede variar con respecto a la ilustración.

i La luz utilizada en este electrodoméstico está pensada para la iluminación de una estancia doméstica. La finalidad de esta lámpara es ayudar al usuario a ver los productos alimenticios.



Utilice solo bombillas halógenas de tungsteno autoprotectidas o bombillas de haluro metálico autoprotectidas.

1. Retire la bombilla empujándola contra su asiento en la dirección de las agujas del reloj (1) y extráigala girándola en la dirección contraria (2).



2. Inserte la bombilla nueva girándola en el sentido de las agujas del reloj.
3. Cuando la bombilla se asiente en su sitio se escuchará un "clic".

6 Resolución de problemas

El aparato no funciona.

- El fusible de la red eléctrica está defectuoso o se ha disparado. >>> *Compruebe los fusibles de la caja de fusibles. En caso necesario, sustitúyalos o reinícelos.*
- El aparato no está conectado a la toma. >>> *Compruebe la conexión del enchufe.*
- Es posible que no se haya ajustado el botón de velocidad. >>> *Presione el botón de velocidad requerido.*
- Hay un corte en el suministro de fluido eléctrico. >>> *Compruebe si hay corriente eléctrica. Compruebe los fusibles de la caja de fusibles. En caso necesario, sustitúyalos o reinícelos.*

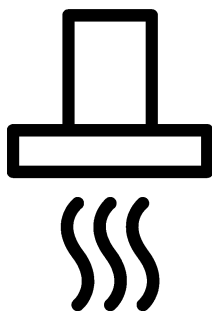
La luz de la campana extractora no funciona.

- La bombilla de la campana extractora está defectuosa. >>> *Sustituya la bombilla de la campana extractora.*
- Hay un corte en el suministro de fluido eléctrico. >>> *Compruebe si hay corriente eléctrica. Compruebe los fusibles de la caja de fusibles. En caso necesario, sustitúyalos o reinícelos.*

i Si una vez implementado el remedio propuesto en esta sección el problema no se soluciona, consulte al servicio técnico autorizado o al distribuidor en donde adquirió el aparato. Nunca trate de reparar un producto defectuoso por sus propios medios.



Okapu
Instrukcja użytkowania



PL

Prosimy najpierw przeczytać tę instrukcję obsługi!

Drogi Kliencie,

Dziękujemy za wybór produktu firmy Beko. Mamy nadzieję, że wyrób ten, wyprodukowany zgodnie z najwyższymi wymogami jakościowymi i według najnowszej technologii, służyć Ci będzie jak najlepiej. Prosimy zatem przed użyciem tego wyrobu uważnie przeczytać całą tę instrukcję obsługi i wszystkie inne dostarczone z nim dokumenty i zachować je do wglądu w przyszłości. Jeśli przekażesz ten wyrób komuś innemu, oddajcie mu także tę instrukcję. Przestrzegaj wszelkich ostrzeżeń i informacji z tej instrukcji.

Pamiętaj, że niniejsza instrukcja użytkowania może odnosić się także do kilku innych modeli. Różnice pomiędzy modelami wskazano w niniejszej instrukcji.

Objaśnienie symboli

W niniejszej instrukcji użytkowania stosuje się następujące symbole:



Ważna informacja lub przydatna wskazówka dot. użytkowania



Ostrzeżenie przed zagrożeniem dla życia i mienia.



Ostrzeżenie przed porażeniem elektrycznym.



Ostrzeżenie przed zagrożeniem pożarem.



Ostrzeżenie przed gorącymi powierzchniami.

Niniejsze urządzenie jest zgodne z następującymi

Dyrektywami Unii Europejskiej:

- 2006/95/WE LVD (Niskie Napięcia)

- 2004/108/WE EMC (Kompatybilność Elektromagnetyczna)

Importer: Beko S.A.



Ul. Puławska 366, 02-819 Warszawa, www.beko.pl

1 Ważne instrukcje i ostrzeżenia dotyczące bezpieczeństwa i ochrony środowiska 4

Ogólne zasady bezpieczeństwa.....	4
Bezpieczeństwo elektryczne	5
Zasady zachowania bezpieczeństwa przy użytkowaniu tego wyrobu.....	6
Zamierzone przeznaczenie.....	8
Bezpieczeństwo dzieci.....	8
Stare urządzenia	8
Pozbywanie się materiałów opakowaniowych	9

2 Informacje ogólne 10

Opis urządzenia	10
Zakres dostawy.....	10
Dane techniczne	11

3 Instalacja 12

Montaż	12
Przyszły transport	18

4 Obsługa okapu 19**5 Czyszczenie i konserwacja21**

Informacje ogólne	21
Wymiana lampy	22

6 Rozwiązywanie problemów23

1 Ważne instrukcje i ostrzeżenia dotyczące bezpieczeństwa i ochrony środowiska

W rozdziale tym zawarto instrukcje zachowania bezpieczeństwa, które pomogą uniknąć zagrożenia obrażeniem lub szkodą. Nieprzestrzeganie tych instrukcji spowoduje unieważnienie wszelkich gwarancji.

Ogólne zasady bezpieczeństwa

- Urządzenie może być używane przez dzieci w wieku 8 lat i starsze oraz osoby o ograniczonych zdolnościach fizycznych, czuciowych lub umysłowych, lub nieumiejętne i niedoświadczone, jeśli są pod nadzorem lub poinstruowano je w sprawach użytkowania tego urządzenia w sposób bezpieczny i rozumieją związane z tym zagrożenia. Dzieci nie powinny bawić się tym urządzeniem. Dzieciom bez nadzoru nie należy powierzać czyszczenia ani konserwacji.
- Zagrożenie zatruciem! Podczas pracy tego urządzenia zasysane jest powietrze w całym domu. Jeśli nie zapewni się odpowiedniej wentylacji, uwalniane w wyniku spalania spaliny i gazy toksyczne będą wciągane z powrotem do domu przez ciąg kominowy. Nie używaj tego urządzenia razem ze źródłami, które mogą emitować gazy toksyczne i tworzyć ciąg powietrza (piecyki na drewno, gaz, olej, i węgiel, podgrzewacze wody, czajniki, itd.).
- Zleć upoważnionym specjalistom sprawdzenie prawidłowości wentylacji i ciągu kominowego w budynku.
- Urządzenie to nie jest przeznaczone do obsługi przez osoby (w tym dzieci) z ograniczoną sprawnością fizyczną, zmysłową lub umysłową, czy bez odpowiedniego doświadczenia i umiejętności, o ile nie zapewni się im nadzoru lub instrukcji jego użytkowania ze strony osoby

odpowiedzialnej za ich bezpieczeństwo.

Małe dzieci należy nadzorować, aby nie bawiły się okapem. Dzieci nie powinny wykonywać czyszczenia i konserwacji, chyba że są pod nadzorem.

- Instalację i naprawy zlecaj serwisowi autoryzowanemu. Producent nie odpowiada za szkody wynikłe z instalacji i napraw wykonywanych przez osoby nieupoważnione.
- Nie wolno uruchamiać tego urządzenia, jeśli jest niesprawne lub widocznie uszkodzone.
- Upewnij się, że po każdym użyciu urządzenie to jest wyłączane.
- W razie przekazania produktu innej osobie do użytku osobistego lub do celów związanych z wykorzystaniem używanego produktu należy przekazać go wraz z podręcznikiem użytkownika, etykietami produktu i innymi stosownymi dokumentami i elementami.
- Urządzenie to musi zostać zainstalowane przez wykwalifikowaną osobę i zgodnie z obowiązującymi

przepisami. W przeciwnym gwarancja zostanie unieważniona.

Bezpieczeństwo elektryczne

- Aby przysposobić ten wyrób do użycia najpierw trzeba przygotować miejsce do instalacji i przewody elektryczne. Później można wezwać najbliższy Serwis Autoryzowany.
- W razie awarii tego urządzenia nie należy go używać do czasu naprawy przez autoryzowany serwis. Grozi to porażeniem elektrycznym!
- Nie wolno wkładać wtyczki okapu do gniazdka przed ukończeniem instalacji.
- Nie wolno dotykać wtyczki mokrymi dłońmi! Nie odłączaj od zasilania ciągnąc za przewód, zawsze odłączaj chwytając za wtyczkę.
- Wyrób musi być odłączony od sieci w trakcie instalacji, konserwacji, czyszczenia i napraw.
- W razie uszkodzenia przewodu zasilającego, aby uniknąć niebezpieczeństwa, musi go wymienić producent, jego agent serwisowy lub

podobnie wykwalifikowany personel.

- Nigdy nie podłączaj przewodu zasilającego w pobliżu płyt grzejnych. Jeśli izolacja przewodu się stopi, może to doprowadzić do pożaru.
- Wszelkie prace na układach i urządzeniach elektrycznych wykonywać może tylko upoważniony i wykwalifikowany personel.
- W razie jakiegokolwiek awarii wyłącz wyrób i odłącz go od sieci zasilającej. W tym celu wyłącz bezpiecznik zabezpieczający instalację domową.
- Upewnij się, że prąd bezpiecznika jest odpowiedni dla tego wyrobu.
- Nie wolno myć tego wyrobu wodą! Grozi to porażeniem elektrycznym!

Zasady zachowania bezpieczeństwa przy użytkowaniu tego wyrobu

- Odległość pomiędzy dolną powierzchnią okapu i górną powierzchnią piekarnika powinna wynosić nie mniej niż 65 cm.

- Nie dotykaj lampy okapu, jeśli świeciła się przez dłuższy czas. Gorące lampy mogą poparzyć dłonie.
- Nie używaj tego urządzenia bez filtra oleju. Nie wyjmuj filtra w trakcie pracy urządzenia.
- Unikaj dużych płomienie pod urządzeniem. W przeciwnym razie, cząstki na filtrze oleju mogą się zapalić i spowodować pożar.
- Płytki grzejne załączaj dopiero po postawieniu na nich patelni lub garnków. W przeciwnym razie rosnąca temperatura może odkształcać niektóre części tego urządzenia.
- Wyłączaj płytki grzejne zanim zdejmiesz z nich patelnie lub garnki.
- Unikaj materiałów łatwopalnych pod okapem.
- Nie wystawiaj tego urządzenia na działanie otwartego ognia pod nim. Może powodować zapłon oleju zgromadzonego w filtrze. Nie używać tego urządzenia bez filtra.
- Nigdy pozostawiaj tej kuchenki bez dozoru w trakcie smażenia potraw, olej

może się zapalić, wrzący olej może spowodować pożar.

Tak więc uważaj na tkaniny i zasłony.

- Jeśli okap nie jest systematycznie i odpowiednio czyszczony, może to spowodować zagrożenie jego zapaleniem.
- Aby odświeżyć powietrze w kuchni i oczyścić je z woni i oparów gotowania można załączyć okap na dodatkowe 15 minut po zakończeniu gotowania lub smażenia.
- W pomieszczeniu tym powinna być dobra wentylacja, gdy okap używany jest równocześnie z urządzeniami opalonymi gazem lub innymi paliwami. (Nie dotyczy urządzeń, które tylko oddają powietrze z powrotem do pomieszczenia).
- W miejscu, w którym używa się okapu, należy absolutnie izolować wylot spalin oleju opałowego lub z urządzeń gazowych, takich jak grzejniki pokojowe, urządzenia takie muszą być typu hermetycznego.
- Jeśli w tym samym miejscu jest urządzenie na olej opałowy lub gaz, pokój taki

musi być dostatecznie wentylowany.

- Jeśli w tym samym miejscu równocześnie z tym okapem używa się urządzeń niezasilanych elektrycznie, aby uniknąć zawracania przez okap wyziewów z nich do pomieszczenia, podciśnienie w nim musi wynosić nie więcej niż 0,4 mbara.
- Nie podłączaj okapu do kominów stosowanych do grzejników, spalin, ani gazu tracić gazu lub wznoszących się płomieni. Przestrzegaj przepisów władz ci do odprowadzanie powietrza wylotowego.
- Do podłączenia do komina użyj rury o średnicy 120 mm. Rura łącząca musi być jak najkrótsza z jak najmniejszą liczbą zagięć.
- Nie wieszaj materiałów palnych ani łatwopalnych na uchwyty okapu.
- Firma nasza nie ponosi odpowiedzialności za problemy wynikające z użytkowania tego urządzenia wbrew powyższym ostrzeżeniom.

- Zachodzi niebezpieczeństwo pożaru, jeśli czyści się niezgodnie z nioniejszą instrukcją.
- Nie sporządzaj pod okapem potraw płonących.
- **NUwaga:** Dostępne części mogą się nagrzewać, gdy korzysta się okapu wraz z przyrządami do gotowania.
- Zaleca się czyścić filtr raz w miesiącu przy normalnym użytkowaniu.

Zamierzone przeznaczenie

Wyrób ten przeznaczony jest do użytku domowego. Nie dopuszcza się użytkowania komercyjnego.

Producent nie odpowiada za szkody spowodowane niewłaściwym użytkowaniem tego wyrobu lub obchodzeniem się z nim.

Bezpieczeństwo dzieci

- W trakcie pracy tego produktu nie dopuszczać do przebywania dzieci w jego pobliżu ani do zabawy.
- Materiały opakowaniowe są niebezpieczne dla dzieci. Trzymaj materiały opakowaniowe w miejscu niedostępnym dla dzieci, sortuj je i pozbywaj się ich

zgodnie z wytycznymi pozbywania się odpadów.

- Urządzenia elektryczne są niebezpieczne dla dzieci. W trakcie pracy tego produktu nie dopuszczać do przebywania dzieci w jego pobliżu ani do zabawy.

Stare urządzenia

Zgodność z dyrektywą WEEE i usuwanie odpadów:



Niniejszy wyrób jest zgodny z dyrektywą Parlamentu Europejskiego i Rady (2012/19/WE). Wyrób ten oznaczony jest symbolem klasyfikacji zużytych urządzeń elektrycznych i elektronicznych (WEEE).

Wyrób ten wykonano z części i materiałów wysokiej jakości, które mogą być odzyskane i użyte jako surowce wtórne. Po zakończeniu użytkowania nie należy pozbywać się go razem z innymi odpadkami domowymi. Należy przekazać go do punktu zbiórki urządzeń elektrycznych i elektronicznych na surowce wtórne. Aby dowiedzieć się, gdzie jest najbliższy taki punkt, prosimy skonsultować się z władzami lokalnymi. Odpowiednie postępowanie ze zużytym sprzętem zapobiega potencjalnym konsekwencjom dla środowiska naturalnego i ludzkiego zdrowia.

Zgodność z dyrektywą RoHS:

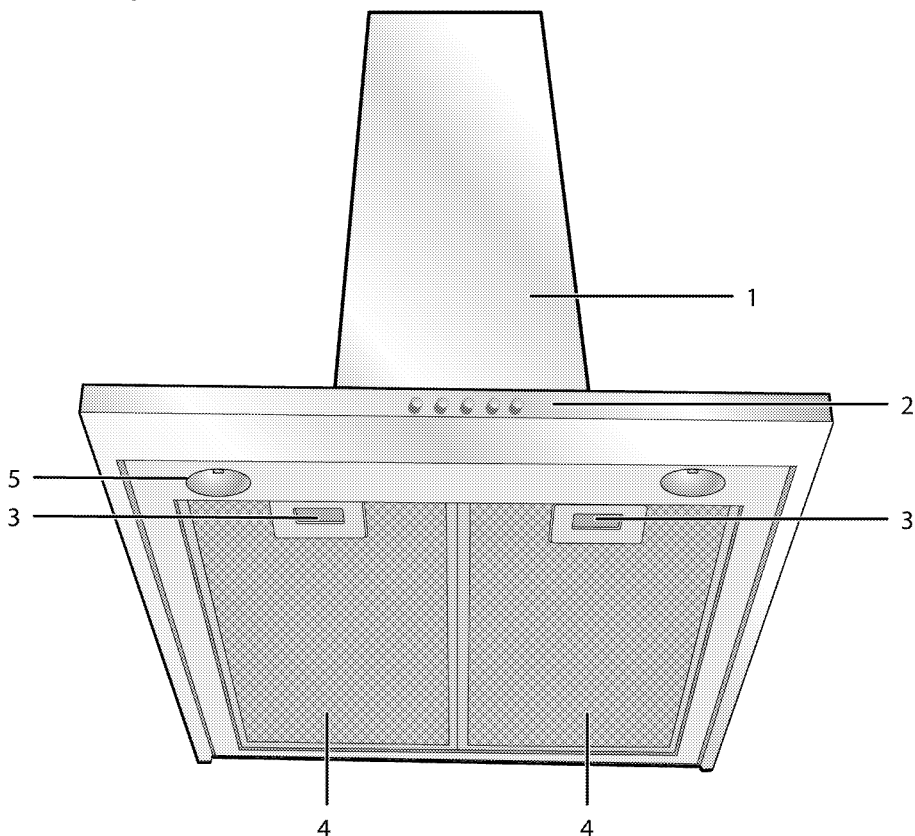
Niniejszy wyrób jest zgodny z dyrektywą Parlamentu Europejskiego i Rady RoHS (Ograniczenie użycia substancji niebezpiecznych) (2011/65/WE). Nie zawiera szkodliwych i zakazanych materiałów, podanych w tej dyrektywie.

Pozbywanie się materiałów opakowaniowych

- Materiały opakowaniowe są niebezpieczne dla dzieci. Należy trzymać je w bezpiecznym miejscu, niedostępnym dla dzieci. Opakowanie tego wyrobu wyprodukowano z surowców wtórnych. Należy odpowiednio się ich pozbywać i sortować je zgodnie z instrukcjami gospodarki surowcami wtórnymi. Nie należy ich wyrzucać razem ze zwykłymi odpadkami domowymi.

2 Informacje ogólne

Opis urządzenia



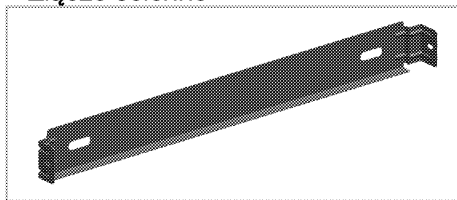
- 1 Korpus okapu
- 2 Panel sterowania
- 3 Zamek filtru aluminiowego
- 4 Filtr aluminiowy
- 5 Lampka

Zakres dostawy

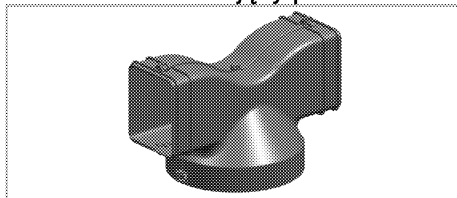
i Dostarczane akcesoria mogą różnić się zależnie od modelu urządzenia. Niektóre z akcesoriów opisanych w instrukcji obsługi mogą nie być dostarczane razem z tym modelem urządzenia.

1. Instrukcja użytkownika

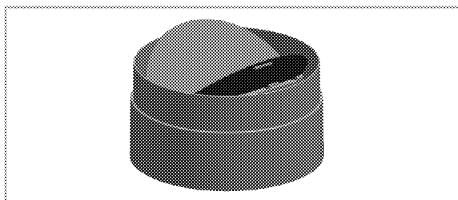
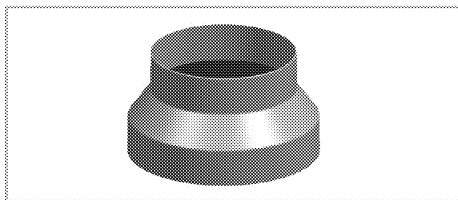
2. Złącze ścienne



3. Element kierujący powietrze



4. Przystawka złącza kominowego



5. Zawory zapobiegające odwrotnemu przepływowi powietrza

Dane techniczne

Wymiary zewnętrzne (wys./szer./głęb.)	min. 760 mm - maks. 927 mm/598 mm/490 mm
Napięcie/częstotliwość	220-240 V~; 50 Hz
Sterowanie	3 poziom + 1 Booster (szybkie nagrzewanie)
Moc ssania	730 m ³ /godz.
Łączne zużycie energii elektrycznej	maks. 300 W
Średnica rury wylotu powietrza	120-150 mm
LAMPA	
Typ lampy	LED
Pobór mocy lampy	3 W
Maksymalna moc ew. lampy zamiennej	maks.2 x 4 W.LED /maks.2 x 28 W.Halogen
Napięcie/częstotliwość lampy	230 V~; 50/60 Hz
Typ kołpaka lampy	GU10
Średnica/długość lampy	50 mm /55 mm

i Dane techniczne mogą zostać zmienione bez uprzedzenia w celu poprawy jakości wyrobu.

i Rysunki w tej instrukcji są schematyczne i mogą się nieco różnić od danego wyrobu.

i Wartości podane na oznaczeniach wyrobu lub w innych dokumentach drukowanych dostarczanych wraz z nim uzyskano w warunkach laboratoryjnych z zachowaniem odnośnych norm. Wartości te mogą się różnić zależnie od operacyjnych i środowiskowych warunków pracy danego wyrobu.

3 Instalacja

Instalację tego wyrobu zleć najbliższemu autoryzowanemu agentowi serwisowemu. Przed wezwaniem autoryzowanego serwisu do przysposobienia urządzenia do użytku sprawdź dostęp do instalacji elektrycznej. Gdy brak dostępu, zleć jego przygotowanie kwalifikowanemu elektrykowi lub hydraulikowi.

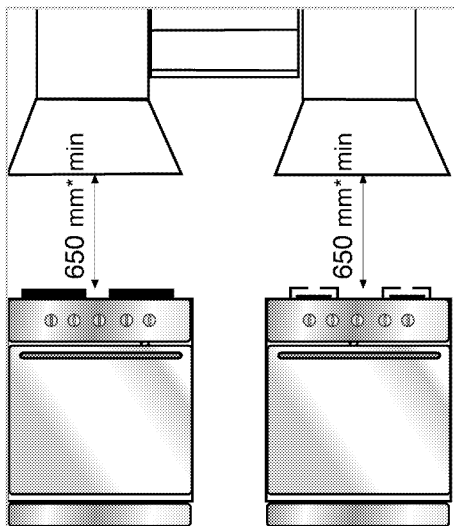
i Przygotowanie miejsca do instalacji i dostępu do sieci elektrycznej to obowiązek klienta.

! Urządzenie to należy instalować zgodnie z miejscowymi przepisami dot. instalacji elektrycznych.

! Przed zainstalowaniem sprawdź, czy wyrób nie ma widocznych defektów.
Jeśli ma, nie instaluj go.
Uszkodzone wyroby zagrażają Twemu bezpieczeństwu.

! Ostrzeżenie: Niezakończenie śrub lub urządzenia mocującego zgodnie z tą instrukcją może powodować zagrożenia elektryczne.

Montaż



* min.

Odległość między górną powierzchnią płyty kuchennej a dolną powierzchnią okapu powinna wynosić co najmniej 650 mm.

Powietrze wyciągane przez okap nie powinno być odprowadzone do przewodu kominowego używanego przez inne urządzenia działające na gaz lub inne paliwa. (Nie dotyczy urządzeń, które tylko wdmuchują powietrze z powrotem do pomieszczenia). Należy przestrzegać przepisów dotyczących odprowadzania powietrza.

Przyłącze elektryczne

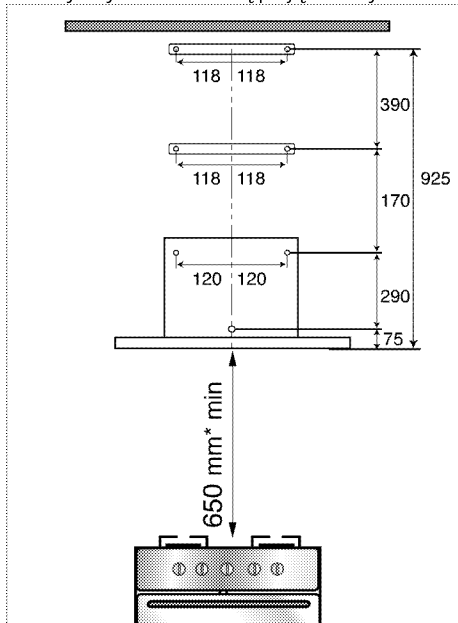
Urządzenie jest zasilane dwużyłowym przewodem zasilającym i powinno być podłączone do sieci przy użyciu przełącznika z co najmniej 3-milimetrowym odstępem pomiędzy końcówkami styku dwubiegunowego. Wykonanie połączeń elektrycznych należy zlecić wykwalifikowanemu elektrykowi.

- Urządzenie należy zainstalować tak, aby zapewnić łatwy dostęp do przyłączy zasilania (np. wtyczek czy gniazd).

Instalacja okapu

i Wszystkie wymiary w mm.

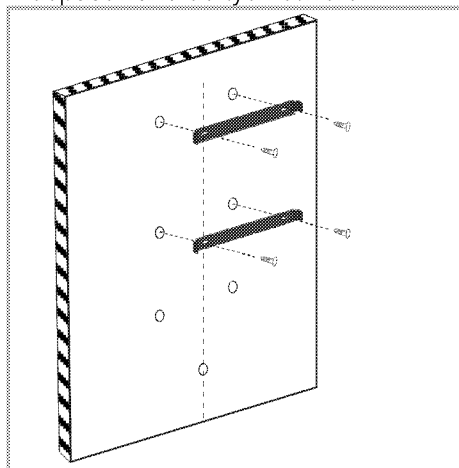
Poniżej podano informacje niezbędne do przygotowania miejsca instalacji okapu. Okap należy zainstalować powyżej środkowej osi sprzętu kuchennego. Odległość między górną powierzchnią płyty kuchennej a dolną powierzchnią okapu powinna wynosić co najmniej 650 mm. Podczas montażu okapu należy wykonać następujące czynności.



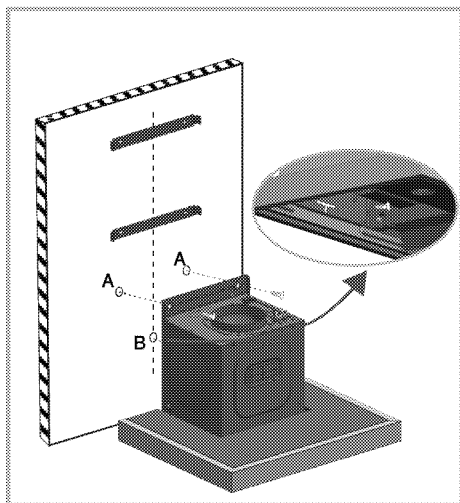
1. Podczas wyśrodkowywania sprzętu kuchennego należy narysować linię osi o wysokości odpowiadającej linii przedstawionej na powyższym rysunku. Następnie, przyjmując tę linię osiową za odniesienie i zgodnie z powyższymi pomiarami, należy wywiercić otwory o średnicy zgodnej

ze złączkami dostarczonymi wraz z produktem.

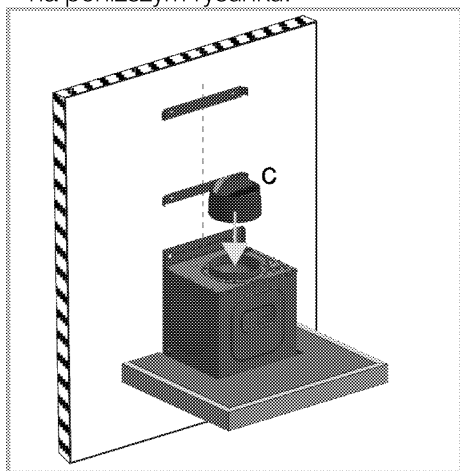
2. Do otworów włożyć plastikowe zaślepki dostarczone wraz z okapem. Sprawdzić, czy złączka kominowa są dopasowane do tych otworów.



3. Elementy łączne należy zamocować w odpowiednich otworach w ścianie dwiema śrubami mocującymi dostarczonymi wraz z akcesoriami, jak pokazano na powyższym rysunku.
4. Okap należy przymocować do ściany, wyśrodkowując go względem otworów A. Wyjąć filtry aluminiowe z okapu. Zamocować od wewnątrz tylną osłonę okapu przez otwór B, używając odpowiedniej śruby, jak pokazano na poniższym rysunku. Podczas wykonywania montażu upewnij się, że okap jest ustawiony równoległe do blatu.

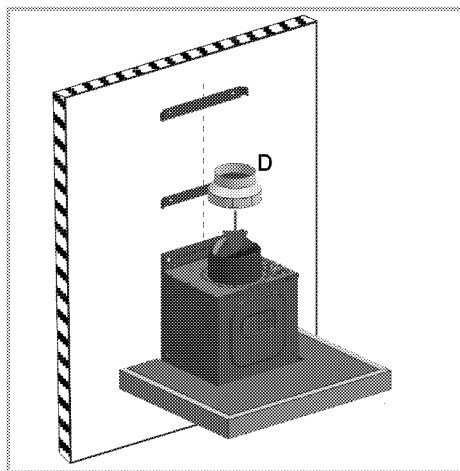


5. Założyć osłonę (C) uniemożliwiającą wsteczny przepływ powietrza do przewodu kominowego, jak pokazano na poniższym rysunku.



6. Użytkowanie przy połączeniu z kominem:

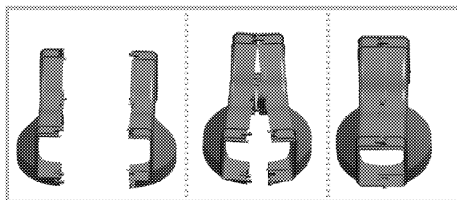
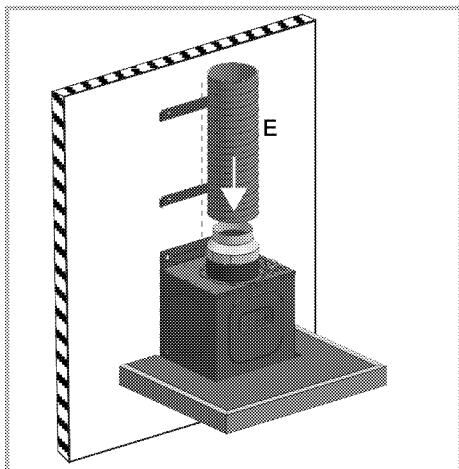
W instalacji kominowej pochłanianie powietrze będzie przepływać przez filtry aluminiowe, a następnie będzie odprowadzane na zewnątrz przez króciec.



W przypadku zastosowania takiego wariantu adapter złącza kominowego D jest umieszczony na części C, jak pokazano na powyższym rysunku.

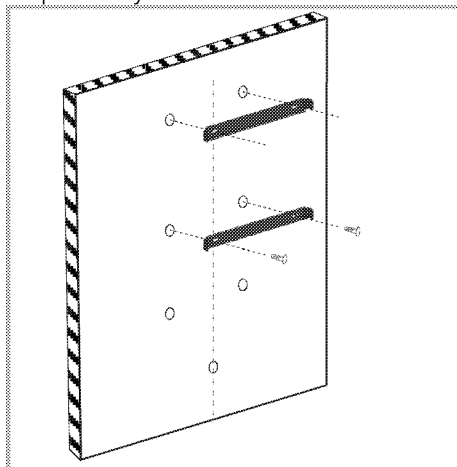
i Adapter złącza kominowego D jest stosowany tylko, jeśli średnica króćca kominowego wynosi 120 mm. Jeśli średnica króćca kominowego wynosi 150 mm, nie jest wymagane stosowanie adaptera złącza kominowego D. Z tego względu jedną końcówkę króćca kominowego E należy podłączyć bezpośrednio do osłony C.

7. Podłączyć jedną końcówkę króćca kominowego E do adaptera złącza kominowego, a drugą końcówkę podłączyć do kominu. Króciec kominowy E można nabyć w autoryzowanym punkcie serwisowym lub w punkcie sprzedaży



Zamontować element kierujący powietrze (dostarczony w dwóch osobnych częściach), jak pokazano na rysunku.

W celu stosowania bez kominu należy wykonać poniższe czynności. Króciec kominowy E oraz elementy łączeniowe F można nabyć w autoryzowanym punkcie serwisowym lub w punkcie sprzedaży.



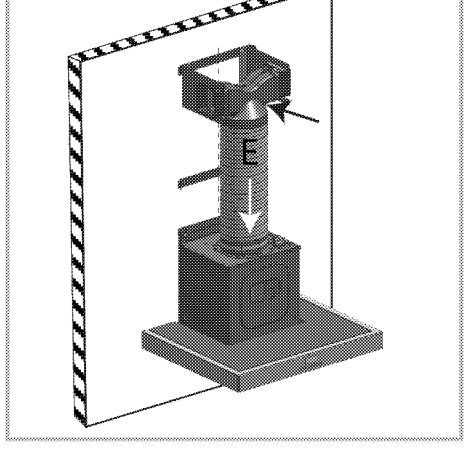
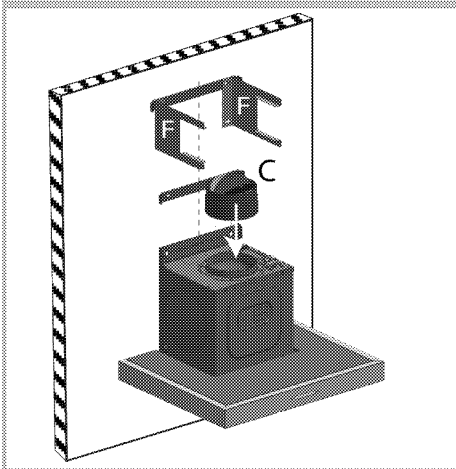
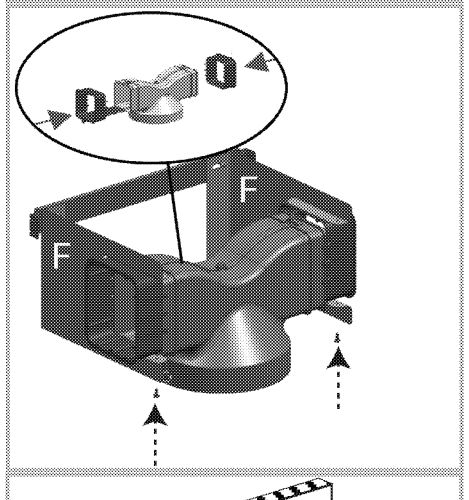
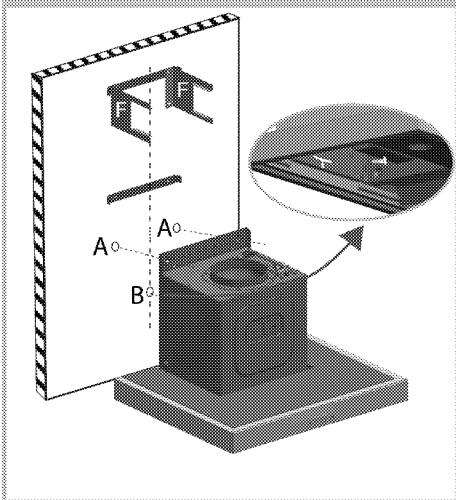
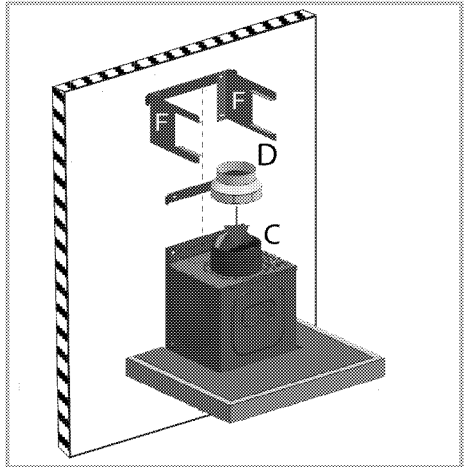
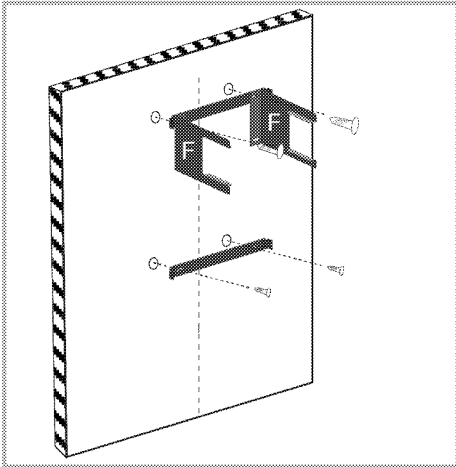
Należy upewnić się, że króciec kominowy są wykonane z ognioodpornego tworzywa sztucznego. W przypadku zastosowania króćca giętkiego należy pamiętać, że ostre kąty i zwężenia będą miały negatywny wpływ na zasysanie powietrza.

Okapu nie wolno podłączać do przewodu kominowego, do którego jest już podłączone inne urządzenie.

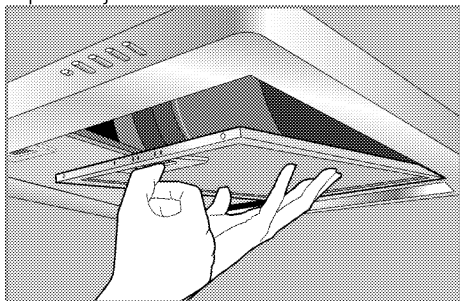
i Króciec nie powinien być dłuższy niż 120-150 mm; w przeciwnym razie prawidłowe połączenie z kominem będzie niemożliwe.

8. Obieg wewnętrzny (z zastosowaniem filtra węglowego)

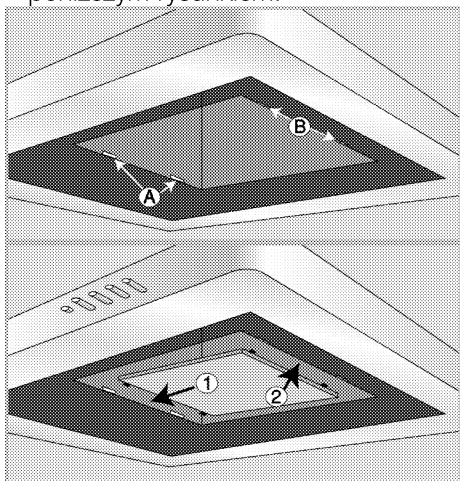
W przypadku zastosowania wewnętrznego obiegu powietrza powietrze pochłaniane z otoczenia przechodzi przez filtry aluminiowe i filtry węglowe eliminujące zapachy oraz przez element kierujący powietrze, a następnie jest ostatecznie zawracane do otoczenia przez kratki wentylacyjne z boku kominu.



9. Wyjąć filtry aluminiowe, jak pokazano poniżej.



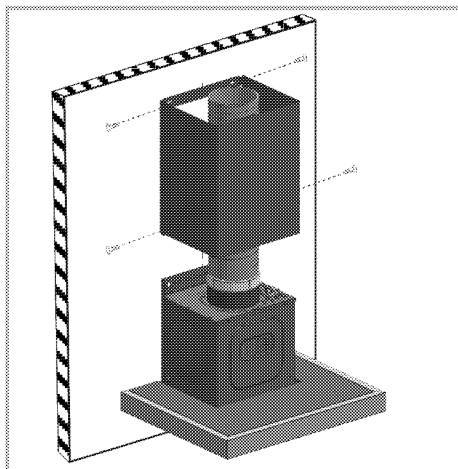
10. Założyć filtr węglowy zgodnie z poniższym rysunkiem.



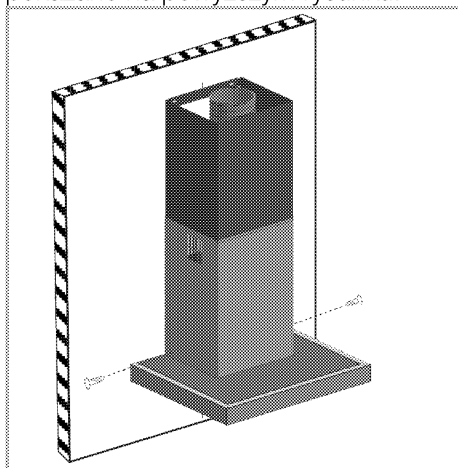
Założyć ponownie filtry aluminiowe.

11. Montaż kominia

Aby zainstalować komin górny, należy zamocować jego górne narożniki kominia w górnym złączu ściennym, a następnie dokręcić komin śrubami do złącza ściennego, jak pokazano na poniższym rysunku.



Aby zainstalować komin dolny, należy rozciągnąć go, pociągając lekko z obu stron, a następnie zamocować w szczelinach kominia górnego, jak pokazano na powyższym rysunku.



Zamocować komin do okapu, używając dwóch otworów w dolnych narożnikach kominia dolnego.

Okapu można używać na dwa sposoby:

1 — Użytkowanie przy połączeniu z kominem

Para jest odprowadzana rurą kominową przymocowaną do pierścienia łączącego w okapie. Średnica rury kominowej powinna być równa średnicy pierścienia łączącego. Aby umożliwić swobodny wylot powietrza z pomieszczenia w układach horyzontalnych, rura ta powinna być lekko uniesiona (o około 10°).

i Jeśli w okapie zainstalowany jest filtr węglowy, należy go wyjąć w przypadku użytkowania przy połączeniu z kominem.

2 — Użytkowanie bez połączenia z kominem

Powietrze jest filtrowane przez filtr węglowy i wraca do pomieszczenia. Filtr

węglowy stosuje się, gdy dom nie jest wyposażony w komin lub gdy nie można zainstalować wkładu kominowego.

- Założyć filtr węglowy zgodnie z opisem w części dotyczącej instalacji.

Przyszły transport

- Zachowaj oryginalne pudło kartonowe na piekarnik i transportuj go w nim. Przestrzegaj instrukcji na pudle. Jeśli nie masz oryginalnego pudła, zapakuj piekarnik w folię bąbelkową lub grubą tekturę i zabezpiecz taśmą klejącą.

i Nie stawiaj na nim żadnych przedmiotów i przemieszczaj go w pozycji pionowej.

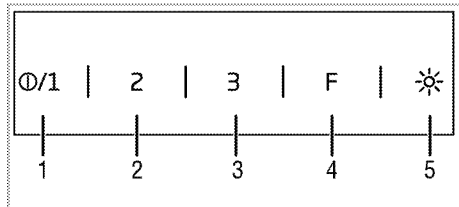
i Sprawdź, czy piekarnik nie uległ w transporcie widocznym uszkodzeniom.

4 Obsługa okapu

Okap wyposażony jest silnik z różnymi ustawieniami prędkości.

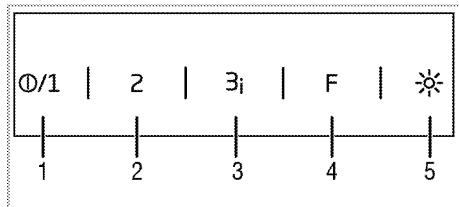
Aby uzyskać lepszą wydajność, radzimy stosować niskie prędkości w warunkach normalnych, a wysokie prędkości, gdy zapach i opary są intensywne.

MODEL A



- 1 Przycisk wyłączania / Prędkość 1
- 2 Prędkość 2
- 3 Prędkość 3
- 4 Przycisk funkcji
- 5 Przycisk lampki

MODEL B



- 1 Przycisk wł./wył. / Prędkość 1
- 2 Prędkość 2
- 3 Prędkość 3 / Booster
- 4 Przycisk funkcji
- 5 Przycisk lampki

Obsługa okapu

1. Dotknij przycisku wł./wył., aby włączyć okap.
2. Aby zmienić poziom prędkości, dotknij przycisku Prędkość 2 i Prędkość 3.

i Jeśli nie dotkniesz żadnego przycisku podczas działania produktu, lampka i poziomy będą działać do 6 godzin.

Kontrolka wskaźnika poziomu

Przycisk wł./wył. (Prędkość 1): Włączona jest dioda LED 1. poziomu

Prędkość 2: Włączona jest dioda LED 2. poziomu

Prędkość 3: Włączona jest dioda LED 3. poziomu

Booster (wentylacja intensywna): (Dioda LED 3. poziomu miga co 0,5 sekundy).

Tryb wyłączania automatycznego (dla A i B)

1. W przypadku dotknięcia przycisku funkcji, gdy produkt działa na określonym poziomie, aktywowany zostanie tryb automatycznego wyłączania, a diody LED przycisku prędkości i przycisku funkcji zaświecą się.
2. Okap będzie nadal działać przez 20 minut na nastawionym poziomie, a potem wyłączy się automatycznie.

i Tryb automatycznego wyłączania jest anulowany po dotknięciu dowolnego przycisku innego niż przycisk lampki.

Uruchamianie trybu wentylacji intensywnej (Booster) (w modelu B)

Dotknij przycisku Prędkość 3 na ponad dwie sekundy. Tryb wentylacji intensywnej włączy się i pozostanie aktywny przez maksymalnie 7 minut. Po 7 minutach okap będzie działać w położeniu Prędkość 3.

i W trybie wentylacji intensywnej dioda LED 3. poziomu miga co 0,5 sekundy.

Podczas intensywnej wentylacji dotknięcie któregoś przycisku prędkości powoduje działanie okapu z tą właśnie prędkością.

Wyłączanie okapu

1. Przytrzymaj przycisk wyłączania przez 2 sekundy, gdy okap pracuje przy określonej prędkości.

Wyłączanie lampki

1. Dotknij przycisku lampki, aby ją wyłączyć.

Wyłączanie lampy

1. Dotknij przycisku lampki ponownie, aby ją wyłączyć.

i Przyciskiem wyłączania nie wyłącza się lampki, a tylko zatrzymuje działanie okapu.

Tryb filtrowania powietrza (w modelu B)

1. Dotknij przycisku funkcyjnego, gdy okap nie pracuje z dowolną prędkością.

» Uruchoimi się tryb filtrowania powietrza, a dioda LED przycisku funkcyjnego będzie migać co 0,5 sekundy.

2. Tryb filtrowania powietrza będzie czynny przez 10 minut przy prędkości na poziomie 1, a następnie wyłączyć się będzie na 50 minut w trakcie następnej godziny. Jeśli trybu filtrowania powietrza nie wyłączy się, nadal będzie działać przez 10 minut i wyłączyć na 50 minut w trakcie każdej godziny przez 24 godzin.

i Tryb filtrowania powietrza służy do usuwania zapachów, które utrzymują się w domu przy długotrwałym stosowaniu niskiej prędkości.

Wyłączanie trybu filtrowania powietrza (w modelu B)

1. Aby wyłączyć tryb filtrowania powietrza, należy dotknąć dowolnego przycisku prędkości lub przycisku wyłączania.

i Tryb filtrowania powietrza nie jest zapamiętywany przy wyłączeniu i włączeniu okapu na dowolnym poziomie prędkości.

i Gdy przy załączonym trybie filtrowania powietrza nastąpi przerwa w zasilaniu energią elektryczną, program ten zostanie anulowany.

Kontrolka napełnienia filtra (w modelu B)

Co 100 godzin pracy diody LED na ekranie będą migać do 0,5 sekundy. Wyczyść filtr. Kontrolka napełnienia filtra nie zostanie zresetowana automatycznie po wyczyszczeniu.

Aby zresetować kontrolkę napełnienia filtra, należy dotknąć dowolnej funkcji.

i Gdy zapaliła się kontrolka napełnienia filtra okapu, przerwa w zasilaniu energią elektryczną nie wyzeruje jej.

5 Czyszczenie i konserwacja

Informacje ogólne

Okres użytkowania tego wyrobu przedłuży się, a problemy staną się rzadsze, jeśli wyrób ten czyści się w regularnych odstępach czasu.

! Przed konserwacją i czyszczeniem, odłącz piekarnik od sieci.

Grozi to porażeniem elektrycznym!

- Po każdym użyciu dokładnie oczyść ten wyrób. Dzięki temu łatwiej będzie usuwać pozostałości pieczenia, unikając tym samym ich zapalenia się na następnym użyciu piekarnika.
- Do jego czyszczenia nie potrzeba żadnych specjalnych środków czyszczących. Wyrób ten czyści się miękką ściereczką lub gąbką i ciepłą wodą z mydłem w płynie, i wyciera suchą ściereczką.
- Do czyszczenia powierzchni i klamki ze stali nierdzewnej nie używaj środków czyszczących zawierających kwas lub chlorek. Części te wyciera się do czysta miękką ściereczką z detergentem w płynie (nie w proszku), najlepiej ruchami w tym samym kierunku.

i Pewne detergenty lub środki czyszczące mogą uszkodzić powierzchnię. Nie używaj agresywnych detergentów, proszku/mleczka do czyszczenia, ani żadnych ostrych przedmiotów.

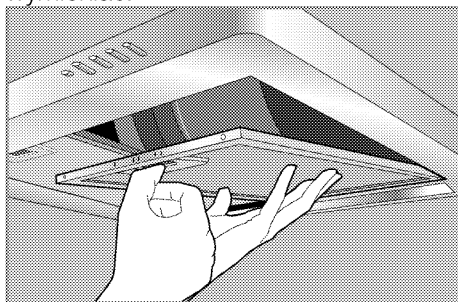
i Do czyszczenia nie używaj urządzeń parowych.

Filtr aluminiowy

Filtr ten przechwytuje cząstki oleju z powietrza. **Zaleca się czyścić filtr raz w**

miesiącu przy normalnym użytkowaniu.

W tym celu trzeba najpierw wyjąć filtry aluminiowe. Umyj filtry w wodzie z detergentem w płynie i zainstaluj je po wysuszeniu. Filtry aluminiowe mogą z czasem zmienić kolor z powodu mycia. To normalne i nie trzeba takiego filtra wymieniać.



i Filtry aluminiowe można także myć w zmywarce do naczyń.

Wymywanie filtrów aluminiowych

1. Naciśnij blokadę filtra aluminiowego od siebie.
2. Nieco obniż filtr i pociągnij go od siebie. W przeciwnym razie filtr może się zgiąć.
3. Aby ponownie założyć filtr po umyciu, wykonaj te czynności w odwrotnej kolejności.

Filtr węglowy (Używany bez komina)

i Filtru węglowego się nie myje.

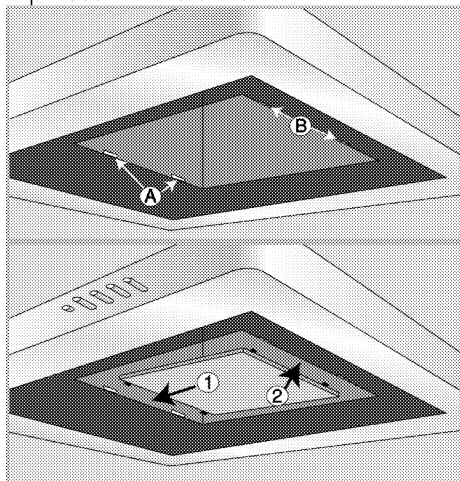
Należy go wymieniać co 4 miesiące w normalnych warunkach użytkowania.

Filtry węglowe można nabyć w serwisie autoryzowanym.

Zakładanie filtra węglowego

1. Wymij filtry aluminiowe
2. Po wyjęciu filtrów włóż w szczelinę okapu dostarczony wraz z tym wyrobem filtr węglowy jego stroną z

krótkimi, giętkimi wypustkami i przesunąć w kierunku 1.



3. Włóż długie i twarde wypustki z drugiej strony filtra w szczelinę B i przesunij je w kierunku 2.

4. Upewnij się, że oba końce filtra węglowego są trwale zabezpieczone.

Wymiana lampy

! Aby uniknąć zagrożenia porażeniem elektrycznym, zanim wymienisz lampę upewnij się, że piekarnik jest odłączony od sieci zasilającej. Jeśli lampa jest gorąca, odczekaj aż ostygnie. Można się poparzyć od gorących powierzchni!

i Dane techniczne lampki, patrz *Dane techniczne, strona 11*. Lampki do piekarnika można nabyć u autoryzowanego przedstawiciela serwisu.

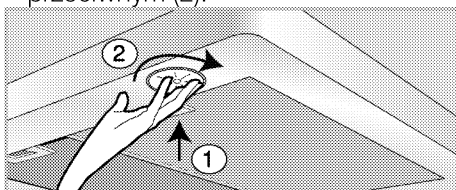
i Lampka może być umieszczona gdzie indziej niż na rysunku.

i Żarówka używana w tym urządzeniu nie jest odpowiednia do oświetlania pomieszczeń domowych. Zgodnie z przeznaczeniem żarówka ta służy do oświetlania żywności.



Używać tylko z samoekranowanymi lampami halogenowymi z żarnikiem wolframowym lub samoekranowanymi lampami metalohalogenkowymi.

1. Lampę wymienia się wciskając ją w osadę i obracając w kierunku zgodnym ze wskazówkami zegara (1), a następnie obracając ją w kierunku przeciwnym (2).



2. Włóż nową lampę obracając ją zgodnie z kierunkiem ruchu wskazówek zegara.

3. Gdy lampa zostanie pewnie osadzona w swym miejscu, usłyszysz "klik".

6 Rozwiązywanie problemów

Urządzenie nie działa.

- Bezpiecznik uszkodzony lub zadziałał. >>> *Sprawdź bezpieczniki w skrzynce bezpiecznikowej. W razie potrzeby wymień je lub załącz.*
- Piekarnik nie jest przyłączony do gniazdka. >>> *Sprawdź kontakt wtyczki.*
- Może nie jest nastawiony przycisk prędkości. >>> *Naciśnij odpowiedni przycisk prędkości.*
- Brak zasilania. >>> *Sprawdź, czy jest prąd. Sprawdź bezpiecznik w skrzynce bezpiecznikowej. W razie potrzeby wymień je lub załącz.*

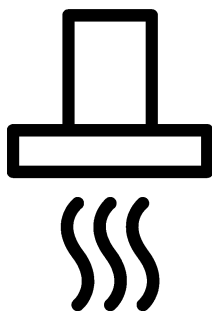
Nie świeci lampa w okapie.

- Lamp w okapie jest uszkodzona. >>> *Wymiana lampy w okapie.*
- Brak zasilania. >>> *Sprawdź, czy jest prąd. Sprawdź bezpiecznik w skrzynce bezpiecznikowej. W razie potrzeby wymień je lub załącz.*

i Jeśli pomimo postępowania według instrukcji z tego rozdziału problem pozostaje, skonsultuj się z autoryzowanym agentem serwisowym lub sprzedawcą piekarnika. Nie próbuj samemu naprawiać zepsutego piekarnika.



Digestoře
Návod k použití



CZ

Prosím, čtěte nejprve tento návod.

Vážený zákazníku,

Děkujeme za výběr produktu Beko. Doufáme, že s tímto produktem, který byl vyroben s využitím vysoce kvalitní a moderní technologie, dosáhnete těch nejlepších výsledků.

Proto si před použitím produktu pečlivě přečtěte celý návod k použití a jakékoli doplňující dokumenty a uchovejte je pro budoucí použití. Pokud produkt předáte další osobě, rovněž jí předejte návod k použití. Dodržte veškerá varování a informace obsažené v návodu k použití.

Nezapomeňte, že tento návod se může vztahovat i k několika jiným modelům. Rozdíly mezi modely jsou v návodu výslovně uvedeny.

Vysvětlení symbolů

V celém návodu k použití jsou použity následující symboly:



Důležité informace o užitečných tipech k použití.



Varování na nebezpečné situace vůči životu a majetku.



Varování na zásah elektrickým proudem.



Nebezpečí vzniku požáru.



Arçelik A.Ş.
Karaağaç caddesi No:2-6
34445 Sütlüce/Istanbul/TURKEY
Made in TURKEY

1	Důležité pokyny a upozornění týkající se bezpečnosti a životního prostředí	4
	Obecná bezpečnost	4
	Elektrická bezpečnost.....	5
	Bezpečnost produktu	6
	Návod k použití	7
	Bezpečnost dětí.....	7
	Likvidace starého výrobku.....	8
	Likvidace obalových materiálů	8
2	Obecné informace	9
	Přehled.....	9
	Předmět dodávky.....	9
	Technické údaje.....	10
3	Montáž	11
	Montáž	11
	Budoucí přeprava.....	16
4	Obsluha digestoře	17
5	Údržba a péče	19
	Obecné informace	19
	Výměna žárovky	20
6	Odstraňování potíží	21

1 Důležité pokyny a upozornění týkající se bezpečnosti a životního prostředí

Tento oddíl obsahuje bezpečnostní pokyny, které vám pomohou předejít riziku zranění a poškození. Nedodržení těchto pokynů zruší platnost záruky.

Obecná bezpečnost

- Toto zařízení může být používáno dětmi staršími 8 let a osobami se sníženými fyzickými, smyslovými nebo duševními schopnostmi nebo s nedostatkem zkušeností, pokud je na ně dohlíženo nebo byly poučeny o použití zařízení bezpečným způsobem a rozumí zahrnutým rizikům.

Děti si nesmí se zařízením hrát. Čištění a údržba uživatelem nesmí být prováděna dětmi bez dozoru.

- **Nebezpečí otravy!** V době, kdy je zařízení spuštěné, nasává vzduch z celého domu. Není-li zajištěno dostatečné větrání, toxické plyny, které se uvolňují v důsledku spalování se vrátí komínem zpět do domu. Spotřebič nespouštějte zároveň se zdroji, které

mohou uvolňovat toxické plyny a průvan vzduchu (trouby na dřevo, plyn a uhlí, popř. krb).

- Vhodnost větrání a komínového tahu ve vaší budově vždy nechte zkontrolovat autorizované osoby.
- Spotřebič není určen k použití osobami (včetně dětí) se sníženými fyzickými, sensorickými nebo duševními schopnostmi nebo bez nedostatku zkušeností, aniž by jim byly předány informace týkající se použití a obsluhy spotřebiče .

Na malé děti je třeba dávat pozor, aby se zajistilo, že si se spotřebičem nehrají. Čištění a údržba nesmí být prováděny dětmi bez dozoru.

- Vždy nechte instalaci a opravy provést **zástupce z autorizovaného servisu**. Výrobce neodpovídá za škody vzniklé při procesech prováděných neoprávněnými osobami.

- Nepoužívejte spotřebič, pokud je vadný nebo vykazuje viditelné škody.
- Zkontrolujte, zda je spotřebič po každém použití vypnutý.
- Pokud je výrobek předán jiné osobě za účelem soukromého použití nebo nepřímého použití, je třeba této osobě poskytnout také uživatelskou příručku, štítky k výrobku a další nezbytné dokumenty a díly.
- Spotřebič musí být nainstalován kvalifikovanou osobou v souladu s platnými směrnici. Jinak není možné uznat záruku.

Elektrická bezpečnost

- Abyste mohli produkt začít používat, musíte mít nejprve připravené místo na instalaci a elektrické zapojení. Později můžete kontaktovat nejbližší autorizovaný servis.
- Dojde-li k selhání produktu, nesmí být používán až do okamžiku opravy zástupcem autorizovaného servisu. Hrozí riziko zásahu elektrickým proudem!
- Digestoř nikdy nezapojujte před dokončením instalace.
- Zásuvky se nikdy nedotýkejte mokřýma rukama! Neodpojujte ze sítě tahem za kabel; vždy kabel řádně uchopte.
- Výrobek je nutno odpojit o napájení během instalace, údržby, čištění a oprav.
- Je-li napájecí kabel poškozen, musí být vyměněn výrobcem nebo jeho servisním zástupcem nebo podobně kvalifikovanou osobou, aby se předešlo nebezpečí.
- Napájecí kabel nikdy nezapojujte v blízkosti varné plochy. V případě roztavení může kabel způsobit požár.
- Všechny činnosti s elektrickým zařízením a systémy mohou provádět jen autorizované osoby.
- V případě jakýchkoli poškození vypněte přístroj a odpojte jej od napájení. Za tímto účelem vypněte domovní pojistku.
- Zkontrolujte, zda je hodnota pojistky kompatibilní s výrobkem.
- Nikdy neumývejte výrobek vodou! Hrozí riziko zásahu elektrickým proudem!

Bezpečnost produktu

- Výška mezi nižším povrchem digestoře a horním povrchem trouby/sporáku nesmí být menší než 650 mm.
- Nikdy se nedotýkejte světla v digestoři, pokud bylo dlouho zapnuté. Horké světlo může popálit Vaši ruku.
- Produkt nikdy nespouštějte bez olejového filtru. Nikdy nesnímejte filtry pokud se produkt používá.
- Vyhněte se velkým plamenům pod produktem. V opačném případě se mohou částice na olejovém filtru vznítit a zapříčinit požár.
- Plotýnky zapněte po umístění hrnců nebo pánví. V opačném případě může zvyšující se teplota deformovat určité části Vašeho produktu.
- Než hrnce nebo pánve sejmete, vypněte plotýnky.
- Pod digestoř neumísťujte hořlavé materiály.
- Produkt nevystavujte otevřeným plamenům. Olej nahromaděný ve filtru se může vznítit. Produkt nespouštějte bez filtru.
- Při smažení nenechávejte spotřebič nikdy bez dozoru, olej se může vznítit a může tak dojít k požáru. Proto si dejte pozor na utěrky a zástěry.
- Není-li digestoř pravidelně a řádně čištěna, může dojít k požáru.
- Abyste zbavili vzduch v kuchyni pachů z vaření, zapněte digestoř na 15 minut po ukončení vaření nebo smažení
- Když se digestoř používá, zejména v kombinaci s plynovými vařiči, zajistěte, že prostředí je dobře odvětrávané čistým vzduchem.
- V prostředí, kde se digestoř používá, musí být zařízení na plyn nebo palivový olej, např. topná tělesa, topení, zcela izolována.
- Je-li v prostředí spotřebič na palivový olej nebo plyn, místnost musí být dostatečně odvětrávaná.
- Když je souběžně s digestoři v daném prostředí spuštěno i zařízení, které nenapájí elektrina, negativní tlak v místnosti musí být maximálně 0,4 mbar, aby se předešlo tomu, že digestoř zvrátí

odsávání jiného zařízení do místnosti.

- Digestoř nikdy nezapojujte do komínů používaných pro topení, nebo v kterém se objevují plameny. Při odvádění vzduchu se řiďte příslušnými směrnicemi.
- Při zapojení do komína použijte trubky o průměru 120 mm. Zapojení musí být co nejkratší s co nejméně ohyby.
- Na digestoř nezavěšujte snadno hořlavé materiály.
- Naše společnost nikdy nezodpovídá za problémy související s použitím v rozporu s výše uvedenými upozorněními.
- Není-li čištění provedeno v souladu s pokyny, hrozí nebezpečí vzniku požáru.
- Pod digestoří nevlambujte.
- Upozornění: Přístupné části se mohou při použití na vařiči zahřát.
- Při běžném použití se doporučuje, abyste svůj filtr čistili jednou měsíčně.

Návod k použití

Tento výrobek je určen pro domácí použití. Komerční použití není přípustné.

Výrobce nezodpovídá za žádné škody způsobené nesprávným použitím nebo manipulací.

Bezpečnost dětí

- Udržujte děti mimo tento výrobek, pokud je v provozu, nedovolte jim hrát si s výrobkem.
- Obalové materiály jsou nebezpečné pro děti. Obalové materiály uchovávejte na místě, kde na ně děti nemohou dosáhnout a zlikvidujte je v souladu se směrnicemi pro likvidaci odpadu.
- Elektrické výrobky jsou nebezpečné pro děti. Udržujte děti mimo dosah tohoto výrobku, pokud je v provozu, nedovolte jim hrát si s výrobkem.

Likvidace starého výrobku

Dodržování směrnice WEEE a o likvidaci odpadů:



Tento produkt splňuje směrnici EU WEEE (2012/19/EU). Tento výrobek nese symbol pro třídění, platný pro elektrický a elektronický odpad (WEEE). Tento produkt byl vyroben z vysoce kvalitních součástí a materiálů, které lze znovu použít a které jsou vhodné pro recyklaci. Produkt na konci životnosti nevyhazujte do běžného domácího odpadu. Odveďte ho do sběrného místa pro recyklaci elektrických a elektronických zařízení. Informace o

těchto sběrných místech získáte na místních úřadech.

Dodržování směrnice RoHS:

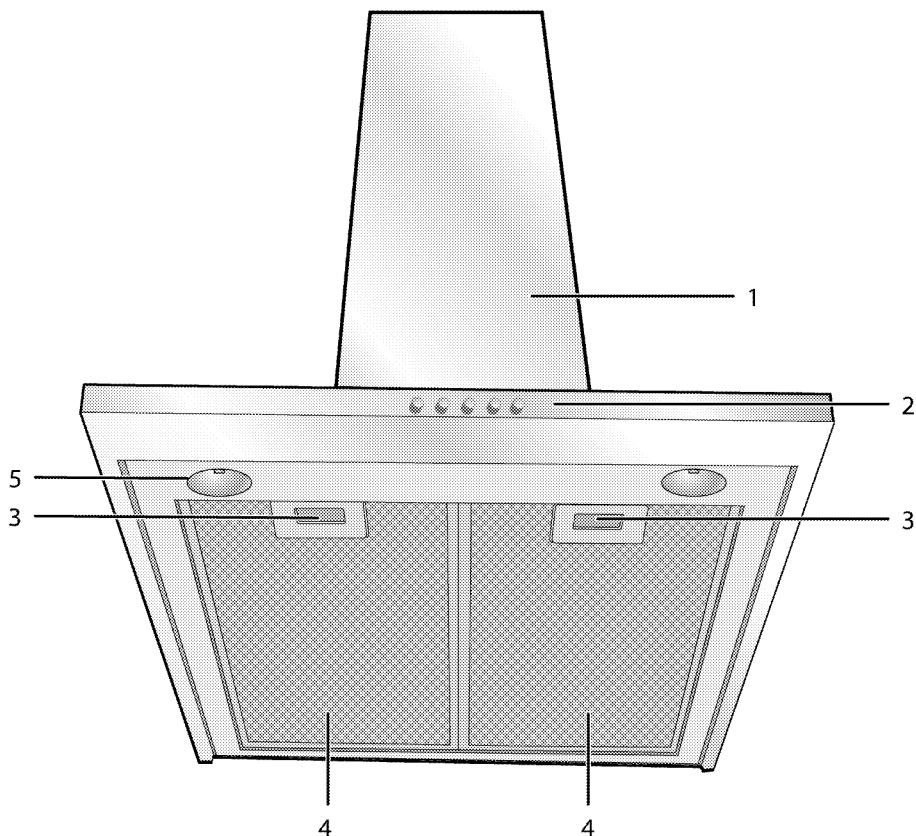
Produkt, který jste zakoupili splňuje směrnici EU RoHS (2011/65/EU). Neobsahuje žádné škodlivé ani zakázané materiály, které jsou směrnici zakázané.

Likvidace obalových materiálů

- Obalové materiály jsou nebezpečné pro děti. Obalové materiály uschovejte na bezpečném místě mimo dosah dětí. Obalové materiály výrobku jsou vyrobeny z recyklovatelných materiálů. Zlikvidujte je správně a třídte je v souladu s pokyny pro likvidaci recyklovaného odpadu. Nelikvidujte je s běžným domácím odpadem.

2 Obecné informace

Přehled

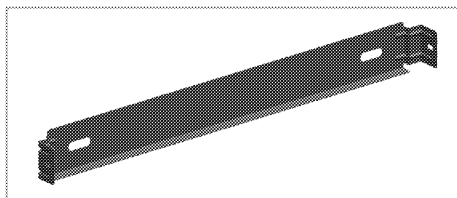


- 1 Digestoř
- 2 Ovládací panel
- 3 Zámek hliníkového filtru
- 4 Hliníkový filtr
- 5 Světlo

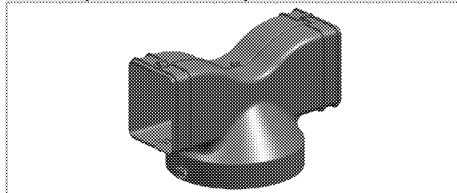
Předmět dodávky

i Dodávané příslušenství se může lišit podle modelu výrobku. Všechna příslušenství popisovaná v návodu k použití nemusí být součástí vašeho spotřebiče.

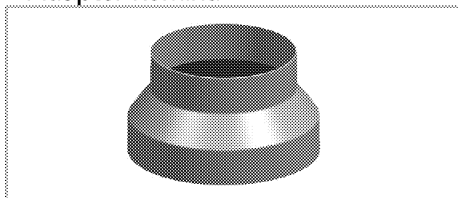
- 1.Návod k použití
- 2.Nástěnný konektor



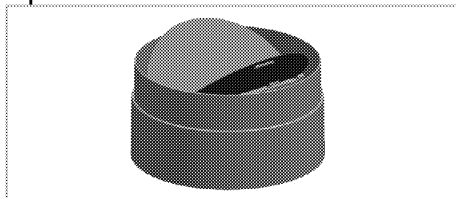
3.Komponent řídicí proudění vzduchu



4.Adaptér komínu



5.Ventily, které brání zpětnému proudění vzduchu



Technické údaje

Vnější rozměry (výška/šířka/hloubka)	min. 760 mm - max. 927 mm/598 mm/490 mm
Napětí/frekvence	220-240 V~; 50 Hz
Ovládání	3 úroveň + 1 Posilovač
Sací výkon	730 m ³ /h
Celková spotřeba energie	max. 300 W
Průměr výstupního vzduchového potrubí	120-150 mm
ŽÁROVKA	
Typ žárovky	Led žárovka
Spotřeba žárovky	3 W
Max. výkon případné náhradní žárovky	max.2 x 4 W.Led žárovka /max.2 x 28 W.Halogenová žárovka
Napětí/frekvence žárovky	230 V~; 50/60 Hz
Typ krytu žárovky	GU10
Průměr/délka žárovky	50 mm /55 mm

i Technické parametry se mohou měnit bez předchozího upozornění za účelem zvyšování kvality výrobku.

i Obrázky v tomto návodu jsou informativní a nemusejí se shodovat s vaším výrobkem.

i Hodnoty uvedené na značení výrobku nebo v jiných tištěných dokumentech dodávaných s výrobkem jsou dosaženy v laboratorních podmínkách v souladu s příslušnými normami. Podle provozních a okolních podmínek výrobku se tyto hodnoty mohou měnit.

3 Montáž

Instalaci výrobku svěřte nejbližšímu autorizovanému servisu. Zajistěte, aby elektrické a plynové instalace byly na místě, než přivoláte autorizovaný servis, aby byl výrobek připraven k provozu. Pokud nejsou, kontaktujte kvalifikovaného elektrikáře a instalátéra pro požadované úpravy.

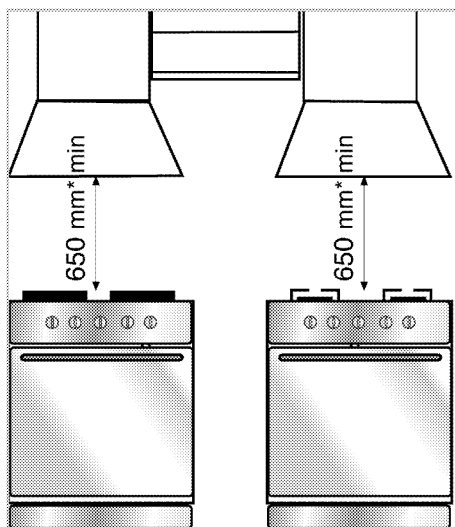
i Za přípravu místa a elektrické a plynové instalace výrobku odpovídá zákazník.

! Výrobek musí být instalován v souladu se všemi místními elektrickými vyhláškami.

! Před instalací zkontrolujte případné vady na výrobku. Pokud nějaké objevíte, neinstalujte jej. Poškozené výrobky mohou ohrozit vaši bezpečnost.

! Varování: V případě, že nenainstalujete šrouby nebo upevňovací zařízení v souladu s pokyny, může dojít k úrazu elektrickým proudem.

Montáž



* min.

Mezi horní plochou varné desky a spodní hranou digestoře by měla být minimální vzdálenost 650 mm. Vzduch nesmí být odváděn z digestoře do komína, který je používán pro odvod spalin z jiných plynových či podobných zařízení. (Toto se netýká spotřebičů, ze kterých je vzduch odváděn zpět do místnosti)

Je nutno dodržovat předpisy regulující odvod vzduchu.

Elektrické zapojení

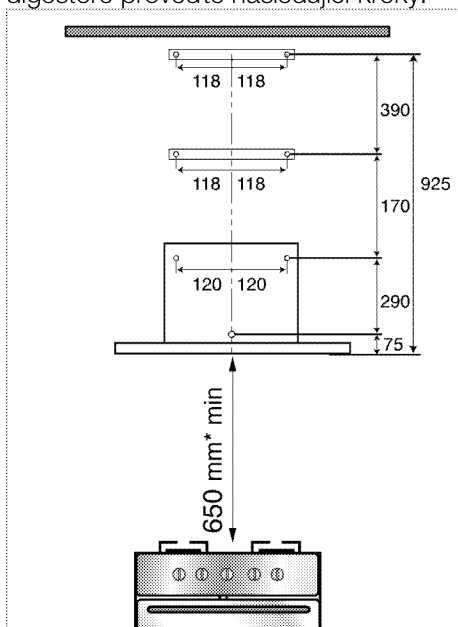
Zařízení je dodáváno s dvoužilovým napájecím kabelem a musí být zapojeno do sítě přes elektrický spínač s minimální vzdáleností mezi bipolárními kontakty 3 mm. Elektrické zapojení musí provést oprávněný elektrikář.

- Zařízení je nutno umístit tak, aby byl i po instalaci zachován snadný přístup k elektrickým zařízením (konektory, výstupy).

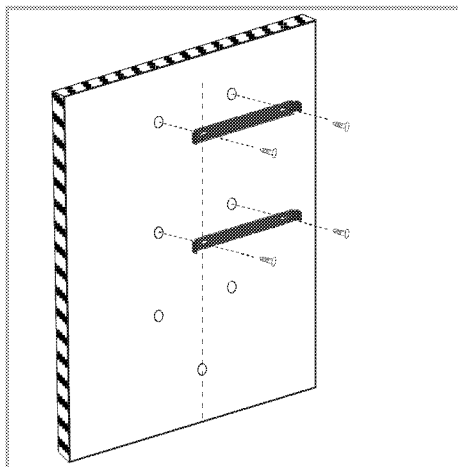
Instalace digestoře

i Všechny rozměry jsou v mm.

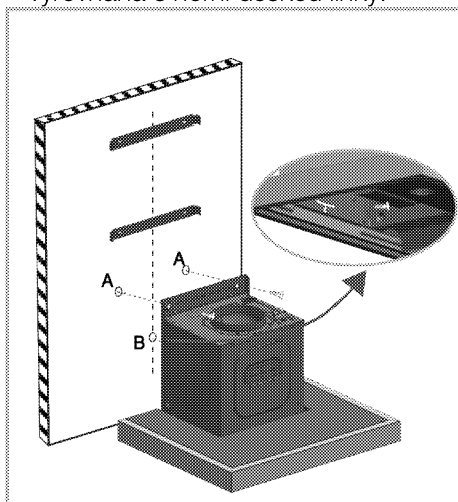
Níže jsou uvedeny nezbytné informace pro přípravu místa na instalaci digestoře. Digestoř musí být umístěna v ose spotřebiče, nad nímž je instalována. Mezi horní plochou varné desky a spodní hranou digestoře by měla být minimální vzdálenost 650 mm. Při instalaci digestoře proveďte následující kroky.



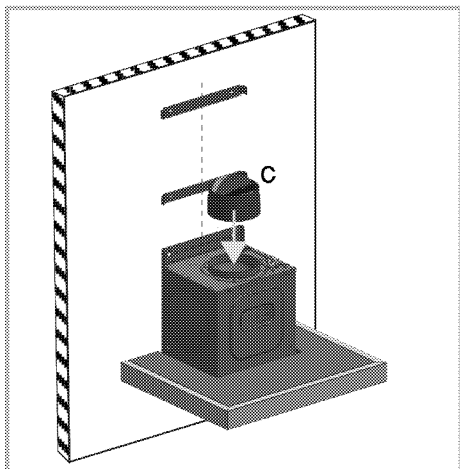
1. Spotřebič vycentrujte a na stěnu vyznačte osu o výšce uvedené na obrázku výše. Tuto osu použijte jako referenční a podle výše uvedených rozměrů vyvrtejte otvory o velikosti podle hmoždinek, které naleznete v balení.
2. Zasuňte do těchto otvorů plastové hmoždinky dodané v balení. Zkontrolujte, zda konektory odtažového komínu odpovídají těmto otvorům.



3. Podle obrázku výše upevněte stěnový kus do příslušných otvorů, pomocí dvou upevňovacích šroubů, které jsou součástí balení.
4. Nasadíte digestoř na zeď a vyrovnejte ji pomocí otvorů A. Vyjměte z digestoře hliníkové filtry. Na vnitřní straně nasadíte a upevníte šroubem zadní desku digestoře přes otvor B, podle obrázku níže. Digestoř musí být vyrovnaná s horní deskou linky.

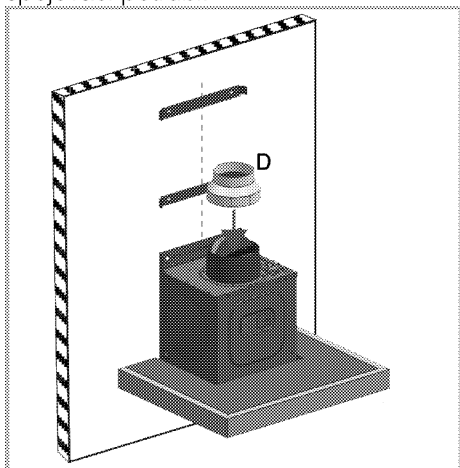


5. Podle obrázku níže je nutno nainstalovat kryt (C) jako ochranu před zpětným tahem komínu.



6. Pro připojení do komína:

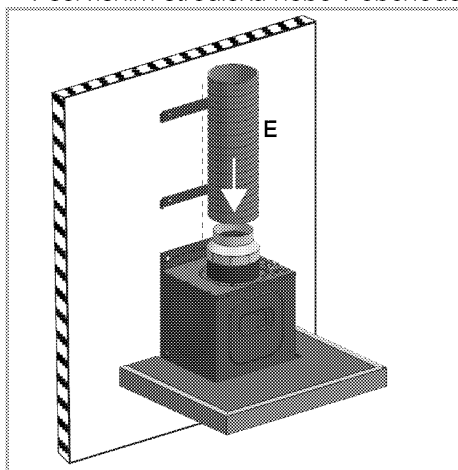
Při montáži s připojením do odtahového komína prochází odváděný vzduch přes hliníkové filtry a poté odchází přes spojovací potrubí.



V tom případě je nutno na díl C nasadit spojovací kus D, jak je vidět na obrázku výše.

i Spojovací kus D použijte pouze, má-li spojovací potrubí do odtahového komína průměr 120 mm. Při použití spojovacího potrubí o průměru 150 mm nemusíte spojovací kus D použít, neboť spojovací potrubí E připojíte přímo ke krytu C.

7. Připojte jeden konec spojovacího potrubí E ke spojovacímu kusu a druhý konec připojte k odtahovému komínu. Spojovací potrubí E zakoupíte v servisním středisku nebo v obchodě



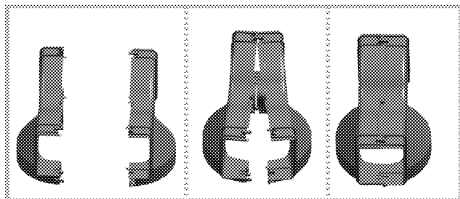
Potrubí kouřovodu by mělo být vyrobeno ze žáruvzdorného plastového materiálu. Při použití flexibilního spojovacího potrubí mějte na vědomí, že ostré rohy a zúžení budou bránit plynulému nasávání vzduchu. Digestoř se nikdy nesmí připojovat ke komínu, do kterého je vyvedeno jiné zařízení.

i Spojovací potrubí do komína nesmí mít průměr větší než 120-150 mm.

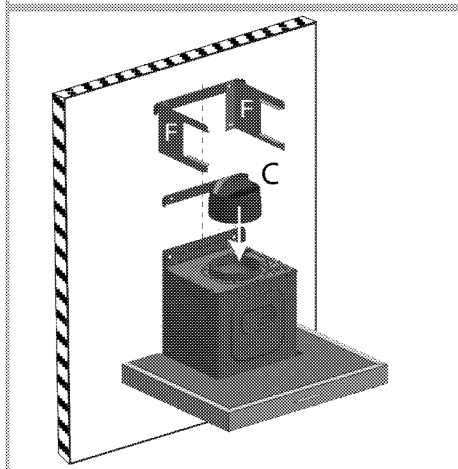
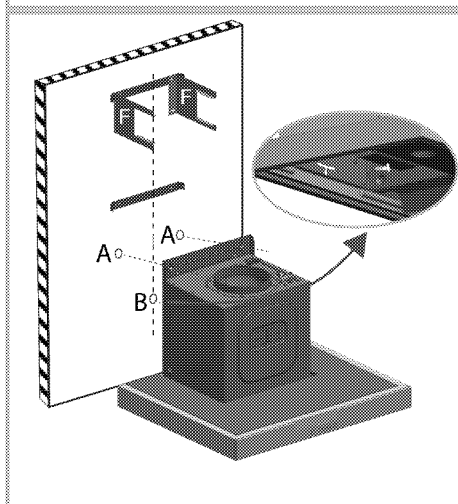
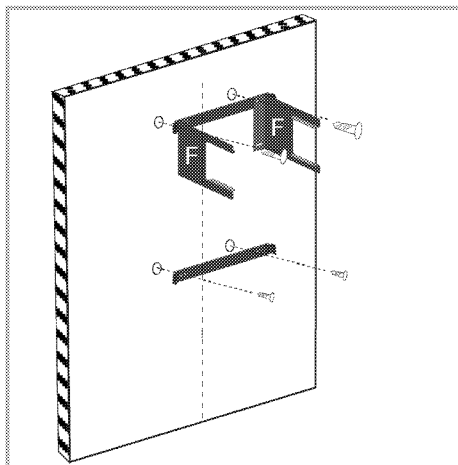
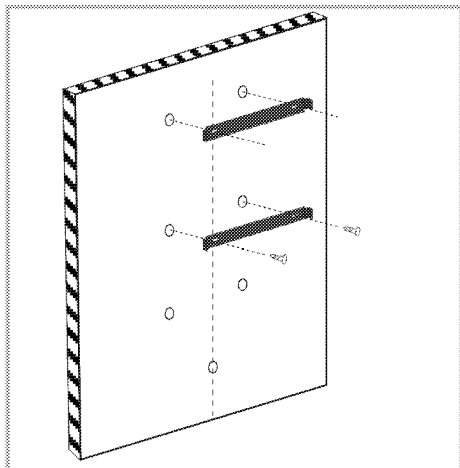
8. Vnitřní cirkulace (s uhlíkovým filtrem)

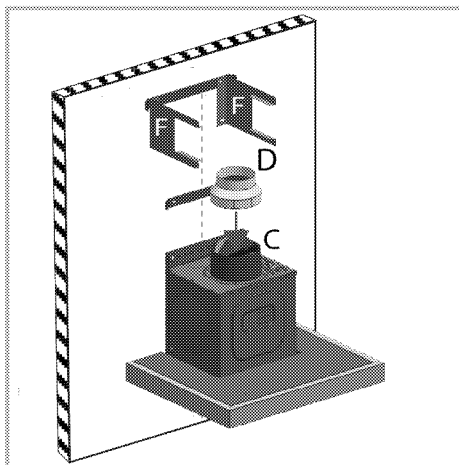
Při použití vnitřní cirkulace prochází pohlcovaný vzduch olejovými a

uhlíkovými filtry, v nichž se eliminuje zápach a poté je odváděn přes směrový kus a větrací mřížky na bocích komínového kusu zpět do místnosti.

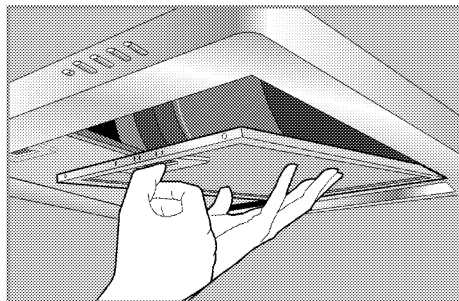


Nejprve podle obrázku sestavte směrový kus, který je dodáván ve dvou samostatných částech. Nasadte směrové kusy na boční díly podle obrázku. Podle obrázku níže nasadte směrový díl na kryt (C) jako ochranu před zpětným tahem komínu. Při použití bez komína postupujte podle níže uvedených kroků. Spojovací potrubí E a přípojovací prvky F zakoupíte v autorizovaném servisním středisku nebo v obchodě.

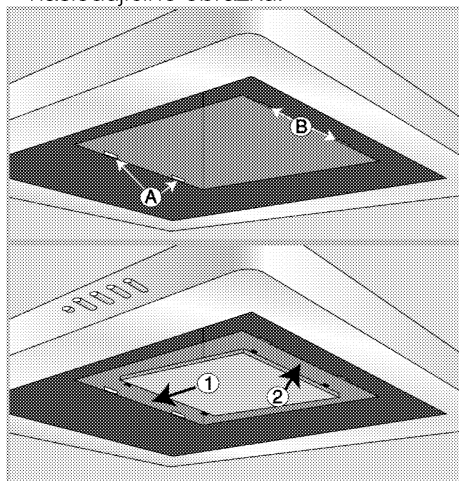
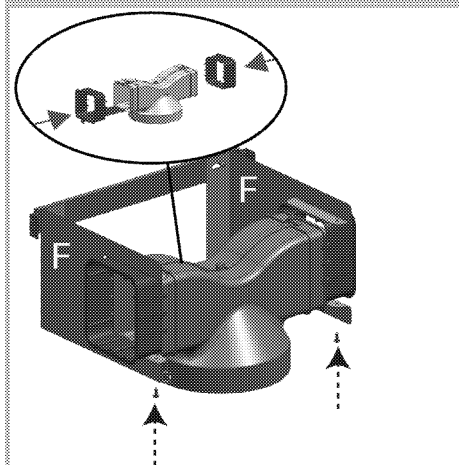




9. Hliníkové filtry sejměte podle zobrazení níže.



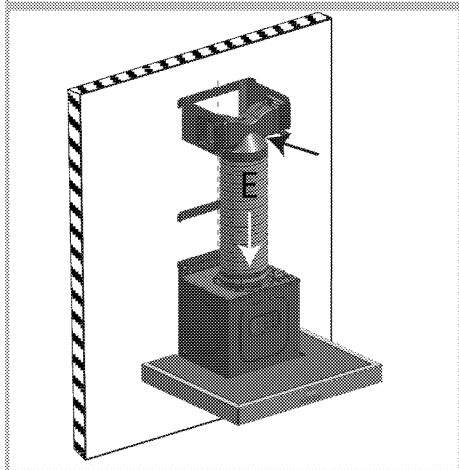
10. Nainstalujte uhlíkový filtr podle následujícího obrázku.

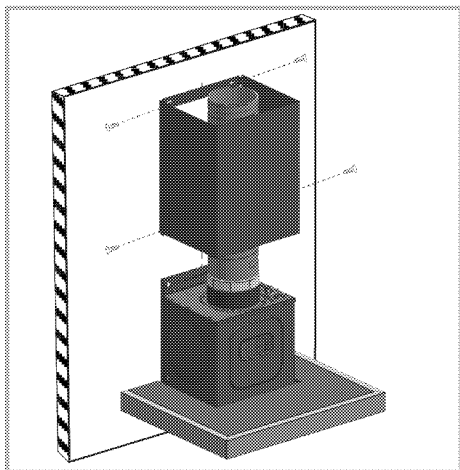


Znovu nasadte hliníkové filtry.

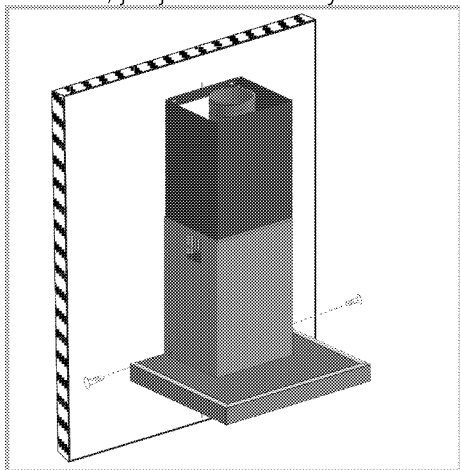
11. Instalace odtahového komínu

Pro instalaci horního odtahového komínu nejprve nasadte horní rohy do horního spojovacího dílu a poté komínový díl připevněte pomocí šroubů, jak je vidět na obrázku níže.





Chcete-li nainstalovat spodní odtahový komín, protáhněte komín lehkým vysunutím z obou stran a zajistěte jej v otvorech, jak je zobrazeno výše.



Nasadte jej do digestoře pomocí dvou otvorů ve spodních rozích spodního odtahového komínu.

Digestoř můžete používat dvěma způsoby:

1. Zapojení do komína

Pára je odváděna do komína, potrubím zajištěným potrubím na digestoři spojovacím kroužkem. Průměr kouřovodu musí odpovídat průměru spojovacího kroužku. Aby vzduch mohl snadno horizontálně vedeným potrubím odcházet z místnosti, mělo by být potrubí vedeno v mírném sklonu nahoru (cca 10°).

i Pokud je součástí digestoře uhlíkový filtr, je třeba jej demontovat.

2. Použití bez zapojení do komína

Vzduch je přes uhlíkový filtr odváděn do místnosti. Uhlíkový filtr se používá, pokud není k dispozici žádný odtahový komín nebo pokud není možné se k existujícímu komínu připojit.

- Nainstalujte uhlíkový filtr podle uvedeného popisu instalace.

Budoucí přeprava

- Uschovejte si originální karton od výrobku a přepravujte výrobek v něm. Dodržujte pokyny na kartonu. Pokud nemáte originální karton, zabalte výrobek do bublin nebo silného kartonu a pevně oblepte páskou.

i Nevkládejte žádné předměty na výrobek a posouvejte jej ve svislé poloze.

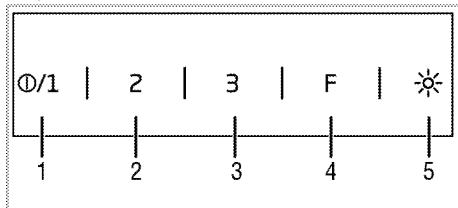
i Zkontrolujte vzhled výrobku, zda neobsahuje škody, k nimž mohlo dojít při přepravě.

4 Obsluha digestoře

Digestoř je vybavena motorem s různými nastaveními rychlosti.

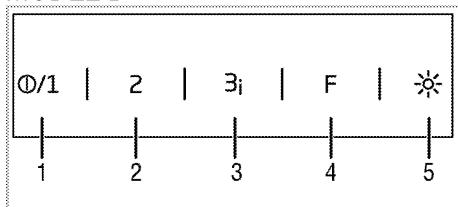
Abyste dosáhli lepšího výkonu, doporučujeme v normálních podmínkách použít nízké rychlosti a vysoké rychlosti v případech zintenzivnění pachu a výparů.

MODEL A



- 1 Tlačítko Zap./Vyp. / Rychlost 1
- 2 Rychlost 2
- 3 Rychlost 3
- 4 Tlačítko Funkce
- 5 Tlačítko světla

MODEL B



- 1 Tlačítko Zap./Vyp. / Rychlost 1
- 2 Rychlost 2
- 3 Rychlost 3 / booster
- 4 Tlačítko Funkce
- 5 Tlačítko světla

Obsluha digestoře

1. Stiskněte tlačítko Zap./Vyp. a troubu zapněte.
2. Chcete-li změnit rychlost, stiskněte tlačítka Rychlost 2 a Rychlost 3.

i Pokud se nedotýkáte žádného tlačítka ani klávesy, zatímco je výrobek v provozu, kontrolka a úroveň budou fungovat do 6 hodin.

Výstražná kontrolka

Tlačítko Zap./Vyp. (Rychlost 1):

Kontrolka úrovně 1 svítí

Rychlost 2: Kontrolka úrovně 2 svítí

Rychlost 3: Kontrolka úrovně 3 svítí

booster: (Kontrolka úrovně 3 trvale bliká v 0,5 sekundových intervalech)

Režim automatického vypnutí (pro A a B)

1. Stisknete-li tlačítko funkce, je-li produkt v provozu na určitou úroveň, aktivuje se režim automatického vypnutí a rozsvítí se kontrolka tlačítka rychlosti a kontrolka tlačítka funkce.
2. Produkt bude pracovat dalších 20 minut při nastavené úrovni a potom se automaticky vypne.

i Režim automatického vypnutí se zruší dojde-li ke stisknutí jakéhokoli jiného tlačítka než je tlačítko světla.

Aktivace intenzivního větracího režimu (booster) (pro model B)

Stiskněte tlačítko rychlosti 3 po dobu delší než dvě sekundy. Aktivuje se intenzivní ventilační režim a bude aktivní maximálně po dobu 7 minut. Po 7 minutách bude pokračovat v režimu Rychlost 3.

i V intenzivním ventilačním režimu kontrolka úrovně 3 trvale bliká v 0,5 sekundových intervalech.

Je-li během intenzivní ventilace stisknuto některé z tlačítek rychlosti, potom bude provoz pokračovat v nastavené rychlosti.

Vypnutí digestoře

1. Když je digestoř spuštěna při určité rychlosti, stiskněte tlačítko Vyp. po dobu 2 sekund.

Rozsvícení tlačítka

1. Světlo zapnete stisknutím tlačítka.

Vypnutí světla

1. Opětovným stisknutím tlačítka světlo vypnete.

 Tlačítko vypnutí nevypne světlo, pouze zastaví digestoř.


Režim vzduchového filtru (pro model B)


1. Když není spotřebič spuštěný při nějaké rychlosti, stiskněte tlačítko funkce.
» Aktivuje se režim vzduchového filtru a kontrolka tlačítka funkce bude blikat v 3 sekundových intervalech.
2. Režim vzduchového filtru se spustí na 10 minut při úrovni rychlosti 1 a potom se během hodiny zastaví na 50 minut. Nedojde-li k vypnutí režimu vzduchového filtru, bude fungovat i nadále 10 minut a každou hodinu během 24 hodin se zastaví na 50 minut.

 Režim vzduchového filtru můžete využít k odstranění zápachu, při použití nízké rychlosti.

Vypnutí režimu vzduchového filtru (pro model B)


1. Režim vzduchového filtru vypnete stisknutím libovolného tlačítka nastavení rychlosti nebo stisknutím tlačítka vypnutí, zatímco je režim filtrování vzduchu aktivní.

 Zatímco je režim vzduchového filtru aktivní, když produkt zapnete a vypnete na nastavené rychlosti, vzduchový filtr nebude zapamatován.

 Dojde-li k výpadku zatímco je režim vzduchového filtru aktivní, program se zruší.

Varování - Plný filtr (model B)

Po každých 100 hodinách provozu budou kontrolky na displeji blikat v 0,5 sekundových intervalech. Filtr vyčistěte. Varování Plný filtr se po vyčištění automaticky neresetuje. Varování Plný filtr lze resetovat stiskem jakékoli funkce.

 Když se na digestoři objeví upozornění na plný filtr, upozornění se v případě výpadku neresetuje.

5 Údržba a péče

Obecné informace

Životnost výrobku se prodlouží a případné problémy se omezí, pokud je výrobek pravidelně čištěn.

! Odpojte zařízení od napájení, než začnete s údržbou a čištěním. Hrozí riziko zásahu elektrickým proudem!

- Výrobek po každém použití pečlivě vyčistěte. Takto snadněji odstraníte nečistoty z pečení, které se takto nebudou při příštím použití přístroje dále připalovat.
- Pro čištění přístroje nejsou potřeba žádná zvláštní čistidla. Výrobek omyjte vodou s mycím přípravkem a hadříkem nebo houbou a osušte ji suchým hadrem.
- K čištění nerezových ploch a rukojeti nepoužívejte čistidla obsahující kyselinu nebo chlorid. K otření těchto částí použijte měkký hadřík s tekutým rozpouštědlem (ne brusným) a dávejte pozor, abyste čistili jedním směrem.

i Povrch se může poškodit vlivem některých saponátů nebo čistících materiálů.

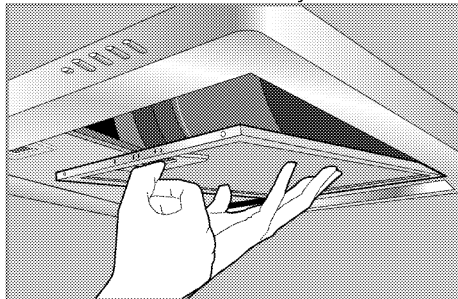
Nepoužívejte agresivní saponáty, čistící prášek/mléko ani ostré předměty při čištění.

i Na čištění nepoužívejte parní čističe.

Hliníkový filtr

Tento filtr zachytává částice oleje ve vzduchu. **Při běžném použití se doporučuje, abyste svůj filtr čistili jednou měsíčně.** Nejprve sejměte hliníkové filtry. Filtry opláchněte ve vodě s čistícím prostředkem a po uschnutí je vložte zpět. Hliníkové filtry mohou díky

mytí postupně měnit barvu. To je normální a filtr nemusíte vyměňovat.



i Hliníkové filtry můžete mýt také v myčce na nádobí.

Vyjměte hliníkové filtry.

1. Zasuňte hliníkový filtr.
2. Filtr lehce snižte a vsuňte. Jinak byste mohli filtr ohnout.
3. Po omytí proveďte výše uvedené kroky v obráceném pořadí.

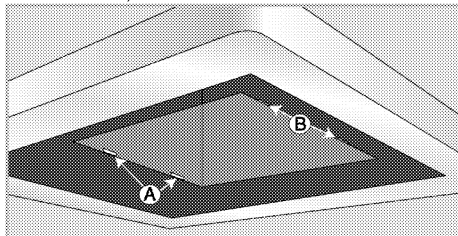
Uhlíkový filtr (použití bez komínu)

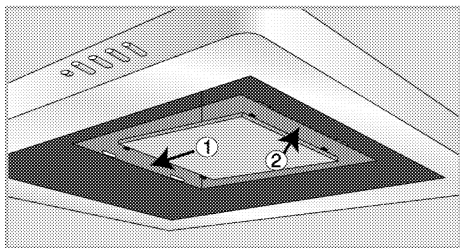
i Uhlíkový filtr nikdy nemyjte.

Při běžném použití je vyměňujte jednou za každé 4 měsíce. **Uhlíkové filtry získáte v autorizovaných servisech.**

Montáž uhlíkového filtru

1. Vyjměte hliníkové filtry
2. Po vyjmutí filtrů zasuňte flexibilní krátké hroty uhlíkového filtru, které jsou součástí produktu do digestoře, do otvoru A, ve směru 1.





3. Dlouhé tvrdé hroty na druhé straně uhlíkového filtru zasuňte do otvoru B ve směru 2.

4. Zkontrolujte, zda jsou oba konce uhlíkového filtru zasunuté pevně.

Výměna žárovky

! Před výměnou žárovky trouby zkontrolujte, zda je výrobek odpojen a vychladl, aby nedošlo k úrazu elektrickým proudem. Je-li horká, nechte ji vychladnout. Horké povrchy mohou způsobovat popáleniny!

i Přečtěte si technické údaje lampy *Technické údaje, strana 10*. Žárovky v troubě získáte od autorizovaného servisního pracovníka.

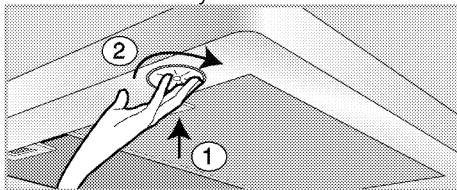
i Poloha žárovky se může lišit oproti obrázku.

i Žárovka použitá v tomto spotřebiči není vhodná k osvětlení místností. Zamýšleným účelem této žárovky je pomoci uživateli vidět na potraviny.



Použít pouze s halogenovou žárovkou nebo halogenidovou výbojkou s vlastním stíněním.

1. Světlo vyjměte stisknutím jeho usazení ve směru hodinových ručiček (1) a potom ho vyjměte otočením proti směru hodinových ručiček.



2. Nové světlo vložte otočením ve směru hodinových ručiček.
3. Když je světlo na místě, ozve se "kliknutí".

6 Odstraňování potíží

Výrobek neodsává

- Hlavní pojistka je vadná nebo uvolněná. >>> Zkontrolujte pojistky v pojistkové skříni. Pokud je to nutné, vyměňte je nebo znovu aktivujte.
- Výrobek není zapojen do zásuvky. >>> Zkontrolujte zapojení zástrčky.
- Tlačítko rychlosti nemusí být nastavené. >>> Stiskněte požadované tlačítko rychlosti.
- Elektřina je odpojená. >>> Zkontrolujte, zda je připojená elektřina. Zkontrolujte pojistky v pojistkové skříni. Pokud je to nutné, vyměňte je nebo znovu aktivujte.

Světlo digestoře nefunguje.

- Je vadná žárovka v digestoři. >>> Vyměňte žárovku v digestoři.
- Elektřina je odpojená. >>> Zkontrolujte, zda je připojená elektřina. Zkontrolujte pojistky v pojistkové skříni. Pokud je to nutné, vyměňte je nebo znovu aktivujte.

i Pokud nemůžete odstranit poruchu ani poté, co jste postupovali podle pokynů obsažených v této části, obraťte se na autorizovaného servisního pracovníka nebo prodejce, u něhož jste výrobek zakoupili. Nikdy se nepokoušejte opravovat vadný výrobek sami.



ZÁKAZNICKÉ CENTRUM BEKO

BEKO SPÓLKA AKCYJNA, organizační složka, Bucharova 1423/6, 158 00 Praha 5 – Stodůlky

7 dní v týdnu od 8:00 do 18:00

poradí nebo pomůže vyřešit záruční, případně pozáruční opravy výrobků Beko

tel. kontakt	222 525 222
tel. kontakt	800 350 333
e-mail	zakaznickecentrum@bekosa.cz
online objednávka opravy spotřebiče	www.bekocr.cz
5 let záruky – podmínky a registrace	www.bekocr.cz

ZÁRUČNÍ PODMÍNKY ČR

- a) Platný a čitelný prodejní doklad, který obsahuje datum prodeje, model spotřebiče a označení prodejce, opravňuje uživatele využít záruku na výrobek v souladu s ustanoveními Občanského zákoníku, v platném znění.
- b) Není-li stanoveno jinak, je záruční doba na výrobek 24 měsíců. Začíná plynout ode dne převzetí věci kupujícím vyjma případu, kdy je nutné uvedení do provozu oprávněnou firmou. V tom případě začne záruční doba plynout ode dne uvedení výrobku do provozu.

Výrobky vyžadující odborné zapojení: plynové a kombinované sporáky a varné desky, dále všechny spotřebiče, které nejsou vybaveny přírodním elektrickým kabelem zakončeným vidlicí. Zapojení spotřebiče je službou hrazenou zákazníkem. Potvrzení je nutné uschovat. Dovozce nezodpovídá za poškození či škody vzniklé chybnou instalací nebo chybným zapojením výrobku.

- c) Záruka vyplývající z těchto záručních podmínek může být uplatněna pouze na území České republiky a týká se pouze a výhradně spotřebičů dovezených do ČR prostřednictvím naší společnosti, BEKO SPÓLKA AKCYJNA, organizační složka, Bucharova 1423/6, 158 00 Praha 5 – Stodůlky, která je oficiálním zastoupením značky Beko pro Českou republiku.
- d) Záruka je poskytována kupujícím (konečným spotřebitelem) v souladu se zákonem č. 634/1992 Sb., o ochraně spotřebitele v platném znění, na výrobek sloužící běžnému používání v domácnosti. Výrobek není určen k průmyslovému použití a poskytování služeb. Spotřebiče, které nejsou používány v domácnosti, nejsou předmětem záruky (hotelová, školská a restaurační zařízení, úklidové firmy atd.)
- e) Práva ze zodpovědnosti za vady výrobku se uplatňují u prodávajícího. Záruční oprava se vztahuje výhradně na závady, které vzniknou v době platnosti záruční lhůty a to výrobní vadou. Takto vzniklé závady je oprávněn odstranit pouze autorizovaný servis.

O odstranění vad výrobku v záruční lhůtě je kupující oprávněn požádat prodejce nebo **Zákaznické centrum Beko** na telefonním čísle: 222 525 222, 800 350 333 nebo online na <https://www.bekocr.cz/objednavka-opravy-spotrebice>.

- f) Zákazník musí pro objednání opravy nahlásit datum zakoupení, model spotřebiče, výrobní a produktové číslo, které se nachází na výrobním štítku každého spotřebiče. Bez nahlášení těchto údajů nebude moci být požadavek zákazníka na bezplatnou opravu vyřešen. Zákazník je také dále povinen poskytnout autorizovanému servisu součinnost potřebnou k ověření existence případně odstranění reklamované vady.

- g) Při návštěvě servisního technika kupující prokáže existenci záruky předložením čitelného prodejního dokladu nebo certifikátu 5 let záruky Beko. Po provedení záruční opravy jsou autorizovaná servisní střediska nebo prodávající povinni vydat kupujícímu čitelnou kopii opravného listu nebo doklad o uplatnění práva záruky a době trvání opravy. Po dobu záruky je kupující povinen uschovat veškeré doklady související s koupí a servisem výrobku.

Opravní list slouží k prokazování práv kupujícího, proto je ve vlastním zájmu kupujícího si zkontrolovat před podpisem veškeré údaje. Záruční lhůta se v případech, kdy závada znemožnila používání výrobku, prodlužuje o dobu, kdy kupující uplatní nárok na záruční opravu u autorizovaného střediska až do dne převzetí opraveného výrobku.

- h) Výrobek musí být instalován a provozován podle návodu k obsluze a platných norem. Funkce chladniček, mrazniček a jejich kombinací je zaručena při okolní teplotě od +10°C do +32°C.

- i) Touto zárukou nejsou dotčena práva kupujícího, která se ke koupí věci váží podle zvláštních právních předpisů.

- j) Společnost BEKO SPÓLKA AKCYJNA, organizační složka, Bucharova 1423/6, 158 00 Praha 5 - Stodůlky nabízí spotřebitelům na vybrané modely prodlouženou záruku vcelkové délce trvání 5 let. Předmětem této nadstandardní záruky je bezplatné odstraňování výrobních vad po dobu následujících 36 měsíců od skončení zákonné dvouleté záruční lhůty. Podmínkou získání certifikátu prodloužené záruky je splnění veškerých podmínek uvedených na www.bekocv.cz.

O odstranění vad výrobku v prodloužené záruční lhůtě je kupující oprávněn požádat Zákaznické centrum Beko na telefonním čísle: 222 525 222, 800 350 333 nebo online na <https://www.bekocv.cz/objednavka-opravy-spotrebice>.

Při opravě v rámci prodloužené záruky je uživatel povinen autorizovanému servisu předložit platný certifikát prodloužené záruky a prodejní doklad.

- k) V době trvání prodloužené záruky bude oprávněná reklamacie řešena opravou nebo dodáním náhradního dílu. V případě neodstranitelné vady zajistí dovozce přímo u zákazníka výměnu výrobku za nový. Nárok na výměnu uplatňuje zákazník po zaslání všech potřebných dokladů (platný certifikát, doklad o zakoupení, vyjádření servisního technika) na e-mail reklamace@bekocv.cz nebo poštou na adresu BEKO SPÓLKA AKCYJNA, organizační složka, Bucharova 1423/6, 158 00 Praha 5 - Stodůlky. Spotřebitel nemá právo v průběhu prodloužené záruky na vrácení kupní částky. Uplatnění práva na bezplatné odstraňování výrobních vad podléhá zde uvedeným všeobecným záručním podmínkám.

Právo na uplatnění záruky zaniká pokud:

- Není výrobek používán v souladu s návodem;
- Došlo k mechanickému poškození výrobku cizím zaviněním, při nesprávné údržbě nebo jiným zanedbáním péče o výrobek;
- Byl na výrobku proveden neodborný zásah neoprávněnou osobou;
- Plynové spotřebiče nebo spotřebiče s napájením 400V nebyly uvedeny do provozu odbornou firmou;
- Došlo k mechanickému poškození při přepravě;
- Je vada způsobená vnějšími podmínkami, jako jsou např. poruchy v elektrické síti nebo vadná bytová instalace, nevhodnými provozními podmínkami, poškození živlem;
- Je výrobek vadný z důvodu použití neoriginálního příslušenství a náhradních dílů;
- Kuchyňská linka, do které je výrobek zabudovaný, nespĺňuje potřebné technické parametry;
- Záruka se dále nevztahuje na preventivní údržbu popsanou v návodu k obsluze, popřípadě závady způsobené nevhodnou manipulací, na opotřebením vzniklé běžným používáním, na mechanické poškození skleněných a plastových komponentů;
- Záruka se nevztahuje na návštěvu technika za účelem poradenství, preventivní kontrolu stavu spotřebiče, výměnu náhradního dílu, který nevyžaduje odborný zásah, záměna směru otevírání dveří chladniček a sušiček.

