

beko

Refrigerator

User manual

Lednice

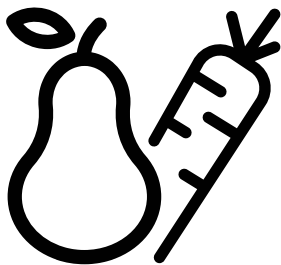
Návod k použití

Chladnička

Používateľská príručka

фрижидер

Упутства за кориснике



RSNE445E32N

CE

EN / CZ / SK / SB

58 4630 0000/AB

1/2

Please read this manual before using the product!

Dear Customer,

We'd like you to make the best use of our product, which has been manufactured in modern facilities with care and meticulous quality controls.



Thus, we advise you to read the entire user manual before you use the product. In case the product changes hands, do not forget to hand the guide to its new owner along with the product.

This guide will help you use the product quickly and safely.

- Please read the user guide carefully before installing and operating the product.
- Always observe the applicable safety instructions.
- Keep the user guide within easy reach for future use.
- Please read any other documents provided with the product.

Keep in mind that this user guide may apply to several product models. The guide clearly indicates any variations of different models.

	Important information and useful tips.
	Risk of life and property.
	Risk of electric shock.
	The product's packaging is made of recyclable materials, in accordance with the National Environment Legislation.

	INFORMATION
	The model information as stored in the product data base can be reached by entering following website and searching for your model identifier (*) found on energy label. https://eprel.ec.europa.eu/

1 Safety and environment instructions 4

General safety 4
Intended use 6
Child safety 6
Compliance with WEEE Directive and Disposing of the Waste Product 6
Compliance with RoHS Directive..... 7
Package information 7

2 Your refrigerator 8

3 Installation 9

Appropriate Installation Location..... 9
Adjusting the Feet 10
Electrical Connection 10

4 Preparation 11

5 Operating the product 12





Freezing fresh food 14
Recommendations for preserving the frozen food..... 15
Deep-freeze information 15
Placing the food..... 16
Door open warning..... 16
Changing the door opening direction 16

6 Maintenance and cleaning 21

7 Troubleshooting 22

This section provides the safety instructions necessary to prevent the risk of injury and material damage. Failure to observe these instructions will invalidate all types of product warranty.

Intended use

	WARNING: Keep ventilation openings, in the appliance enclosure or in the built-in structure, clear of obstruction.
	WARNING: Do not use mechanical devices or other means to accelerate the defrosting process, other than those recommended by the manufacturer.
	WARNING: Do not damage the refrigerant circuit.
	WARNING: Do not use electrical appliances inside the food storage compartments of the appliance, unless they are of the type recommended by the manufacturer.

This appliance is intended to be used in household and similar applications such as

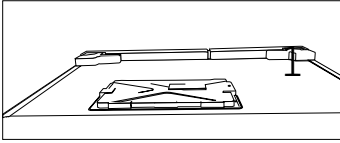
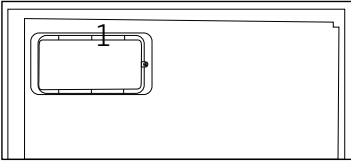
- staff kitchen areas in shops, offices and other working environments;
- farm houses and by clients in hotels, motels and other residential type environments;
- bed and breakfast type environments;

- catering and similar non-retail applications.

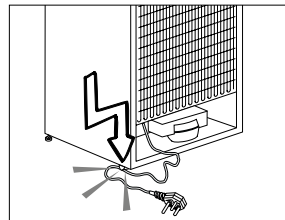
1.1. General safety

- This product should not be used by persons with physical, sensory and mental disabilities, without sufficient knowledge and experience or by children. The device can only be used by such persons under supervision and instruction of a person responsible for their safety. Children should not be allowed to play with this device.
- In case of malfunction, unplug the device.
- After unplugging, wait at least 5 minutes before plugging in again.
- Unplug the product when not in use.
- Do not touch the plug with wet hands! Do not pull the cable to plug off, always hold the plug.
- Do not plug in the refrigerator if the socket is loose.
- Unplug the product during installation, maintenance, cleaning and repair.
- If the product will not be used for a while, unplug the product and remove any food inside.
- Do not use the product when the compartment with circuit cards located on the upper back part of the product (electrical card box cover) (1) is open.

Safety and environment instructions



- Do not use steam or steamed cleaning materials for cleaning the refrigerator and melting the ice inside. Steam may contact the electrified areas and cause short circuit or electric shock!
- Do not wash the product by spraying or pouring water on it! Danger of electric shock!
- In case of malfunction, do not use the product, as it may cause electric shock. Contact the authorised service before doing anything.
- Plug the product into an earthed socket. Earthing must be done by a qualified electrician.
- If the product has LED type lighting, contact the authorised service for replacing or in case of any problem.
- Do not touch frozen food with wet hands! It may adhere to your hands!
- Do not place liquids in bottles and cans into the freezer compartment. They may explode.
- Place liquids in upright position after tightly closing the lid.
- Do not spray flammable substances near the product, as it may burn or explode.
- Do not keep flammable materials and products with flammable gas (sprays, etc.) in the refrigerator.
- Do not place containers holding liquids on top of the product. Splashing water on an electrified part may cause electric shock and risk of fire.
- Exposing the product to rain, snow, sunlight and wind will cause electrical danger. When relocating the product, do not pull by holding the door handle. The handle may come off.
- Take care to avoid trapping any part of your hands or body in any of the moving parts inside the product.
- Do not step or lean on the door, drawers and similar parts of the refrigerator. This will cause the product to fall down and cause damage to the parts.
- Take care not to trap the power cable.



Safety and environment instructions

1.1.1 HC warning

If the product comprises a cooling system using R600a gas, take care to avoid damaging the cooling system and its pipe while using and moving the product. This gas is flammable. If the cooling system is damaged, keep the product away from sources of fire and ventilate the room immediately.



The label on the inner left side indicates the type of gas used in the product.

1.1.2 For models with water dispenser

- Pressure for cold water inlet shall be maximum 90 psi (6.2 bar). If your water pressure exceeds 80 psi (5.5 bar), use a pressure limiting valve in your mains system. If you do not know how to check your water pressure, ask for the help of a professional plumber.
- If there is risk of water hammer effect in your installation, always use a water hammer prevention equipment in your installation. Consult Professional plumbers if you are not sure that there is no water hammer effect in your installation.
- Do not install on the hot water inlet. Take precautions against of the risk of freezing of the hoses. Water temperature operating interval shall be 33°F (0.6°C) minimum and 100°F (38°C) maximum.
- Use drinking water only.

1.2. Intended use

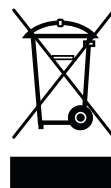
- This product is designed for home use. It is not intended for commercial use.
- The product should be used to store food and beverages only.
- Do not keep sensitive products requiring controlled temperatures (vaccines, heat sensitive medication, medical supplies, etc.) in the refrigerator.
- The manufacturer assumes no responsibility for any damage due to misuse or mishandling.
- Original spare parts will be provided for 10 years, following the product purchasing date.

1.3. Child safety

- Keep packaging materials out of children's reach.
- Do not allow the children to play with the product.
- If the product's door comprises a lock, keep the key out of children's reach.

1.4. Compliance with WEEE Directive and Disposing of the Waste Product

This product complies with EU WEEE Directive (2012/19/EU). This product bears a classification symbol for waste electrical and electronic equipment (WEEE).



This product has been manufactured with high quality parts and materials which can be reused and are suitable for recycling. Do not dispose of the waste product with normal domestic and

Safety and environment instructions

other wastes at the end of its service life. Take it to the collection center for the recycling of electrical and electronic equipment. Please consult your local authorities to learn about these collection centers.

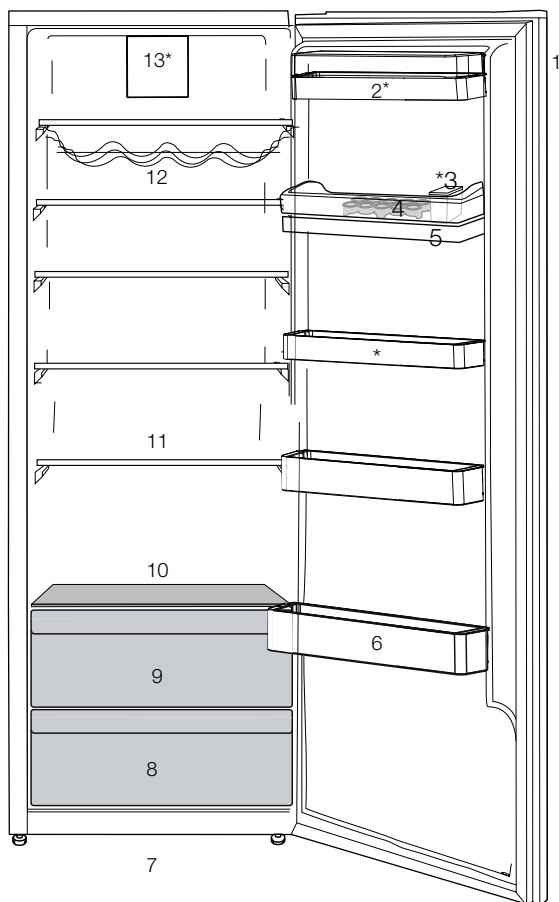
1.5. Compliance with RoHS Directive

- This product complies with EU WEEE Directive (2011/65/EU). It does not contain harmful and prohibited materials specified in the Directive.

1.6. Package information

- Packaging materials of the product are manufactured from recyclable materials in accordance with our National Environment Regulations. Do not dispose of the packaging materials together with the domestic or other wastes. Take them to the packaging material collection points designated by the local authorities.

2 Your refrigerator



- | | |
|---------------------------------|-----------------------------|
| 1. Indicator panel | 8. Crispers |
| 2. Butter & Cheese sections | 9. Chiller |
| 3. Water dispenser filling tank | 10. Chiller cover and glass |
| 4. Egg section | 11. Movable shelves |
| 5. Water dispenser reservoir | 12. Wine cellar |
| 6. Bottle shelves | 13. Fan |
| 7. Adjustable front feet | |

***May not be available in all models**





Figures that take place in this instruction manual are schematic and may not correspond exactly with your product. If the subject parts are not included in the product you have purchased, then it is valid for other models.


3 Installation

3.1. Appropriate Installation Location

Contact an Authorized Service for the installation of the product. In order to prepare the product for use, refer the information in the user manual and ensure that electrical installation and water installation are appropriate. If not, call a qualified electrician and technician to have any necessary arrangements carried out.

 **WARNING:** Manufacturer shall not be held liable for damages that may arise from procedures carried out by unauthorized persons.

 **WARNING:** Product must not be plugged in during installation. Otherwise, there is the risk of death or serious injury!

 **WARNING:** If the door clearance of the room where the product shall be placed is so tight to prevent passing of the product, remove the door of the room and pass the product through the door by turning it to its side; if this does not work, contact the authorized service.

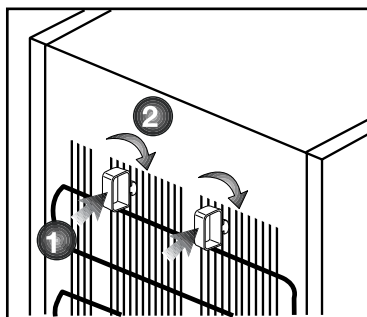
- Place the product on an even floor surface to prevent jolts.
- Install the product at least 30 cm away from heat sources such as hobs, heater cores and stoves and at least 5 cm away from electrical ovens.
- Product must not be subjected to direct sun light and kept in humid places.

- Appropriate air ventilation must be provided around your product in order to achieve an efficient operation. If the product is to be placed in a recess in the wall, pay attention to leave at least 5 cm distance with the ceiling and side walls.

Installing the Plastic Wedges

Plastic wedges supplied with the product are used to create the distance for the air circulation between the product and the rear wall.

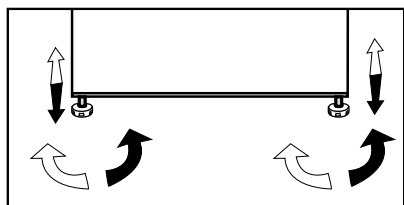
1. To install the wedges, remove the screws on the product and use the screws supplied together with the wedges.
2. Insert the 2 plastic wedges onto the rear ventilation cover as illustrated in the figure.



Installation

3.2. Adjusting the Feet

If the product stands unbalanced after installation, adjust the feet on the front by rotating them to the right or left.



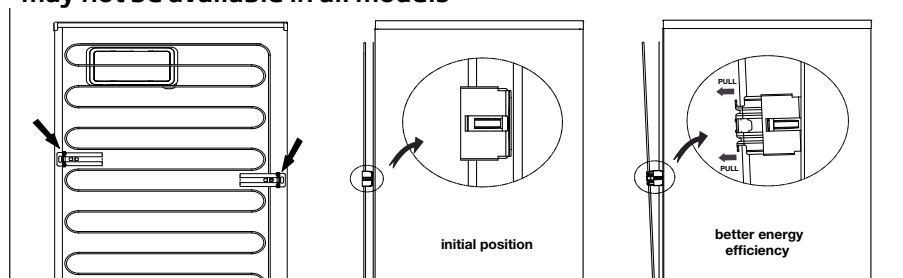
3.3. Electrical Connection

	WARNING: Do not make connections via extension cables or multi-plugs.
	WARNING: Damaged power cable must be replaced by the Authorized Service Agent.
	If two coolers are to be installed side by side, there should be at least 4 cm distance between them.

- Our company shall not be liable for any damages that will arise when the product is used without grounding and electrical connection in accordance with the national regulations.
- Power cable plug must be within easy reach after installation.
- Connect your refrigerator to a grounded outlet rated for a voltage value of 220-240V /50 Hz. Outlet shall have 10 to 16A fuse.
- Do not extension cords or cordless multiple outlets between your product and the wall outlet.

The condenser of your appliance is located on the back as shown below. In order to achieve better energy efficiency with lower energy consumption, please pull the condenser towards yourself as illustrated in picture below.

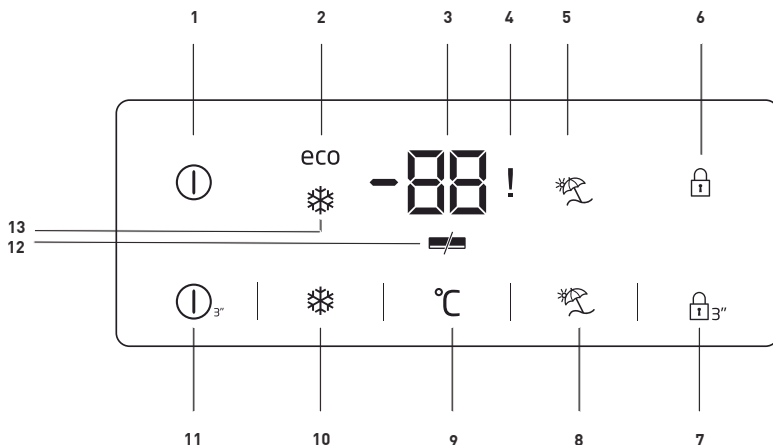
***may not be available in all models**



4 Preparation

- For a freestanding appliance; this refrigerating appliance is not intended to be used as a built-in appliance.
- Your refrigerator should be installed at least 30 cm away from heat sources such as hobs, ovens, central heater and stoves and at least 5 cm away from electrical ovens and should not be located under direct sunlight.
- The ambient temperature of the room where you install your refrigerator should at least be 5°C. Operating your refrigerator under cooler conditions is not recommended with regard to its efficiency.
- Please make sure that the interior of your refrigerator is cleaned thoroughly.
- If two refrigerators are to be installed side by side, there should be at least 2 cm distance between them.
- When you operate your refrigerator for the first time, please observe the following instructions during the initial six hours.
- The door should not be opened frequently.
- It must be operated empty without any food in it.
- Do not unplug your refrigerator. If a power failure occurs out of your control, please see the warnings in the "Recommended solutions for the problems" section.
- Original packaging and foam materials should be kept for future transportations or moving.
- The baskets/drawers that are provided with the chill compartment must always be in use for low energy consumption and for better storage conditions.
- Food contact with the temperature sensor in the freezer compartment may increase energy consumption of the appliance. Thus any contact with the sensor(s) must be avoided.
- In some models, the instrument panel automatically turns off 5 minutes after the door has closed. It will be reactivated when the door has opened or pressed on any key.
- Due to temperature change as a result of opening/closing the product door during operation, condensation on the door/body shelves and the glass containers is normal.
- Since hot and humid air will not directly penetrate into your product when the doors are not opened, your product will optimize itself in conditions sufficient to protect your food. Functions and components such as compressor, fan, heater, defrost, lighting, display and so on will operate according to the needs to consume minimum energy under these circumstances.

5 Operating the product



1. On/Off Indicator:

This icon (ⓘ) come on when the fridge is turned off. All the other icons turn off.

2. Economic Usage Indicator:

This icon (eco) comes on when the Fridge Compartment is set to 8°C which is the most economical set value. Economic Usage Indicator turns off when the Quick Fridge or Quick Freeze function is selected.

3. Fridge Compartment Temperature Setting Indicator:

Indicates the temperature set for the Fridge Compartment.

4. Power failure/High temperature / error warning indicator :

This light (⚡) illuminates during power failure, high temperature failures and error warnings. During sustained power failures, the highest temperature that

the fridge compartment reaches will flash on the digital display.

5. Vacation Indicator:

This icon (☂) lights up when the Vacation Function is active.

6. Key Lock Indicator:

This icon (🔒) lights up when the Key Lock mode is activated.

7. Key Lock Mode:

Press Key Lock (🔒₃) button continuously for 3 seconds. Key lock icon will light up and key lock mode will be activated. Buttons will not function if the Key Lock mode is active. Press Key Lock button continuously for 3 seconds again. Key lock icon will turn off and the key lock mode will be exited.



Figures in this user manual are schematic and may not match the product exactly. If the subject parts are not included in the product you have purchased, then those parts are valid for other models.

Operating the product

8. Vacation Function:

When you press Vacation button, vacation function (☼) is activated and vacation indicator lights. You can use this function when you will not use your fridge for a long time. Note that there should be no food inside your fridge, otherwise fridge can not preserve your food at Vacation mode.

If this function is activated, fridge compartment temperature is kept at 15 °C in order to prevent bad smelling. Press Vacation button again to deactivate vacation function.

9. Fridge Set Function:

This function (°C) allows you to make the Fridge compartment temperature setting. Press this button to set the temperature of the fridge compartment to 8,7,6,5,4,3, and 1 respectively.

10. Quick Fridge Function:

Quick Fridge indicator (❄) turns on when the Quick Fridge function is on. Press Quick Fridge button again to cancel this function. Quick Fridge indicator will turn off and normal settings will be resumed. Quick Fridge function will be cancelled automatically 1 hours later if you do not cancel it manually. If you want to cool plenty amount of fresh food, press Quick Fridge button before you place the food into the fridge compartment.

11. On/Off Function:

This function (ⓐ) allows you to make the Fridge turn off when pressed for 3 seconds. The fridge could be turned on by pressing On/Off button for 3 seconds again.

12. Energy Saving Indicator :

If the product doors are kept closed for a long time energy saving function is automatically activated and energy saving symbol is illuminated. (■/■)

When energy saving function is activated, all symbols on the display other than energy saving symbol will turn off. When the Energy Saving function is activated, if any button is pressed or the door is opened, energy saving function will be canceled and the symbols on display will return to normal.

Energy saving function is activated during delivery from factory and cannot be canceled.

13. Quick Freeze Indicator :

This icon (❄) comes on when the Quick Freeze function is on.

Operating the product

5.1. Freezing fresh food

- In order to preserve the quality of the food, it shall be frozen as quickly as possible when it is placed in the freezer compartment, use the fast freezing feature for this purpose.
- You may store the food longer in freezer compartment when you freeze them while they are fresh.
- Pack the food to be frozen and close the packing so that it would not allow entrance of air.
- Ensure that you pack your food before putting them in the freezer. Use freezer containers, foils and moisture-proof papers, plastic bags and other packing materials instead of traditional packing papers.
- Label each pack of food by adding the date before freezing. You may distinguish the freshness of each food pack in this way when you open your freezer each time. Store the food frozen before in the front side of compartment to ensure that they are used first.



The freezer compartment defrosts automatically.

- Frozen food must be used immediately after they are thawed and they should not be re-frozen.
- Do not freeze too large quantities of food at one time.

Operating the product

Freezer Compartment Setting	Fridge compartment Setting	Remarks
-18°C	4°C	This is the normal recommended setting.
-20,-22 or -24°C	4°C	These settings are recommended when the ambient temperature exceeds 30°C.
Quick Freeze	4°C	Use when you wish to freeze your food in a short time. Your product will return to its previous mode when the process is over.
-18°C or colder	2°C	Use these settings if you think that your fridge compartment is not cold enough because of the hot ambient conditions or frequent opening and closing of the door.

5.2. Recommendations for preserving the frozen food

Compartment shall be set to -18°C at least.

1. Put packages in the freezer as quickly as possible after purchase without allowing the to thaw.
2. Check whether the "Use By" and "Best Before" dates on the packaging are expired or not before freezing it.
3. Ensure that the package of the food is not damaged.

5.3. Deep-freeze information

According to IEC 62552 standards, the product shall freeze at least 4.5 kg of food at 32°C ambient temperature to -18°C or lower within 24 hours for every 100-litres of freezer volume.

It is possible to preserve the food for a long time only at -18°C or lower temperatures.

You can keep the freshness of food for many months (at -18°C or lower temperatures in the deep freeze).

Foods to be frozen should not be allowed to come in contact with the previously frozen items to prevent them from getting thawed partially.

Boil the vegetables and drain their water in order to store vegetables for a longer time as frozen. After draining their water, put them in air-proof packages and place them inside the freezer. Food such as bananas, tomatoes, lettuce, celery, boiled eggs, potatoes are not suitable for freezing. When these foods are frozen, only their nutritional value and taste shall be affected negatively. They shall not be spoiled so that they would create a risk for human health.

Operating the product

5.4. Placing the food

Freezer compartment shelves	Various frozen food such as meat, fish, ice cream, vegetables and etc.
Refrigerator compartment shelves	Food in pans, covered plates and closed containers, eggs (in closed container)
Door shelves of fridge compartment	Small and packaged food or beverage
Crisper	Vegetables and fruits
Fresh zone compartment	Delicatessen (breakfast food, meat products that shall be consumed in a short time)

5.6. Changing the door opening direction

Door opening direction of your refrigerator can be changed according to the place you are using it. If this is necessary, please call your nearest Authorized Service.

Above description is a general expression. For information on changing the opening direction of the door, you must refer to the warning label located on the inner side of the door.

5.5. Door open warning (This feature is optional)

An audio warning signal will be given when the door of your product is left open for at least 1 minute. This warning will be muted when the door is closed or any of the display buttons (if any) are pressed.

Door open warning is given to user both visually and acoustically. If the warning continues for 10 minutes, interior lights will be turned off.

Operating the product

Using the water dispenser

* May not be available in all models



It is normal for the first few glasses of water taken from the dispenser to be warm.

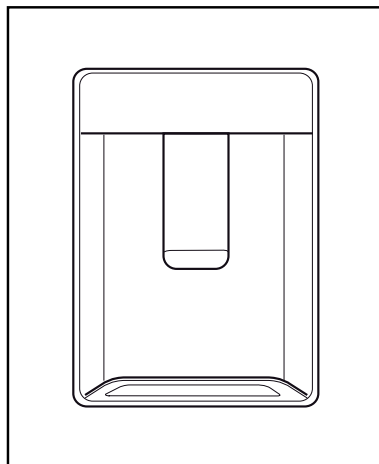


If the water dispenser is not used for a long period of time, dispose of first few glasses of water to obtain fresh water.

1. Push in the lever of the water dispenser with your glass. If you are using a soft plastic cup, pushing the lever with your hand will be easier.
2. After filling the cup up to the level you want, release the lever.



Please note, how much water flows from the dispenser depends on how far you depress the lever. As the level of water in your cup / glass rises, gently reduce the amount of pressure on the lever to avoid overflow. If you slightly press the arm, the water will drip; this is quite normal and not a failure.



Operating the product

Filling the water dispenser's tank

Water tank filling reservoir is located inside the door rack.

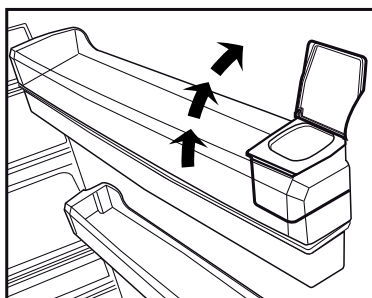
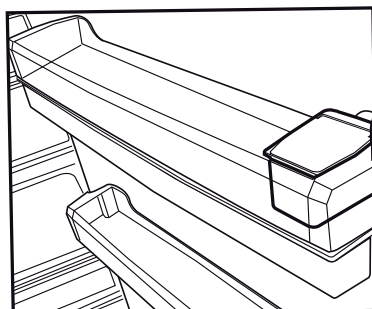
1. Open the cover of the tank.
2. Fill the tank with fresh drinking water.
3. Close the cover.



Do not fill the water tank with any other liquid except for water such as fruit juices, carbonated beverages or alcoholic drinks which are not suitable to use in the water dispenser. Water dispenser will be irreparably damaged if these kinds of liquids are used. Warranty does not cover such usages. Some chemical substances and additives contained in these kinds of drinks/liquids may damage the water tank.



Use clean drinking water only.



Operating the product



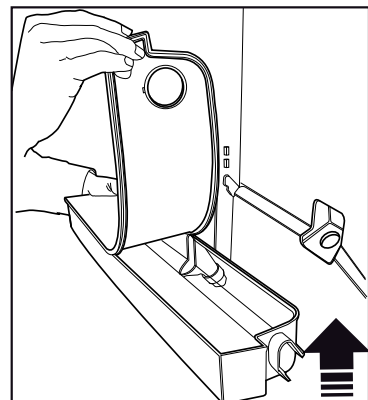
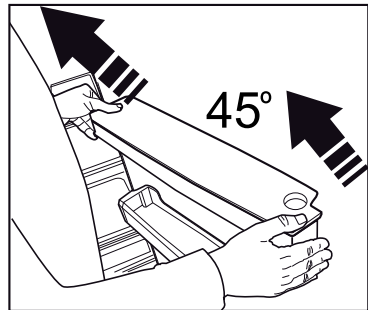
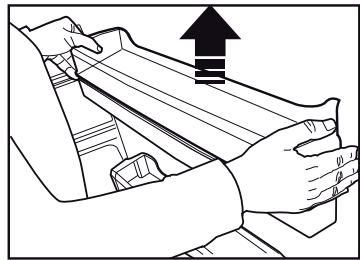
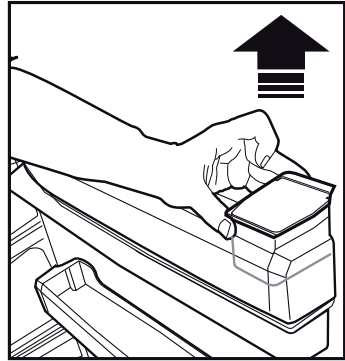
Capacity of the water tank is 3 litres; do not overfill.

Cleaning the water tank

1. Remove the water filling reservoir inside the door rack.
2. Remove the door rack by holding from both sides.
3. Grab the water tank from both sides and remove it with an angle of 45°.
4. Remove the cover of the water tank and clean the tank.



Components of the water tank and water dispenser should not be washed in dishwasher.



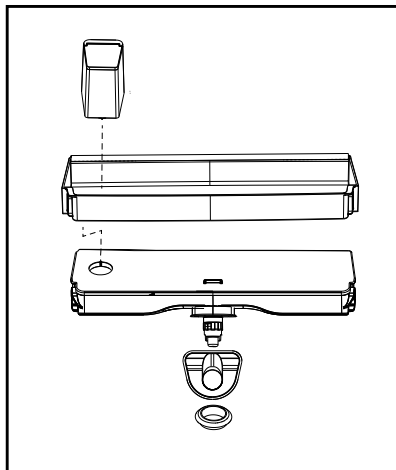
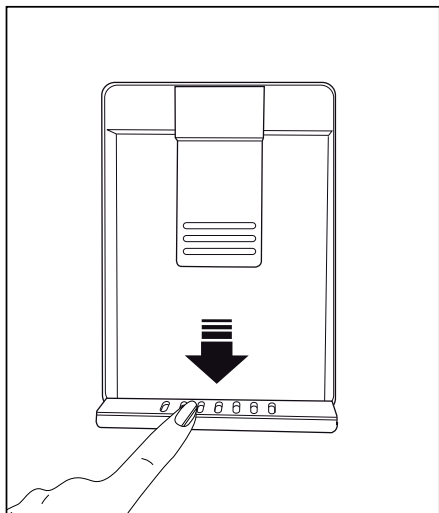
Operating the product

Drip tray

Water that dripped while using the water dispenser accumulates in the spillage tray.

Remove the plastic filter as shown in the figure.

With a clean and dry cloth, remove the water that has accumulated.



Cleaning your fridge at regular intervals will extend the service life of the product.



WARNING:

Unplug the product before cleaning it.

- Never use gasoline, benzene or similar substances for cleaning purposes.
- Never use any sharp and abrasive tools, soap, household cleaners, detergent and wax polish for cleaning.
- For non-No Frost products, water drops and frosting up to a fingerbreadth occur on the rear wall of the Fridge compartment. Do not clean it; never apply oil or similar agents on it.
- Only use slightly damp microfiber cloths to clean the outer surface of the product. Sponges and other types of cleaning cloths may scratch the surface
- Dissolve one teaspoon of bi-carbonate in half litre of water. Soak a cloth with the solution and wrung it thoroughly. Wipe the interior of the refrigerator with this cloth and the dry thoroughly.
- Make sure that no water enters the lamp housing and other electrical items.
- If you will not use the refrigerator for a long period of time, unplug it, remove all food inside, clean it and leave the door ajar.
- Check regularly that the door gaskets are clean. If not, clean them.
- To remove door and body shelves, remove all of its contents.
- Remove the door shelves by pulling them up. After cleaning, slide them from top to bottom to install.

- Never use cleaning agents or water that contain chlorine to clean the outer surfaces and chromium coated parts of the product. Chlorine causes corrosion on such metal surfaces.

6.1 Avoiding bad odours

- Materials that may cause odour are not used in the production of our refrigerators. However, due to inappropriate food preserving conditions and not cleaning the inner surface of the refrigerator as required can bring forth the problem of odour. Pay attention to following to avoid this problem:
 - Keeping the refrigerator clean is important. Food residuals, stains, etc. can cause odour. Therefore, clean the refrigerator with bi-carbonate dissolved in water every few months. Never use detergents or soap.
 - Keep the food in closed containers. Microorganisms spreading out from uncovered containers can cause unpleasant odours.
 - Never keep the food that have passed best before dates and spoiled in the refrigerator.

6.2 Protecting the plastic surfaces

Do not put liquid oils or oil-cooked meals in your refrigerator in unsealed containers as they damage the plastic surfaces of the refrigerator. If oil is spilled or smeared onto the plastic surfaces, clean and rinse the relevant part of the surface at once with warm water.

7 Troubleshooting

Check this list before contacting the service. Doing so will save you time and money. This list includes frequent complaints that are not related to faulty workmanship or materials. Certain features mentioned herein may not apply to your product.

The refrigerator is not working.

- The power plug is not fully settled. >>> Plug it in to settle completely into the socket.
- The fuse connected to the socket powering the product or the main fuse is blown. >>> Check the fuses.

Condensation on the side wall of the cooler compartment (MULTI ZONE, COOL, CONTROL and FLEXI ZONE).

- The door is opened too frequently >>> Take care not to open the product's door too frequently.
- The environment is too humid. >>> Do not install the product in humid environments.
- Foods containing liquids are kept in unsealed holders. >>> Keep the foods containing liquids in sealed holders.
- The product's door is left open. >>> Do not keep the product's door open for long periods.
- The thermostat is set to too low temperature. >>> Set the thermostat to appropriate temperature.

Compressor is not working.

- In case of sudden power failure or pulling the power plug off and putting back on, the gas pressure in the product's cooling system is not balanced, which triggers the compressor thermic safeguard. The product will restart after approximately 6 minutes. If the product does not restart after this period, contact the service.

- Defrosting is active. >>> This is normal for a fully-automatic defrosting product. The defrosting is carried out periodically.
- The product is not plugged in. >>> Make sure the power cord is plugged in.
- The temperature setting is incorrect. >>> Select the appropriate temperature setting.
- The power is out. >>> The product will continue to operate normally once the power is restored.

The refrigerator's operating noise is increasing while in use.

- The product's operating performance may vary depending on the ambient temperature variations. This is normal and not a malfunction.

The refrigerator runs too often or for too long.

- The new product may be larger than the previous one. Larger products will run for longer periods.
- The room temperature may be high. >>> The product will normally run for long periods in higher room temperature.
- The product may have been recently plugged in or a new food item is placed inside. >>> The product will take longer to reach the set temperature when recently plugged in or a new food item is placed inside. This is normal.
- Large quantities of hot food may have been recently placed into the product. >>> Do not place hot food into the product.
- The doors were opened frequently or kept open for long periods. >>> The warm air moving inside will cause the product to run longer. Do not open the doors too frequently.

Troubleshooting

- The freezer or cooler door may be ajar. >>> Check that the doors are fully closed.
- The product may be set to temperature too low. >>> Set the temperature to a higher degree and wait for the product to reach the adjusted temperature.
- The cooler or freezer door washer may be dirty, worn out, broken or not properly settled. >>> Clean or replace the washer. Damaged / torn door washer will cause the product to run for longer periods to preserve the current temperature.

The freezer temperature is very low, but the cooler temperature is adequate.

- The freezer compartment temperature is set to a very low degree. >>> Set the freezer compartment temperature to a higher degree and check again.

The cooler temperature is very low, but the freezer temperature is adequate.

- The cooler compartment temperature is set to a very low degree. >>> Set the freezer compartment temperature to a higher degree and check again.

The food items kept in cooler compartment drawers are frozen.

- The cooler compartment temperature is set to a very low degree. >>> Set the freezer compartment temperature to a higher degree and check again.

The temperature in the cooler or the freezer is too high.

- The cooler compartment temperature is set to a very high degree. >>> Temperature setting of the cooler compartment has an effect on

the temperature in the freezer compartment. Wait until the temperature of relevant parts reach the sufficient level by changing the temperature of cooler or freezer compartments.

- The doors were opened frequently or kept open for long periods. >>> Do not open the doors too frequently.
- The door may be ajar. >>> Fully close the door.
- The product may have been recently plugged in or a new food item is placed inside. >>> This is normal. The product will take longer to reach the set temperature when recently plugged in or a new food item is placed inside.
- Large quantities of hot food may have been recently placed into the product. >>> Do not place hot food into the product.

Shaking or noise.

- The ground is not level or durable. >>> If the product is shaking when moved slowly, adjust the stands to balance the product. Also make sure the ground is sufficiently durable to bear the product.
- Any items placed on the product may cause noise. >>> Remove any items placed on the product.

The product is making noise of liquid flowing, spraying etc.

- The product's operating principles involve liquid and gas flows. >>> This is normal and not a malfunction.

There is sound of wind blowing coming from the product.

- The product uses a fan for the cooling process. This is normal and not a malfunction.

Troubleshooting

There is condensation on the product's internal walls.

- Hot or humid weather will increase icing and condensation. This is normal and not a malfunction.
- The doors were opened frequently or kept open for long periods. >>> Do not open the doors too frequently; if open, close the door.
- The door may be ajar. >>> Fully close the door.

There is condensation on the product's exterior or between the doors.

- The ambient weather may be humid, this is quite normal in humid weather. >>> The condensation will dissipate when the humidity is reduced.

The interior smells bad.

- The product is not cleaned regularly. >>> Clean the interior regularly using sponge, warm water and carbonated water.
- Certain holders and packaging materials may cause odour. >>> Use holders and packaging materials without free of odour.
- The foods were placed in unsealed holders. >>> Keep the foods in sealed holders. Micro-organisms may spread out of unsealed food items and cause malodour. Remove any expired or spoilt foods from the product.

The door is not closing.

- Food packages may be blocking the door. >>> Relocate any items blocking the doors.
- The product is not standing in full upright position on the ground. >>> Adjust the stands to balance the product.

- The ground is not level or durable. >>> Make sure the ground is level and sufficiently durable to bear the product.

The vegetable bin is jammed.

- The food items may be in contact with the upper section of the drawer. >>> Reorganize the food items in the drawer.

If The Surface Of The Product Is Hot.

- High temperatures may be observed between the two doors, on the side panels and at the rear grill while the product is operating. This is normal and does not require service maintenance! Be careful when touching these areas.



WARNING:

If the problem persists after following the instructions in this section, contact your vendor or an Authorised Service. Do not try to repair the product.

Vážení zákazníci,

Rádi bychom Vám poskytli možnost k dosažení optimální účinnosti našeho výrobku, který byl vyroben v moderních zařízeních s důkladnou kontrolou kvality.

Za tímto účelem si před použitím výrobku prosím pozorně přečtete celou příručku a uschovejte si ji jako referenční zdroj. Jestliže výrobek předáte jiné osobě, poskytněte tento návod spolu s výrobkem.

Uživatelská příručka zajistí rychlé a bezpečné používání výrobku.



- Před instalací a použitím výrobku si prosím přečtete uživatelskou příručku.
- Vždy dodržujte platné bezpečnostní předpisy.
- Mějte uživatelskou příručku v dosahu pro budoucí použití.
- Přečtete si prosím všechny další dokumenty dodané s výrobkem.

Nezapomínejte, že tato Uživatelská příručka se může vztahovat na více modelů výrobků. Příručka jasně ukáže všechny variace různých modelů.

Symbols and notes

V uživatelské příručce jsou používány následující symboly:

	Důležité informace a užitečné tipy.
	Nebezpečí života a majetku.
	Riziko zranění elektrickým proudem.
	Obal tohoto výrobku je vyroben z recyklovatelných materiálů, v souladu s Národní legislativou pro životní prostředí.

i INFORMACE	
	
<small>SUPPLIER'S NAME</small> A	
Informace o modelu uložené v databázi výrobků se dají získat zadáním následující webové stránky a vyhledáním identifikátoru vašeho modelu (*), který je uveden na energetickém štítku.	
https://eprel.ec.europa.eu/	

1 Bezpečnostní pokyny a životní prostředí **4**

Všeobecná bezpečnost	4
Účel použití	6
Bezpečnost dětí.....	6
Soulad se směrnicí WEEE a Odstranění odpadů výrobku	7
Soulad se směrnicí RoHS.....	7
Informace o balení	7

2 Vaše chladnička **8**

3 Instalace **9**

Body ke zvážení při přepravě chladničky	9
Než chladničku zapnete	9
Zapojení do sítě.....	10
Likvidace obalu.....	10
Likvidace vaší staré chladničky	10
Umístění a instalace.....	10

4 Příprava **11**

5 Obsluha produktu **12**

Mražení čerstvých potravin	14
Doporučení pro uschování mražených potravin	15
Vkládání potravin	15
Informace o hloubkovém mražení	15
Změna směru otvoru dveří.....	16
Varování na otevření dveří.....	16
Použití dávkovače vody.....	17
Plnění nádrže dávkovače na vodu	17
Čištění nádrže na vodu	18
Odkapávací zásobník.....	19

6 Údržba a čištění **20**

7 Řešení problémů **21**

1 Bezpečnostní pokyny a životní prostředí

Tato část obsahuje bezpečnostní pokyny nezbytné pro zabránění nebezpečí zranění a materiálních škod. Nedodržením těchto pokynů zanikají všechny typy záruky výrobku.

Určené použití

UPOZORNĚNÍ:

V případě, že je zařízení v ochranné fázi nebo umísteno, ujistěte se, zda nejsou odvětrávací dírký uzavřeny.

UPOZORNĚNÍ:

Za účelem urychlení rozpouštění ledu nepoužívejte žádné jiné mechanické zařízení nebo jiný přístroj než ty jež byly doporučeny výrobcem.

UPOZORNĚNÍ:

Pokud je chladidlo v provozu, nezasahujte do jeho obvodu.

UPOZORNĚNÍ:

Uvnitř skladovacích prostor jídla přístroje nepoužívejte jiná elektrická zařízení než ta, která byla doporučena výrobcem.

Toto zařízení bylo navrženo pro použití v domácnosti nebo pro níže uvedené aplikování.

- V kuchyních personálu obchodů, kanceláří a jiných pracovních míst;
- Za účelem použití návštěvníků farem a hotelů, motelů

a jiných míst s ubytováním.

- V prostorách typu penzionů
- V podobných zařízeních, která nejsou stravovacími službami nebo maloobchodem.

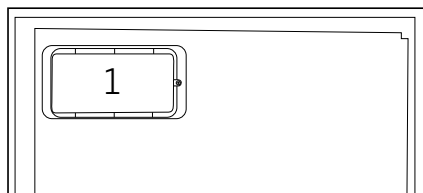
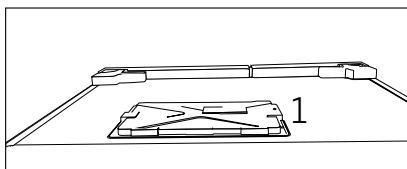
1.1. Všeobecná bezpečnost

- Tento produkt by neměly používat osoby s tělesným, smyslovým a mentálním postižením, osoby bez dostatečných znalostí a zkušeností, nebo děti. Zařízení mohou tyto osoby používat jen pod dohledem a po poučení osobou odpovědnou za jejich bezpečnost. Nedovolte dětem hrát si s tímto zařízením.
- V případě poruchy přístroj odpojte.
- Po odpojení počkejte nejméně 5 minut před opětovným připojením. Odpojte výrobek, když se nepoužívá. Nedotýkejte se zástrčky mokřýma rukama! Při odpojování netahejte za kabel, vždy uchopte zástrčku.
- Před zasunutím dovnitř otřete hrot síťové zástrčky suchým hadříkem.
- Nezapojte ledničku, pokud je zásuvka uvolněná.
- Při instalaci, údržbě, čištění a opravách odpojte výrobek.
- Pokud se výrobek nebude delší dobu používat, odpojte jej a vyjměte potraviny.
- Nepoužívejte páru nebo čisticí prostředky s párou pro čištění chladničky a tání ledu uvnitř. Pára může přijít do styku s elektrifikovanými oblastmi a způsobit zkrat nebo elektrický

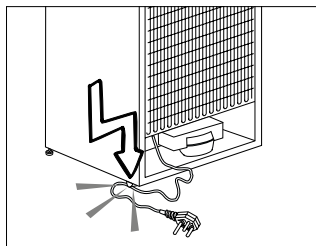
Bezpečnostní pokyny a životní prostředí

šok!

- Nemyjte výrobek stříkáním nebo poléváním vodou na něj! Nebezpečí úrazu elektrickým proudem!
- Nikdy nepoužívejte výrobek, pokud část nacházející se na horní nebo zadní straně výrobku s elektronickou deskou s plošným spojem uvnitř je otevřená (krycí deska elektronických plošných spojů) (1).



- V případě jeho poruchy výrobek nepoužívejte, protože by mohlo dojít k úrazu elektrickým proudem. Před tím, než cokoliv uděláte, se obraťte na autorizovaný servis.
- Výrobek zapojte do uzemněné zásuvky. Uzemnění musí být provedeno kvalifikovaným elektrikářem.
- Pokud produkt má osvětlení typu LED, pro jeho nahrazení nebo v případě jakéhokoliv problému se obraťte na autorizovaný servis.
- Nedotýkejte se mražených potravin mokřýma rukama! Mohou se nalepit na Vaše ruce!
- Nepokládejte do mrazničky tekutiny v lahvích a plechovkách. Mohou vybuchnout!
- Tekutiny umístěte ve vzpřímené poloze a pevně uzavřete jejich víko.
- Nestříkejte hořlavé látky v blízkosti výrobku, protože se může zapálit nebo explodovat.
- Nenechávejte hořlavé materiály a produkty s hořlavým plynem (spreje, atd.) v chladničce.
- Nepokládejte nádoby obsahující kapaliny na horní část výrobku. Voda stříkající na elektrifikované části může způsobit úraz elektrickým proudem a nebezpečí požáru.
- Vystavení produktu dešti, sněhu, slunci a větru může způsobit elektrické nebezpečí. Při přemísťování výrobku jej netahejte držením za rukojeť dveří. Rukojeť se může odtrhnout.
- Dbejte na to, aby nedošlo k zachycení jakékoliv části vašich rukou či těla do jakýchkoli z pohyblivých se částí uvnitř výrobku.
- Nevylézejte nebo se neopírejte o dveře, zásuvky a podobné části chladničky. Může to mít za následek pád výrobku a způsobit poškození dílů.
- Dávejte pozor, aby nedošlo k přivření napájecího kabelu.



1.1.1 Varování HC

Jestliže výrobek obsahuje chladicí systém ve kterém se používá plyn R600a, zajistěte, aby při používání a pohybování spotřebiče nedošlo k poškození chladicího systému a jeho potrubí. Tento plyn je hořlavý. Pokud je chladicí systém poškozen, zajistěte, aby bylo zařízení mimo dosah zdrojů ohně a okamžitě vyvětrejte místnost.



Štítek na vnitřní levé straně označuje druh plynu používaného v produktu.

1.1.2 Pro modely s dávkovačem vody

- Tlak pro přívod studené vody musí být maximálně 90 psi (620 kPa). Pokud je váš tlak vody vyšší než 80 psi (550 kPa), použijte ve vaší síti ventil na omezování tlaku. Pokud nevíte, jak zkontrolovat tlak vody, požádejte o pomoc profesionálního instalatéra.
- Pokud při instalaci existuje riziko vodního rázu, vždy použijte preventivně zařízení proti vodnímu rázu. Pokud jste si není jistý, zda ve Vaší síti je

efekt vodního rázu, poraďte se s profesionálním instalátérem.

- Neinstalujte na přívodu pro teplou vodu. Proveďte nezbytná opatření proti riziku zamrznutí hadic. Provozní interval teplota vody musí být mezi minimálně 33 ° F (0,6 ° C) a maximálně 100 ° F (38 ° C).
- Používejte pouze pitnou vodu.

1.2. Účel použití

- Tento výrobek je určen pro domácí použití. Není určen pro komerční použití.
- Spotřebič by měl být používán pouze pro skladování potravin a nápojů.
- Do chladničky neukládejte citlivé produkty, které vyžadují řízené teploty (očkovací látky, léky citlivé na teplo, zdravotnický materiál, atd.).
- Výrobce nenese žádnou zodpovědnost za případné škody způsobené nesprávným použitím nebo nesprávnou manipulací.
- Životnost výrobku je 10 let. Náhradní díly potřebné pro funkčnost tohoto výrobku budou pro toto období k dispozici.

1.3. Bezpečnost dětí

- Obalové materiály uchovávejte mimo dosah dětí.
- Nedovolte dětem, aby se s výrobkem hrály.
- Pokud je na dveřích výrobku zámek, klíč držte mimo dosah dětí.

1.4. Soulad se směrnicí WEEE a Odstranění odpadů výrobku

Tento výrobek splňuje požadavky směrnice WEEE EU (2012/19/EU). Na tomto produktu je zobrazen symbol klasifikace odpadu elektrických a elektronických zařízení (OEEZ).



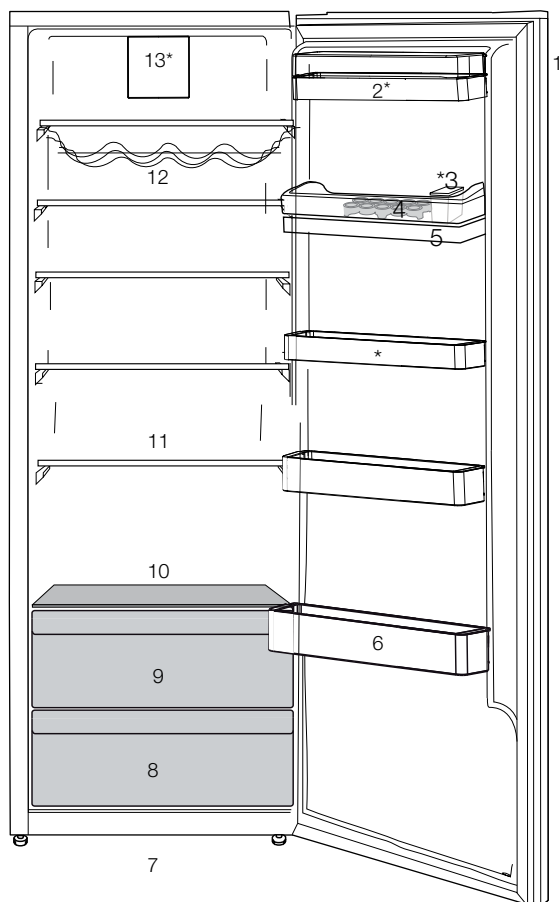
Tento výrobek byl vyroben z vysoce kvalitních materiálů a komponent, které lze opětovně použít a které jsou vhodné pro recyklaci. Na konci své životnosti spotřebič nevyhazujte spolu s běžnými domácími a jinými odpady. Odneste jej do sběrného centra pro recyklaci elektrických a elektronických zařízení. Pro informace o těchto sběrných stredišacích se prosím obraťte na místní úřady.

1.5. Soulad se směrnicí RoHS

- Tento výrobek splňuje požadavky směrnice WEEE EU (2011/65/EU). Neobsahuje škodlivé a zakázané látky uvedené ve směrnici.

1.6. Informace o balení

- Obalové materiály výrobku jsou vyrobeny z recyklovatelných materiálů v souladu s našimi národními předpisy o životním prostředí. Nevyhazujte obalové materiály spolu s domácími nebo jinými odpady. Vezměte je do sběrných míst pro obalové materiály určené místními orgány.



- | | |
|--------------------------------|----------------------------------|
| 1. Displej | 8. Prostor pro čerstvé potraviny |
| 2. Příhrádka na máslo a sýr | 9. Prostor chlazení |
| 3. Plnicí nádrž dávkovače vody | 10. Skleněná police na přihrádky |
| 4. Držák na vajíčka | 11. Nastavitelné police |
| 5. Zásobník dávkovače vody | 12. Držák na lahve |
| 6. Příhrádka na lahve | 13. Ventilátor |
| 7. Nastavitelné přední nožičky | |

*** Nemusí být k dispozici u všech modelů**



Obrázky uvedené v tomto návodu k použití jsou schematické a nemusejí přesně korespondovat s vaším výrobkem. Pokud zobrazené části nejsou obsaženy v produktu, který jste zakoupili, jde o součásti jiných modelů.

3 Instalace



UPOZORNĚNÍ: Nezapomeňte, že výrobce neodpovídá za nedodržení informací uvedených v návodu k použití.

3.1. Body ke zvažení při přepravě chladničky

1. Chladničku je nutno vyprázdnit a vyčistit před jakoukoli přepravou.
2. Police, příslušenství, prostor pro čerstvé potraviny atd. v chladničku je nutno řádně upoutat lepicí páskou, aby nedocházelo k vibracím.
3. Obaly je nutno upevnit silnými páskami a lany a je nutno dodržovat pravidla pro přepravu vytištěná na obalu.

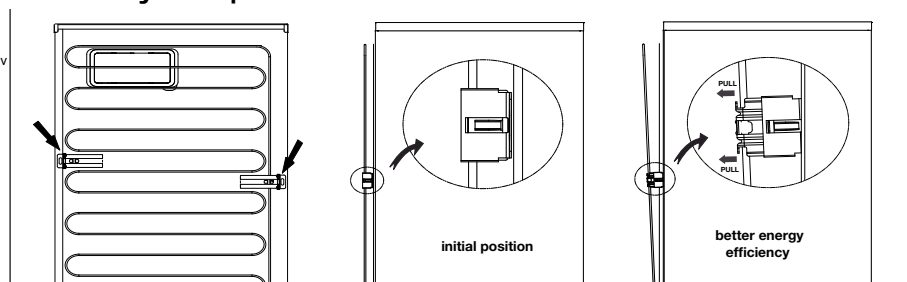
Nezapomeňte...

Každý recyklovaný materiál je nezbytný zdroj pro přírodu a naše národní zdroje.

Pokud chcete přispět k recyklaci obalových materiálů, další informace získáte od orgánů ochrany životního prostředí nebo místních úřadů.

- Kondenzátor Vašeho přístroje se nachází v zadní části, jak je zobrazeno níže. Abyste dosáhli lepší účinnosti s nižší spotřebou energie, vysuňte kondenzátor směrem k sobě, tak jak je zobrazeno na obrázku níže. Pozice kondenzátoru bude pevně upevněna pomocí uzamykacího mechanismu horních držáků po každé straně.

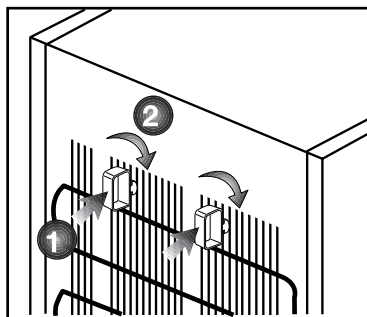
* Nemusí být k dispozici u všech modelů



3.2. Než chladničku zapnete

Než začnete používat chladničku, zkontrolujte následující:

1. Je vnitřek chladničky suchý a může za ní volně obíhat vzduch?
2. Oba plastové klíny nainstalujte podle obrázku. Plastové klíny zajistí potřebnou vzdálenost mezi vaší chladničkou a zdí, aby se zajistilo proudění vzduchu. (Uvedený obrázek je jen příklad a neshoduje se přesně s vaším výrobkem.)
3. Vyčistěte vnitřek chladničky podle kapitoly „Údržba a čištění“.



Instalace

4. Zapojte chladničku do sítě. Po otevření dvířek se rozsvítí vnitřní osvětlení prostoru chladničky.
5. Uslyšíte hluk při startování kompresoru. Kapalina a plyn v chladicí soustavě mohou také vydávat zvuky, i když kompresor neběží, což je poměrně normální.
6. Přední kraje chladničky mohou být teplé. Je to zcela normální. Tyto oblasti mají být teplé, aby nedocházelo ke kondenzaci.

3.3. Zapojení do sítě

Připojte výrobek k uzemněné zásuvce, která je chráněna pojistkou vhodné kapacity.

Důležité:

- Spojení musí být v souladu s národními předpisy.
- Napájecí kabel musí být po instalaci snadno dostupný.
- Specifikované napětí musí být rovné napětí v síti.
- K připojení nepoužívejte prodlužovací kabely a vícecestné zásuvky.



UPOZORNĚNÍ:

Poškozený napájecí kabel musí vyměnit kvalifikovaný elektrikář.



UPOZORNĚNÍ:

Výrobek nesmíte používat, dokud není opraven! Hrozí riziko zásahu elektrickým proudem!

3.4. Likvidace obalu

Obalové materiály mohou být pro děti nebezpečné. Udržujte materiály mimo dosah dětí nebo je zlikvidujte v souladu s pokyny zpracování odpadů. Nelikvidujte je s běžným domovním odpadem.

Balení chladničky je z recyklovatelných materiálů.

3.5. Likvidace vaší staré chladničky

Starou chladničku zlikvidujte tak, abyste neohrozili životní prostředí

- Informace o likvidaci chladničky získáte u autorizovaného prodejce nebo odpadového odboru vašeho města.

Před likvidací vaší chladničky odřízněte zástrčku a v případě, že jsou na dveřích zámky, zneškodněte je, aby nedošlo k ohrožení dětí.

3.6. Umístění a instalace



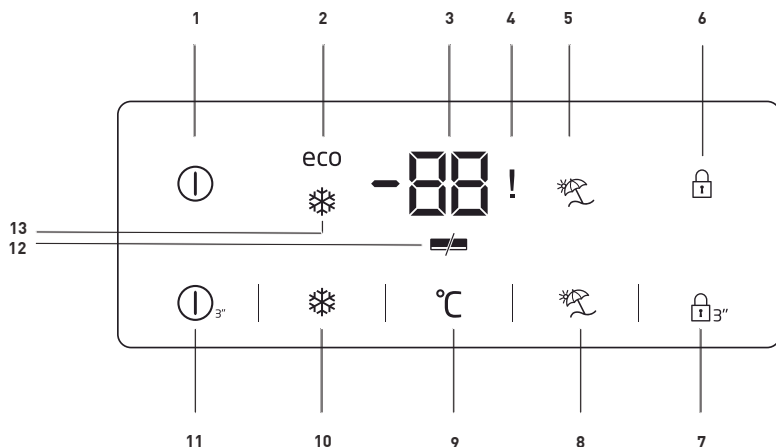
Pokud nejsou vstupní dveře do místnosti, v níž chladničku nainstalujete, dostatečně široké, aby chladnička prošla, kontaktujte autorizovaný servis a nechte sejmut dveře chladničky a protáhněte je bokem.

1. Chladničku umístěte na místo, které umožňuje snadnou obsluhu.
2. Chladničku umístěte mimo zdroje tepla, vlhka a přímé světlo.
3. Kolem chladničky musí být dostatečný prostor pro ventilaci, aby se zajistila účinnost provozu. Pokud máte chladničku umístit do výklenku, musí být nejméně 5 cm od stropu a 5 cm od stěn. Pokud je na podlaze koberec, musíte zvednout produkt o 2,5 cm nad zem.
4. Umístěte chladničku na rovnou podlahu, aby nedocházelo ke kymácení.

4 Příprava

- Pro volně stojící zařízení; "tento chladicí spotřebič není určen k použití jako zabudovaný spotřebič".
- Chladničku instalujte nejméně 30 cm od zdrojů tepla, jako jsou varné desky, trouby, ústřední topení a sporáky a nejméně 5 cm od elektrických trub, neumísťujte ji na přímé sluneční světlo.
- Teplota prostředí v místnosti, kde instalujete chladničku, by měla být nejméně 5°C. Používání chladničky za chladnějších podmínek se nedoporučuje vzhledem k její účinnosti.
- Zajistěte, aby byl vnitřek vaší chladničky důkladně vyčištěn.
- Pokud vedle sebe instalujete dvě chladničky, měl by mezi nimi být rozstup nejméně 2 cm.
- Když spustíte chladničku poprvé, dodržujte následující pokyny během prvních šesti hodin.
- Dveře neotevírejte často.
- Musí běžet prázdná bez vkládání potravin.
- Neodpojujte chladničku. Pokud dojde k výpadku energie, prostudujte si varování v kapitole "Doporučená řešení problémů".
- Vždy používejte koše/zásuvky poskytované s chladícím prostorem v zájmu nízké spotřeby energie a lepších podmínek skladování.
- Styk potravin s čidlem teploty v mrazničce může zvýšit spotřebu energie zařízení. Zabraňte tedy jakémukoliv kontaktu s čidlem (čidly).
- Původní obaly a pěnové materiály uschovejte pro budoucí přepravu či přesun.
- U některých modelů se přístrojová deska automaticky vypne po 5 minutách po tom, jak byly dveře uzavřeny. Opět se aktivuje, když se dveře otevřou nebo po stisknutí libovolné klávesy.
- Vzhledem ke změně teploty v důsledku otevření/zavření dveří během provozu je běžné, že se na dveřích/poličkách a skleněných nádobách objeví kondenzace.
- Protože horký a vlhký vzduch se nedostane přímo do vašeho výrobku, když nejsou dvířka otevřena, spotřebič se optimalizuje ve stávajících podmínkách tak, aby nadějně chránil jídlo umístěné uvnitř. Funkce a součásti, jako jsou kompresor, ventilátor, rozmrazovač, osvětlení, displej aj., budou fungovat tak, aby za těchto podmínek spotřebovávali minimální množství energie.

5 Obsluha produktu



1. Kontrolka Zap./Vyp.

Tato ikona (ⓘ) se rozsvítí, když se chladnička vypne. Všechny ostatní ikony zhasnou.

2. Kontrolka ekonomického využití:

Tato ikona (eco) se rozsvítí, je-li chladnička nastaven na 8°C, což je nejúspornější nastavená hodnota. Kontrolka ekonomického využití zhasne, zvolíte-li funkci rychlého chlazení či rychlého mrazení.

3. Prostor chladničky - ukazatel nastavení teploty

Označuje teplotu nastavenou v chladničce.

4. Kontrolka výpadku napájení/ vysoké teploty/výstrahy na vysokou teplotu/chybu:

Tato kontrolka (!) se rozsvítí při poruchách způsobených výpadkem

napájení, vysokými teplotami a při chybových hlášeních. Během setrvalých výpadků napájení se nejvyšší teplota, které chladnička dosáhne, rozblíká na digitálním displeji.

5. Ukazatel dovolená:

Tato ikona (🌴) se rozsvítí, když je aktivní funkce Dovolená.

6. Kontrolka zámku tlačítek:

Tato ikona (🔒) se rozsvítí když je aktivní funkce zámku.

7. Režim zámku tlačítek:

Tlačítko (🔒_{3s}) držte po dobu 3 sekund. Ikona zámku tlačítek se rozsvítí a aktivuje se režim zámku tlačítek. Tlačítka nebudou funkční v režimu zámku tlačítek. Znovu stiskněte tlačítko zámku tlačítek na 3 sekundy. Ikona zámku tlačítek zhasne a ukončí se režim zámku tlačítek.



Obrázky uvedené v tomto návodu k použití jsou schematické a nemusí přesně korespondovat s vaším výrobkem. Pokud zobrazené části nejsou obsaženy v produktu, který jste zakoupili, jde o součásti jiných modelů.

8. Funkce Dovolená:

Když stisknete tlačítko Dovolená, aktivuje se funkce Dovolená (☼) a rozsvítí se kontrolka Dovolená. Tuto funkci můžete použít, když nebudete chladničku dlouhou dobu používat. Upozorňujeme, že v chladničce nesmí zůstat žádné jídlo, v takovém případě chladnička v režimu Dovolená vaše jídlo neuchová.

Je-li tato funkce aktivovaná, teplota v prostoru chladničky zůstane na 15 °C, aby se předešlo vzniku zápachu. Dalším stiskem tlačítka dovolená funkci dovolená vypnete.

9. Funkce nastavení chladničky:

Tato funkce (°C) vám umožňuje provádět nastavení teploty prostoru chladničky. Stiskem tohoto tlačítka nastavíte teplotu prostoru chladničky na 8,7,6,5,4,3 a 1.

10. Funkce rychlého chlazení:

Kontrolka Rychlé chlazení (❄) se rozsvítí, když spustíte funkci Rychlé chlazení. Funkci zrušíte dalším stiskem tlačítka Rychlé chlazení. Ukazatel rychlého chlazení zhasne a obnoví se normální nastavení. Funkce Rychlé chlazení se zruší automaticky o 1 hodinu později, pokud ji nezrušíte manuálně. Pokud chcete zchladit velké množství čerstvých potravin, stiskněte tlačítko rychlého chlazení před vložením potravin do prostoru chladničky.

11. Funkce Zap./Vyp.:

Tato funkce (Ⓜ) vám umožňuje vypnout chladničku, budete-li ji tisknout po dobu 3 sekund. Chladničku lze zapnout tisknutím tlačítka zapnutí/vypnutí opět

po dobu 3 sekund.

12. Ukazatel úspory energie:

Jsou-li dveře produktu ponechány zavřené dlouhou dobu, automaticky se aktivuje funkce úspory energie a rozsvítí se příslušný symbol. (⏻)

Když je funkce úspora energie aktivní, všechny ostatní symboly na displeji zhasnou. Když je aktivována funkce úspory energie, pokud stisknete jakékoli tlačítko nebo otevřete dvířka, režim úspory energie se ukončí a ikony na displeji se vrátí do normálu.

Funkce úspory energie se aktivuje během doručení z továrny a nelze ji zrušit.

13. Kontrolka Rychlé mrazení:

Tato ikona (❄) se rozsvítí když spustíte funkci rychlého mrazení.

Používání chladničky

Nastavení mrazničky	Nastavení chladničky	Vysvětlivky
-18°C	4°C	Toto je normální doporučené nastavení.
-20, -22 nebo -24°C	4°C	Tato nastavení jsou doporučena, pokud teplota prostředí přesáhne 30°C.
Rychlé mrazení	4°C	Toto nastavení použijte, pokud chcete rychle zmrazit potraviny. Jakmile proces skončí, chladnička se vrátí na předchozí režim.
-18°C chladněji nebo	2°C	Pokud se domníváte, že v chladničce není dostatečně chladno kvůli vysoké teplotě nebo častému otevírání a zavírání dveří.
-18°C chladněji nebo	Rychlé mrazení	Můžete je použít, když je prostor chladničky přeplněný nebo chcete rychle ochladit potraviny. Doporučujeme aktivovat funkci rychlého mrazení 4-8 hodin před vložením potravin.

5.1. Mrazení čerstvých potravin

- Je nutno zabalit nebo zakrýt potraviny, než je umístíte do chladničky.
 - Horké potraviny je nutno zchladit na pokojovou teplotu, než je vložíte do chladničky.
 - Potraviny, které chcete zmrazit, musejí být čerstvé a kvalitní.
 - Potraviny je nutno rozdělit na části podle potřeb rodiny na den či jednotlivé jídlo.
 - Potraviny je nutno vzduchotěsně zabalit, aby nevyschly, i když je chcete skladovat krátce.
 - Materiály, které použijete na balení, musejí být pevné a odolné vůči chladu, vlhkosti, zápachu, oleji a kyselinám, měly by být i vzduchotěsné. Navíc mají být uzavřené a vyrobeny z materiálů, které se snadno používají a jsou vhodné pro hloubkové mrazení.
1. Mražené potraviny je nutno použít rychle poté, co rozmrznou, neměly by se znovu mrazit.
 2. Pro dosažení nejlepších výsledků prosím dodržujte následující pokyny.
 1. Nezmrazujte příliš velké množství najednou. Množství potravin se nejlépe uchovává, pokud se zmrazí hloubkově a co nejrychleji.
 2. Umístěním teplých potravin do mrazničky uvedete chladicí kompresor do nepřetržitého chodu, dokud nejsou potraviny zcela zmrzlé.
 3. Dávejte zvýšený pozor, abyste nesmísili již zmrzlé a čerstvé potraviny.

Používání chladničky

5.2. Doporučení pro uschování mražených potravin

- Balené mražené potraviny uskladněte v souladu s pokyny výrobce mražených potravin pro *** ** *** (4hvězdičkový) prostor pro mražené potraviny.
- Pro zajištění vysoké kvality podle výrobce a prodejce mražených potravin nezapomeňte dodržovat následující body:

1. Balení vkládejte do mrazničky co nejrychleji po zakoupení.
2. Ověřte, zda je na obsahu uvedeno označení a datum.
3. Nepřekračujte data spotřeby na obalu.

Odmrazování

Prostor chladničky se odmrazuje automaticky.

5.3. Vkládání potravin

Police prostoru mrazničky	Různé mražené potraviny, jako je maso, ryby, zmrzlina, zelenina atd.
Tácek na vejce	Vejce
Police mrazicího prostoru	Potraviny v pánvích, přikrytých talířích, uzavřených nádobách
Police dveří prostoru chladničky	Malé a balené potraviny či nápoje (např. mléko, ovodný džus a pivo)
Prostor pro čerstvé potraviny	Zelenina a ovoce
Prostor pro čerstvé potraviny	Jemné potraviny (sýr, máslo, salám atd.)

5.4. Informace o hloubkovém mražení

Potraviny je nutno zmrazit co nejrychleji, když je vložíte do

chladničky, aby zůstaly v dobré kvalitě.

Je možné udržet potraviny dlouhodobě jen při -18°C nebo nižších teplotách.

Čerstvé potraviny můžete uchovat mnoho měsíců (při -18°C nebo nižších teplotách při hloubkovém mražení).



UPOZORNĚNÍ!

- Potraviny je nutno rozdělit na části podle potřeb rodiny na den či jednotlivé jídlo.
- Potraviny je nutno vzduchotěsně zabalit, aby nevyschly, i když je chcete skladovat krátce.
- Materiály nezbytné pro balení:
- Lepicí páska odolná vůči chladu
- Samolepicí páska
- Gumičky
- Pero

Materiály, které použijete na balení potravin, musejí být pevné a odolné vůči chladu, vlhkosti, zápachu, oleji a kyselinám.

Potraviny by neměly být v kontaktu s předtím zmraženými potravinami, aby nedošlo k částečnému rozmražení.

Mražené potraviny je nutno použít rychle poté, co rozmrznou, neměly by se znovu mrazit.

- „Funkci rychlého mražení“ aktivujte minimálně 24 hodin před vložením čerstvých potravin.

- Vložte 2 ks ledových sáčků (jsou-li k dispozici)

do spodní části zásuvky.

- Čerstvé potraviny dejte na 2. a 3. policičku odspodu. (Maximální kapacity dosáhnete vyjmutím zásuvek.)

5.5. Změna směru otvoru dveří

Směr otvoru dveří vaší chladničky lze změnit dle místa, na kterém ho používáte. V případě potřeby se obraťte na nejbližší autorizovaný servis.

5.6. Varování na otevření dveří

Akustický signál se ozve, když necháte dveře prostoru chladničky nebo mrazničky otevřené určitou dobu. Tento akustický signál se ztlumí, jakmile stisknete jakékoli tlačítko na ukazateli nebo po uzavření dveří.

5.7. Použití dávkovače vody

*** Nemusí být k dispozici u všech modelů**



Je normální, že prvních několik sklenic vody odebraných z dávkovače vody bude obvykle teplých.



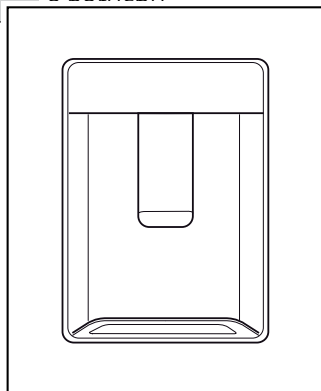
Pokud se dávkovač vody nepoužíval delší dobu, abyste získali čistou vodu, první sklenice vody vylijte.

1. Zatlačte sklenicí o páku dávkovače vody. Pokud používáte měkký plastový kelímeček, bude snazší páku stisknout rukou.

2. Po naplnění poháru po požadované úrovni, uvolněte páku.



Upozorňujeme, že z dávkovače vyteče tolik vody, jak daleko potlačíte páku. Když hladina vody ve Vaší šálku / sklenici stoupne, jemně snižte množství tlaku na páku, abyste zabránili přetečení. Pokud páku lehce stisknete, bude kapat voda; to je zcela normální a nejde



5.8. Plnění nádrže dávkovače na vodu

Plnicí nádrž Vodní nádrže je umístěna uvnitř stojanu dveří.

- 1.** Otevřete kryt nádrže.
- 2.** Naplňte nádrž čerstvou pitnou vodou.
- 3.** Zavřete kryt.



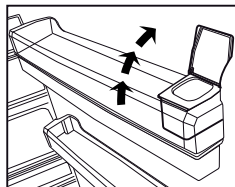
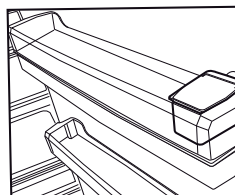
Neplňte nádrž na vodu s jinou kapalinou kromě vody, jako jsou například ovocné džusy, syčené nápoje a alkoholické nápoje, které nejsou vhodné pro použití v dávkovači vody. V případě použití těchto druhů kapalin se dávkovač vody nenapravitelně poškodí. Záruka se nevztahuje na takové použití. Některé chemické látky a přísady obsažené v těchto druhů nápojů / kapalin mohou poškodit nádržku na vodu.



Používejte pouze čistou pitnou vodu.



Kapacita nádrže na vodu je 3 litry; nepřepĺňujte ji.

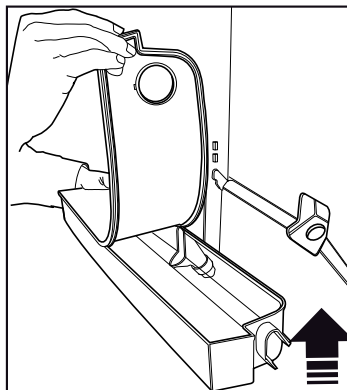
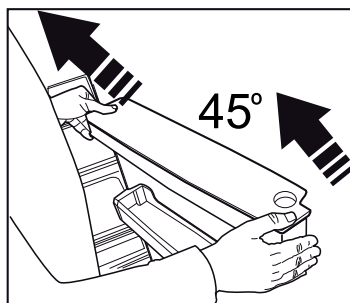
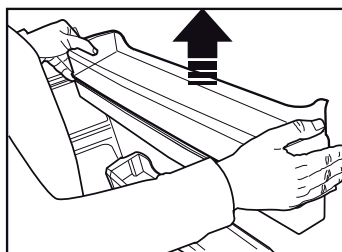
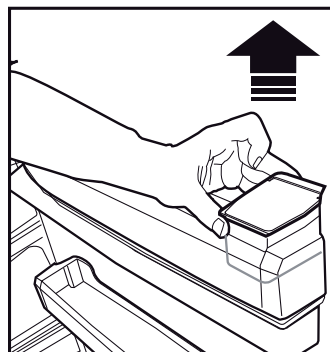


5.9. Čištění nádrže na vodu

1. Vyberte nádrž na vodu uvnitř rámu dveří.
2. Odstraňte rám dveří jejich přidržením z obou stran.
3. Chyťte nádržku na vodu z obou stran a odstranit ji pod úhlem 45 ° C.
4. Odstraňte kryt zásobníku na vodu a vyčistěte nádrž.



Součásti nádrže na vodu a dávkovač vody nemyjte v myčce nádobí.

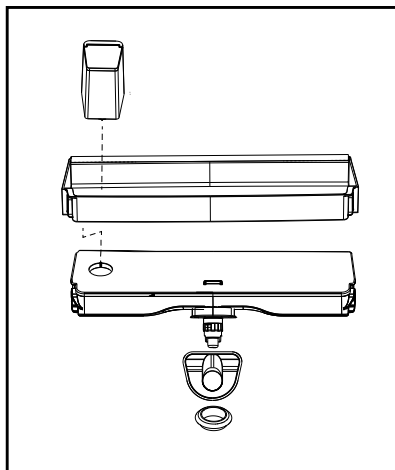
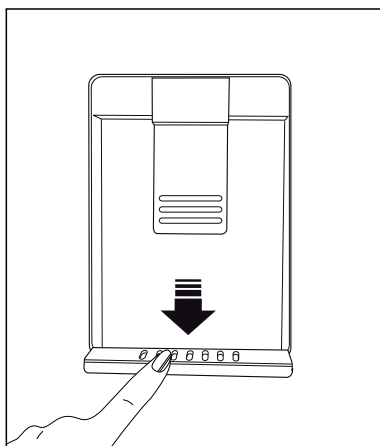


5.10. Odkapávací zásobník

Voda, která při použití dávkovače vody vykvapkala, se hromadí v odkapávacím zásobníku.

Odstraňte plastový filtr, jak je znázorněno na obrázku.

S čistým a suchým hadříkem odstraňte nahromaděnou vodu.



6 Údržba a čištění

Čistěte produkt pravidelně, čímž prodloužíte jeho životnost.



UPOZORNĚNÍ: Před čištěním chladničku odpojte od napájení.

- Nikdy nepoužívejte ostré a drsné nástroje, mýdlo, domácí čisticí prostředky, čisticí prášky, plyn, benzín, laky a podobné látky na čištění.
- U produktů, které nejsou No Frost, se mohou na zadní stěně chladničky objevit kapky vody a námraza na tloušťku prstu. Nečistěte; nikdy nepoužívejte olej nebo podobné prostředky.
- Pro čištění vnějšího povrchu produktu používejte pouze mírně navlhčené utěrky z mikrovláken. Houbičky a jiné typy čisticích ubrousků mohou poškrábat povrch.
- Rozpusťme lžičku uhlíčitánu ve vodě. Navlhčete kousek hadry ve vodě a vyždímejte ji. Otřete přístroj s touto látkou a důkladně osušte.
- Dávejte pozor, aby se voda nedostala do krytu lampy a jiných elektrických částí.
- Vyčistěte dveře pomocí vlhkého hadříku. Odstraňte všechny položky uvnitř pro vyjmutí poliček ze dveří a samotné chladničky. Zvedněte dveřní police až do jejich odpojení se. Vyčistěte a osušte police, pak je umístěte zpět na jejich místo zasunutím shora.
- Nepoužívejte chlorovou vodu nebo čisticí prostředky na vnějším povrchu a pochromovaných částech výrobku. Chlor může na takových kovových površích způsobit korozi.
- Nikdy nepoužívejte ostré a drsné nástroje nebo mýdlo, domácí čisticí prostředky, čisticí prostředky, benzín,

benzen, vosk, atd., v opačném případě se na plastových dílech objeví skvrny a dojde k jejich deformaci. K čištění použijte teplou vodu a měkký hadřík a otřete je do sucha

6.1 Prevence před zápachem

Výrobek je vyroben bez jakýchkoliv pachových látek. Nicméně, udržování jídla v nesprávných částech a nesprávné čištění vnitřních povrchů může vést k zápachu.

Aby k tomu nedošlo, očistěte vnitřek se sodovou vodou každých 15 dní.

- Uchovávejte potraviny v uzavřených obalech. Mikroorganismy se mohou z neuzavřených potravin rozšířit a způsobit zápach.
- Nenechávejte potraviny se zašlým datem spotřeby a zkažené potraviny v chladničce.

6.2 Ochrana plastových povrchů

Olaj vyteklý na plastové povrchy může poškodit povrch a musí být ihned umytý teplou vodou.

7 Řešení problémů

Než se obrátíte na servis, viz následující seznam. Může Vám to ušetřit čas i peníze. Tento seznam obsahuje časté stížnosti, které nejsou spojeny s chybným zpracováním nebo poškozením materiálu. Některé funkce uvedené v tomto dokumentu se nemusí vztahovat na váš produkt.

Chladnička nefunguje.

Zástrčka není úplně nasazena. >>> Zapojte ji úplně do zásuvky.

Pojistka připojená do zásuvky která napájí produkt nebo hlavní pojistka je spálená. >>> Zkontrolujte pojistky.

Kondenzace na boční stěně chladicího prostoru (MULTI ZÓNA, CHLADÍCÍ, KONTROLNÍ a FLEXI ZÓNA).

- Dveře se otevírají příliš často >>> Dbejte na to, abyste dveře výrobku neotvírali příliš často.
- Prostředí je příliš vlhké. >>> Neinstalujte výrobek ve vlhkém prostředí.
- Potraviny obsahující tekutiny jsou uchovávány v neuzavřených nádobách. >>> Uchovávejte potraviny, které obsahují tekutiny v uzavřených nádobách.
- Dveře výrobku byly ponechány otevřené. >>> Nenechávejte dveře chladničky otevřené po delší dobu.
- Termostat je nastaven na příliš nízkou teplotu. >>> Nastavte termostat na vhodnou teplotu.

Kompresor nepracuje.

- V případě náhlého výpadku proudu nebo vytažení napájecího kabelu a po jeho opětovném připojení tlak plynu v chladicím systému výrobku není vyvážený, což spustí tepelný jistič kompresoru. Produkt se restartuje po přibližně 6 minutách. Když se výrobek po uplynutí této doby restartován, obraťte se na servis.
- Je aktivní rozmrazování. >>> To je normální pro chladničku s plně automatickým rozmrazováním. Odmrazování se provádí pravidelně.
- Produkt není zapojen do elektrické sítě >>> Ujistěte se, že napájecí kabel je zapojen.
- Nastavení teploty je nesprávné. >>> Zvolte odpovídající nastavení teploty.
- Není proud. >>> Produkt bude nadále fungovat normálně po obnovení napájení.

Provozní hluk chladničky se při používání zvyšuje.

- Provozní výsledky tohoto výrobku se mohou lišit v závislosti na změnách teploty okolního prostředí. To je normální a nejedná se o závadu.

Chladnička běží příliš často nebo příliš dlouho.

Řešení problémů

- Nový výrobek může být větší než ten předchozí. Větší výrobky budou pracovat po delší dobu.
- Teplota v místnosti může být vysoká. >>> Výrobek bude v místnosti s vyšší teplotou spuštěn po delší dobu.
- Výrobek mohl být zapojen nedávno nebo v něm byly umístěny nové položky potravin. >>> Výrobek dosáhne nastavenou teplotu déle, když byl jen právě zapojen nebo do něj byly umístěny nové potraviny. To je normální.
- Do výrobku bylo v poslední době umístěno velké množství teplého jídla. >>> Nepokládejte horké jídlo do výrobku.
- Dveře byly často otevřené nebo zůstaly otevřené po delší dobu. >>> Teplý vzduch pohybující se uvnitř způsobí, že výrobek bude v provozu déle. Neotvírejte dveře chladničky příliš často.
- Dveře mrazničky nebo chladničky mohli zůstat pootevřené. >>> Zkontrolujte, zda jsou dveře úplně zavřené.
- Výrobek může být nastaven na příliš nízkou teplotu. >>> Nastavte teplotu na vyšší stupeň a počkejte, až výrobek dosáhne nastavenou teplotu.
- Podložky dveří chladničky nebo mrazničky mohou být špinavé, opotřebované, rozbité nebo nesprávně nasazené. >>> Vyčistěte nebo vyměňte podložky. Poškozené / roztrhané podložky dveří způsobí, že výrobek bude běžet delší dobu pro zachování aktuální teploty.

Teplota mražení je velmi nízká, ale teplota chladiče je dostačující.

- Teplota prostoru mrazničky je nastavena na velmi nízký stupeň. >>> Nastavte teplotu v mrazniče na vyšší stupeň a znovu zkontrolujte.

Teplota chlazení je velmi nízká, ale teplota mrazničky je dostačující.

- Teplota prostoru chladničky je nastavena na velmi nízký stupeň. >>> Nastavte teplotu v chladniče na vyšší stupeň a znovu zkontrolujte.

Potraviny uchovávané v chladnějším zásuvek prostor jsou zmrazeny.

- Teplota prostoru chladničky je nastavena na velmi nízký stupeň. >>> Nastavte teplotu v mrazniče na vyšší stupeň a znovu zkontrolujte.

Řešení problémů

Teplota v chladničce nebo v mrazničce je příliš vysoká.

- Teplota prostoru chladničky je nastavena na velmi vysoký stupeň. >>> Nastavení teploty chladicí části ovlivňuje teplotu v mrazničce. Změňte teplotu v chladicí nebo mrazicí části a počkejte, dokud příslušné přihrádky dosáhnou nastavenou úroveň teploty.
- Dveře byly často otevřené nebo zůstaly otevřené po delší dobu. >>> Neotvírejte dveře chladničky příliš často.
- Dveře mohou být pootevřena. >>> Úplně zavřete dveře.
- Produkt mohl být zapojen nedávno nebo v něm byly umístěny nové položky potravin. >>> To je normální. Výrobek dosáhne nastavenou teplotu déle, když byl jen právě zapojen nebo do něj byly umístěny nové potraviny.
- Do výrobku bylo v poslední době umístěno velké množství teplého jídla. >>> Nepokládejte horké jídlo do výrobku.

Třese se nebo vydává hluk.

- Podlaha není ve vodováze nebo není odolná. >>> Pokud se výrobek třese, když se pomalu pohybuje, nastavte stojany na vyrovnání výrobku. >>> Ujistěte se také, že podlaha je dostatečně odolná k tomu, aby unesla produkt.
- Všechny položky umístěné na výrobku můžou způsobit hluk. >>> Odstraňte všechny položky umístěné na výrobku.

Výrobek vytváří hluk tekoucí, stříkající kapaliny apod.

- Princip fungování tohoto výrobku je založen na toku kapalin a plynu. >>> To je normální a nejedná se o závadu.

Z výrobku zní zvuk jako vanoucí vítr.

- Výrobek pro proces chlazení používá ventilátor. To je normální a nejedná se o závadu.

Na vnitřních stěnách výrobku se vytvořil kondenzát.

- Horké nebo vlhké počasí zvýší námrazu a kondenzaci. To je normální a nejedná se o závadu.
- Dveře byly často otevřené nebo zůstaly otevřené po delší dobu. >>> Neotvírejte dveře příliš často, pokud zůstaly otevřeny, zavřete je.
- Dveře mohou být pootevřena. >>> Úplně zavřete dveře.

Vytváří se kondenzát na vnější straně výrobku nebo mezi dveřmi.

- Okolní prostředí může být vlhké, je to naprosto normální ve vlhkém počasí. >>> Kondenzace se rozptýlí, když se sníží vlhkost.

Interiér zapáchá.

- Produkt není pravidelně čištěn. >>> Pravidelně čistěte vnitřek pomocí houbičky, teplé vody a sycené vody.
- Některé balení a obalové materiály může způsobit zápach. >>> Používejte balení a obalové materiály bez zápachu.
- Potraviny byly umístěny v neuzavřených baleních. >>> Uchovávejte potraviny v uzavřených obalech. Mikroorganismy se mohou z neuzavřených potravin rozšířit a způsobit zápach.
- Z výrobku odstraňte všechny potraviny se zašlým datem spotřeby a zkažené potraviny.

Řešení problémů

Dveře se nezavírají.

- Balíčky s potravinami mohou blokovat dveře. > > > Přemístěte předměty blokující dveře.
- Produkt nestojí ve zcela svislé poloze na zemi. > > > Nastavte stojany pro uvedení výrobku do svislé polohy.
- Podlaha není ve vodováze nebo není odolná. > > > Ujistěte se, že podlaha je vyvážená a dostatečně odolná k tomu, aby unesla produkt.

Zásobník na zeleninu se zasekl.

- Potraviny mohou být v kontaktu s horní částí zásobníku. > > > Reorganizujte potraviny v šuplíku.

Pokud Je Povrch Produktu Horký

- Když je zařízení v provozu, lze pozorovat vysoké teploty mezi dvěma dvířky, na postranních panelech a na zadním grilu. To je běžné a není to důvod pro servisní údržbu! Při kontaktu s těmito plochami buďte opatrní.



UPOZORNĚNÍ: Pokud problém přetrvává i po provedení pokynů v této části, obraťte se na svého prodejce nebo na autorizovaný servis. Nepokoušejte se opravit produkt.

Vážení zákazníci,

Radi by sme vám poskytli možnosť na dosiahnutie optimálnej účinnosti nášho výrobku, ktorý bol vyrobený v moderných zariadeniach s dôkladnou kontrolou kvality.

Za týmto účelom si pred použitím výrobku prosím prečítajte celú príručku a uschovajte si ju ako referenčný zdroj. Ak výrobok odovzdáte inej osobe, poskytnite tento návod spolu s výrobkom.

Užívateľská príručka zabezpečí rýchle a bezpečné používanie výrobku.





- Pred inštaláciou a použitím výrobku si prosím prečítajte užívateľskú príručku.
- Vždy dodržujte platné bezpečnostné predpisy.
- Majte užívateľskú príručku v dosahu pre budúce použitie.
- Prečítajte si prosím všetky ďalšie dokumenty dodané s výrobkom.

Nezabúdajte, že táto Užívateľská príručka sa môže vzťahovať na viacero modelov výrobkov. Príručka jasne ukáže všetky variácie rôznych modelov.

Symbols and notes

V užívateľskej príručke sú používané nasledujúce symboly:

	Dôležité informácie a užitočné tipy.
	Nebezpečenstvo života a majetku.
	Riziko zranenia elektrickým prúdom.
	Obal tohto výrobku je vyrobený z recyklovateľných materiálov, v súlade s Národnou legislatívou pre životné prostredie.

	INFORMÁCIE
 SUPPLIER'S NAME:  MODEL IDENTIFIER:  (*)	Informácie o modeli uložené v databáze výrobkov sa dajú získať zadaním nasledujúcej webovej stránky a vyhľadáním identifikátora vášho modelu (*), ktorý je uvedený na energetickom štítku. https://eprel.ec.europa.eu/

Obsah

1 Bezpečnostné pokyny a životné prostredie 4

Všeobecná bezpečnosť	4
Účel použitia	7
Bezpečnosť detí	7
Súlad so smernicou WEEE a Odstránenie odpadov výrobku	7
Súlad so smernicou RoHS	7
Informácie o balení	7

2 Chladnička 8

3 Inštalácia 9

Body, ktoré je potrebné zvažovať pri opakovanej preprave chladničky	9
Pred uvedením chladničky do prevádzky	9
Elektrické pripojenie	10
Likvidácia obalu	10
Likvidácia vašej starej chladničky	10
Umiestnenie a inštalácia	11
Nastavenie nôh	11
Zmena smeru otvárania dverí	11

4 Príprava 12

5 Obsluha produktu 13

Zmrazovanie čerstvých potravín	15
Odporúčania pre skladovanie zmrazených potravín	16
Podrobnosti o mrazničke	16
Umiestnenie jedla	16
Upozornenie na otvorené dvere	16
Vnútornej osvetlenie	16
Používanie dávkovača na vodu	17
Plnenie nádrže dávkovača na vodu	17
Čistenie nádrže na vodu	18
Odkvapkávacia miska	19

6. Údržba a čistenie 20

7. Riešenie problémov 21

1 Bezpečnostné pokyny a životné prostredie

Táto časť obsahuje bezpečnostné pokyny nevyhnutné pre zabránenie nebezpečenstvu zranení a materiálnych škôd. Nedodržaním týchto pokynov zanikajú všetky typy záruky výrobku.

Určené použitie

UPOZORNENIE:

Udržujte vetracie otvory na kryte prístroja alebo v konštrukcii zabudovania bez prekážok.

UPOZORNENIE:

Nepoužívajte mechanické nástroje alebo iné prostriedky na urýchlenie procesu odmrazenia, okrem tých, ktoré odporúča výrobca.

UPOZORNENIE:

Nepoškodzujte chladiaci okruh.

UPOZORNENIE:

Nepoužívajte elektrické spotrebiče vo vnútri priestoru na potraviny, iba ak sú doporučené výrobcom.



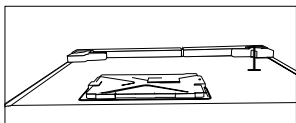
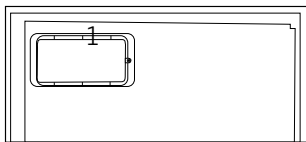
Toto zariadenie je určené pre použitie v domácnosti a v podobných podmienkach, ako sú napríklad

- Kuchynské miestnosti pre personál v obchodoch, kanceláriách a v iných pracovných prostrediach;
- farmárske domy a klienti v hoteloch, motelloch a iných typoch bytových zariadení;
- v ubytovacích zariadeniach typu bed and breakfast;
- stravovacie a podobné zariadenia neobchodného typu.

1.1. Všeobecná bezpečnosť

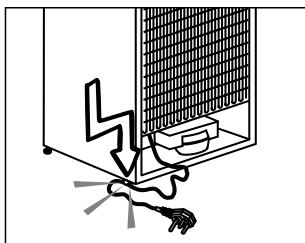
- Tento produkt by nemali používať osoby s telesným, zmyslovým a mentálnym postihnutím, osoby bez dostatočných znalostí a skúseností, alebo deti. Zariadenie môžu tieto osoby používať len pod dohľadom a po poučení osobou zodpovednou za ich bezpečnosť. Nedovoľte deťom hrať sa s týmto zariadením.
- V prípade poruchy prístroj odpojte.
- Po odpojení počkajte najmenej 5 minút pred opätovným pripojením. Odpojte výrobok, keď sa nepoužíva. Nedotýkajte sa zástrčky mokrymi rukami! Pri odpájaní neťahajte za kábel, vždy uchopte zástrčku.
- Nezapájajte chladničku, ak je zásuvka uvoľnená.
- Pri inštalácii, údržbe, čistení a opravách výrobok odpojte.
- Ak sa výrobok nebude dlhší čas používať, odpojte ho a vyberte z neho potraviny.
- Nepoužívajte paru alebo čistiace prostriedky s parou pre čistenie chladničky a topenia ľadu vo vnútri. Para môže prísť do styku s elektrifikovanými oblasťami a spôsobiť skrat alebo elektrický šok!
- Neumývajte výrobok striekaním alebo polievaním vodou na neho! Nebezpečenstvo úrazu elektrickým prúdom!
- Nikdy nepoužívajte výrobok, ak časť nachádzajúca sa na hornej alebo zadnej strane výrobku s elektronickou doskou s plošným spojom vo vnútri je otvorená (krycia doska elektronických plošných spojov) (1).

Bezpečnostné pokyny a životné prostredie



- V prípade jeho poruchy výrobok nepoužívajte, pretože by mohlo dôjsť k úrazu elektrickým prúdom. Pred tým, než čokoľvek urobíte, sa obráťte na autorizovaný servis.
- Výrobok zapájajte do uzemnenej zásuvky. Uzemnenie musí byť vykonané kvalifikovaným elektrikárom.
- Ak produkt má osvetlenie typu LED, pre jeho nahradenie alebo v prípade akéhokoľvek problému sa obráťte na autorizovaný servis.
- Nedotýkajte sa mrazených potravín mokrymi rukami! Môžu sa nalepiť na Vaše ruky!
- Neklad'te do mrazničky tekutiny vo fľašiach a plechovkách. Môžu vybuchnúť!
- Tekutiny umiestnite vo vzpriamenej polohe a pevne uzatvorte ich veko.
- Nestriekajte horľavé látky v blízkosti výrobku, nakoľko sa môže zapáliť alebo explodovať.
- Nenechávajte horľavé materiály a produkty s horľavým plynom (spreje, atď.) v chladničke.
- Neklad'te nádoby obsahujúce kvapaliny na hornú časť výrobku. Voda striekajúca na elektrifikované časti môže spôsobiť úraz elektrickým prúdom a nebezpečenstvo požiaru.

- Vystavenie produkt dažďu, snehu, slnku a vetru môže spôsobiť elektrické nebezpečenstvo. Pri premiestňovaní výrobku ho neťahajte držaním za rukoväť dverí. Rukoväť sa môže odtrhnúť.
- Dbajte na to, aby nedošlo k zachyteniu akúkoľvek časti vašich rúk či tela do akýchkoľvek z pohybujuúcich sa častí vo vnútri výrobku.
- Nevyliezajte alebo sa neopierajte o dvere, zásuvky a podobné časti chladničky. Môže to mať za následok pád výrobku a spôsobiť poškodenie dielov.
- Dávajte pozor, aby nedošlo k privretiu napájacieho kábla.
- Pri umiestnení zariadenia sa uistite, že napájací kábel nie je zachytený alebo poškodený.
- Neumiestňujte viac prenosných zásuviek alebo prenosných zdrojov napájania vzadu od zariadení.



- Vašu Side-by-Side chladničku je potrebné pripojiť k prípojke na vodu. Ak ešte nie je k dispozícii žiadny vodovodný kohútik a musíte zavolať inštalatéra, nezabudnite: V prípade, že je váš dom vybavený podlahovým kúrením, zvažte, že vrtanie otvorov do betónového stropu môže tento vykurovací systém poškodiť!

Bezpečnostné pokyny a životné prostredie

- Deti vo veku od 3 do 8 rokov smú nakladať a vykladať chladiace zariadenia.
- Aby ste predišli znečisteniu jedla, dodržujte prosím nasledujúce pokyny:
 - Ak necháte dvierka otvorené po dlhú dobu, môže to spôsobiť značné zvýšenie teploty v oddeleniach zariadení.
 - Pravidelne očisťujte povrchy, ktoré môžu prísť do kontaktu s jedlom, a prístupné odtokové systémy.
 - očisťujte nádrže na vodu, pokiaľ neboli používané počas 48 h; prepláchnite vodný systém pripojený k prívodu vody, ak ste nečerpali vodu zo zariadenia počas 5 dní.
 - Surové mäso a ryby uchovávajte v chladničke vo vhodných nádobách, aby neprichádzali do kontaktu s jedlom ani na neho nemohli ukvapnúť.
 - Oddelenia s dvoma hviezdikami pre mrazené potraviny sú vhodné pre uchovávanie vopred zmrazených jedál, uchovávanie alebo prípravu zmrzliny a tvorbu kociek ľadu.
 - Oddelenia s jednou, dvoma a tromi hviezdikami nie sú vhodné pre zmrazenie čerstvého jedla.
 - Ak je chladiace zariadenie ponechané prázdne po dlhú dobu, vypnite ho, rozmrazte, očistite, osušte a nechajte dvierka otvorené, aby ste tak zabránili tvoreniu plesní vo vnútri zariadenia.

1.1.1 Varovanie HC

Ak výrobok obsahuje chladiaci systém v ktorom sa používa plyn R600a, zabezpečte, aby pri používaní a pohybovaní spotrebiča nedošlo k poškodeniu chladiaceho systému a jeho potrubia. Tento plyn je horľavý. Ak je chladiaci

systém poškodený, zabezpečte, aby bolo zariadenie mimo dosahu zdrojov ohňa a okamžite vyvetrajte miestnosť.



Štítok na vnútornej ľavej strane označuje druh plynu používaného v produkte.

1.1.2 Pre modely s dávkovačom vody

Tlak pre prívod studenej vody musí byť maximálne 90 psi (620 kPa). Ak je váš tlak vody vyšší ako 80 psi (550 kPa, použite vo vašej sieti ventil na obmedzovanie tlaku. Ak neviete, ako skontrolovať tlak vody, požiadajte o pomoc profesionálneho inštalátora.

- Ak pri inštalácii existuje riziko vodného rázu, vždy použite preventívne zariadenia proti vodnému rázu. Ak ste si nie je istý, či vo Vašej sieti je efekt vodného rázu, poraďte sa s profesionálnym inštalátorom.

Neinštalujte na prívode pre teplú vodu. Vykonajte nevyhnutné opatrenia proti riziku zamrznutia hadíc. Prevádzkový interval teplota vody musí byť medzi minimálne 33 ° F (0,6 ° C) a maximálne 100 ° F (38 ° C).

- Používajte len pitnú vodu.

Bezpečnostné pokyny a životné prostredie

1.2. Účel použitia

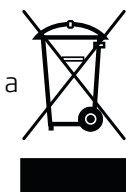
- Tento výrobok je určený pre domáce použitie. Nie je určený pre komerčné použitie.
- Spotrebič by mal byť používaný iba pre skladovanie potravín a nápojov.
- Do chladničky neukladajte citlivé produkty, ktoré si vyžadujú riadené teploty (očkovacie látky, lieky citlivé na teplo, zdravotnícky materiál, atď.).
- Výrobca nenesie žiadnu zodpovednosť za prípadné škody spôsobené nesprávnym použitím alebo nesprávnou manipuláciou.
- Životnosť výrobku je 10 rokov. Náhradné diely potrebné pre funkčnosť tohoto výrobku budú pre toto obdobie k dispozícii.

1.3. Bezpečnosť detí

- Obalové materiály uchovávajte mimo dosahu detí.
- Nedovoľte deťom, aby sa s výrobkom hrali.
- Ak je na dverách výrobku zámok, kľúč držte mimo dosahu detí.

1.4. Súlad so smernicou WEEE a Odstránenie odpadov výrobku

Tento výrobok spĺňa požiadavky smernice WEEE EÚ (2012/19/EU). Na tomto produkte je zobrazený symbol klasifikácie odpadu elektrických a elektronických zariadení (OEEZ).



Tento výrobok bol vyrobený z vysoko kvalitných materiálov komponentov, ktoré sa dajú opätovne použiť a ktoré sú vhodné pre recykláciu. Na

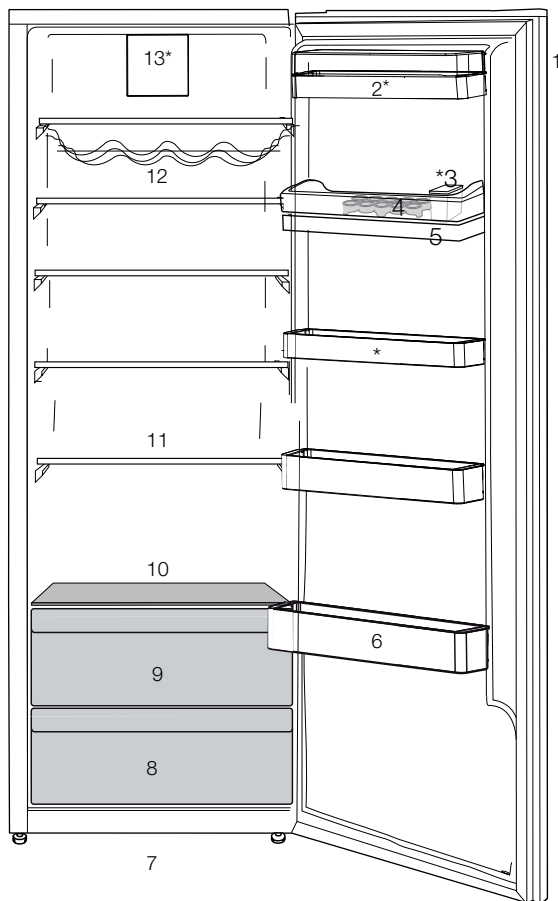
konci svojej životnosti spotrebič nevyhadzujte spolu s bežnými domácimi a inými odpadmi. Odneste ho do zberného centra pre recykláciu elektrických a elektronických zariadení. Pre informácie o týchto zberných strediskách sa prosím obráťte na miestne úrady.

1.5. Súlad so smernicou RoHS

Tento výrobok spĺňa požiadavky smernice WEEE EÚ (2011/65/EU). Neobsahuje škodlivé a zakázané látky uvedené v smernici.

1.6. Informácie o balení

Obalové materiály výrobku sú vyrobené z recyklovateľných materiálov v súlade s našimi národnými predpismi o životnom prostredí. Nevyhadzujte obalové materiály spolu s domácimi alebo inými odpadmi. Vezmite ich do zberných miest pre obalové materiály určené miestnymi orgánmi.



- | | |
|----------------------------------|--------------------------------|
| 1. Indikačný panel | 7. fľaškové police |
| 2. Maslo a syr rezy | 8. Nastaviteľné predné nožičky |
| 3. Automat na vodu plniaci nádrž | 9. chladič |
| 4. sekcia Egg | 10. Chladič kryt a sklo |
| 5. Dávkovač vodná nádrž | 11. posuvné regály |
| 6. Nastaviteľné police dverí | 12. Vínná pivnica |

*** Nemusí byť k dispozícii u všetkých modelov**



Údaje v tejto používateľskej príručke sú schematické a nemusia presne zodpovedať vášmu výrobku. Ak váš výrobok neobsahuje príslušné časti, tieto informácie sa vzťahujú na ostatné modely.

3 Inštalácia



Zapamätajte si, že výrobca nie je zodpovedný za škody v prípade, ak nedodržíte pokyny v návode na použitie.

3.1. Body, ktoré je potrebné zvažovať pri opakovanej preprave chladničky

1. Vaša chladnička musí byť pred presunom prázdna a očistená.
2. Police, príslušenstvo, priehradky atď. vo vašej chladničke musia byť pred opätovným zabalením chladničky zalepené a zaistené voči otrasom.
3. Balenie musíte zaistiť hrubými páskami alebo silnými lanami a musíte dodržiavať bezpečnostné pokyny na balení.

Nezabudnite...

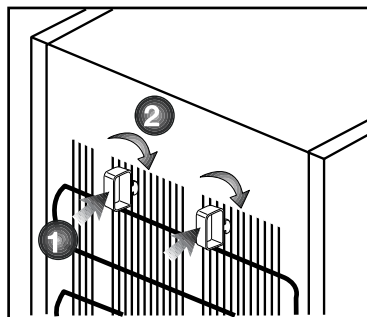
Každý recyklovaný materiál je nepostrádateľným zdrojom pre prírodu a národné zdroje.

Ak by ste chceli prispieť k recyklácii obalových materiálov, informácie môžete získať u ekologických organizácií alebo na miestnych úradoch.

3.2. Pred uvedením chladničky do prevádzky

Pred začatím používania vašej chladničky skontrolujte nasledovné:

1. Je interiér chladničky suchý a môže vzduch ľahko cirkulovať v zadnej časti?
2. Vyčistite interiér chladničky podľa odporúčania v časti „Údržba a čistenie“.
3. Chladničku pripojte do elektrickej zásuvky. Keď sa otvoria dvere chladničky, zapne sa vnútorné svetlo.
4. Budete počuť zvuk pri zapnutí kompresora. Kvapalina a plyny utesnené v chladiacom systéme môžu



vydávať nejaký zvuk, bez ohľadu na to, či kompresor je alebo nie je v prevádzke. Toto je celkom normálne.

5. Predné hrany chladničky môžu byť zohriate. To je normálne. Tieto časti sú vytvorené tak, aby boli zohriate, aby sa predišlo kondenzácii.
6. 2 plastové kliny môžete namontovať tak, ako je to znázornené na obrázku. Plastové klince zaisťujú požadovanú vzdialenosť medzi chladničkou a stenou kvôli dostatočnej cirkulácii vzduchu. (Znázornený obrázok predstavuje len príklad a nezodpovedá sa presne s vaším produktom.)
7. Interiér chladničky vyčistite podľa odporúčania v časti „Údržba a čistenie“.

3.3. Elektrické pripojenie

Pripojte výrobok k uzemnenej zástrčke, ktorá je chránená poistkou príslušnej kapacity.

Dôležité:

- Pripojenie musí byť v zhode s národnými predpismi.
- Elektrická zásuvka musí byť po inštalácii ľahko prístupná.
- Určené napätie musí byť rovnaké ako napätie vo vašej elektrickej sieti.
- Predlžovacie káble a rozbočky sa nesmú používať na pripojenie zariadenia.



Poškodený elektrický kábel musí vymeniť kvalifikovaný elektrikár.



Zariadenie sa nesmie prevádzkovať dotedy, pokiaľ nebude opravené! Hrozí nebezpečenstvo zásahu elektrickým prúdom!

3.4. Likvidácia obalu

Obalový materiál môže byť nebezpečný pre deti. Obalový materiál držte mimo dosahu detí alebo ho vyhodte podľa pokynov pre likvidáciu odpadu. Neodhadzujte ho spolu s normálnym domovým odpadom.

Balenie chladničky je vyrobené z recyklovateľných materiálov.

3.5. Likvidácia vašej starej chladničky

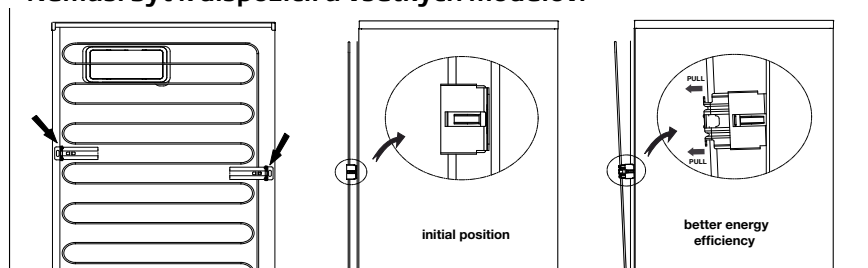
Vašu starú chladničku zlikvidujte ekologicky.

- O likvidácii vašej starej chladničky sa môžete poradiť s vašim autorizovaným predajcom alebo zberným miestom.

Pred likvidáciou vašej chladničky odrežte elektrickú zásuvku a ak sa na dverách nachádzajú nejaké zámky, znefunkčnite ich, aby ste nevystavili deti žiadnemu nebezpečenstvu.

- Chladič Vášho zariadenia je umiestnený na zadnej časti, spôsobom zobrazeným nižšie. Pre dosiahnutie vyššej energetickej efektívnosti s nižšou spotrebou, chladič, prosím, potiahnite k sebe, spôsobom zobrazeným na obrázku nižšie. Umiestnenie chladiča bude z každej strany napevno zafixované pomocou vrchných držiakov uzamykacieho mechanizmu.

*** Nemusí byť k dispozícii u všetkých modelov.**

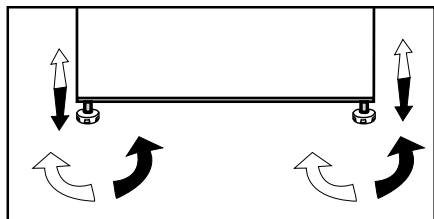


3.6. Umiestnenie a inštalácia

1. Chladničku nainštalujte na miesto, ktoré umožňuje ľahké použitie.
2. Chladničku udržiavajte mimo dosah zdrojov tepla, vlhkých miest a priameho slnečného svetla.
3. Kvôli dosiahnutiu účinnej prevádzky musí byť v okolí chladničky dostatočné vetranie. Ak bude chladnička umiestnená vo výklenku v stene, minimálna vzdialenosť od stropu musí byť 5 cm a od steny 5 cm. Ak je podlaha pokrytá kobercom, výrobok musí byť zdvihnutý do výšky 2,5 cm od podlahy.
4. Kvôli zabráneniu hádzaniu dajte chladničku na rovnú podlahu.

3.7. Nastavenie nôh

Ak je vaša chladnička nestabilná; Chladničku môžete vyvážiť otáčaním predných nôh tak, ako je to znázornené na obrázku. Keď nohu otáčate v smere čiernej šípky, roh s príslušnou nohou sa znižuje; keď nohu otáčate v opačnom smere, poloha sa zvyšuje. Pomoc inej osoby miernym prídvihnutím chladničky celý proces uľahčí.

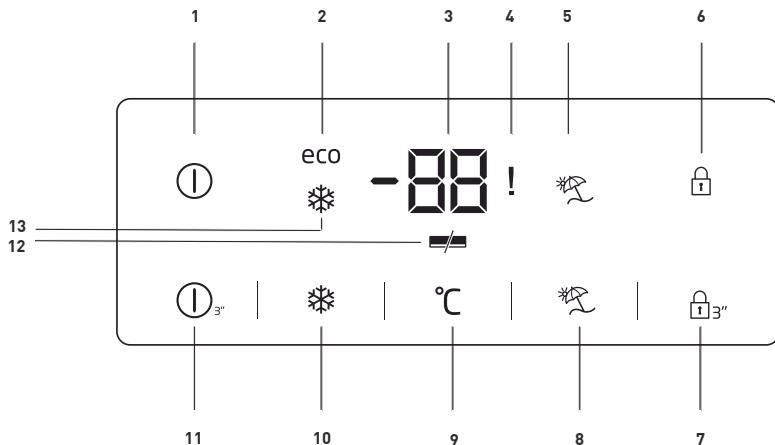


3.8. Zmena smeru otvárania dverí

Smer otvárania dverí chladničky je možné zmeniť podľa miesta, na ktorom ju používate. Ak je to potrebné, zavolajte do najbližšieho autorizovaného servisu, prosím.

4 Príprava

- Pre voľne stojace zariadenie; „tento chladiaci spotrebič nie je určený na použitie ako zabudovaný spotrebič“.
- Vaša chladnička by mala byť umiestnená v najmenej 30 cm vzdialenosti od zdrojov tepla, ako sú horáky, rúry na pečenie, radiátory a kachle a najmenej v 5 cm vzdialenosti od elektrických rúr na pečenie a nemala by byť umiestnená na priamom slnku.
- Teplota prostredia v miestnosti, kde chladničku inštalujete, by mala byť aspoň 5 °C. Prevádzka chladničky v chladnejšom prostredí sa neodporúča s ohľadom na jej účinnosť.
- Uistite sa, že je interiér vašej chladničky dôkladne vyčistený.
- Ak sa budú vedľa seba inštalovať dve chladničky, mala by byť medzi nimi vzdialenosť minimálne 2 cm.
- Pri prvom spustení vašej chladničky počas šiestich hodín dodržiajte nasledujúce pokyny.
- Dvere by ste nemali otvárať príliš často.
- Chladnička musí byť počas tohto času prázdna.
- Chladničku neodpájajte od siete. Ak dôjde k výpadku napájania, ktoré nemôžete ovplyvniť, pozrite si upozornenia v časti „Odporúčané riešenia problémov“.
- Vždy používajte koše/zásuvky poskytované s chladiacim priestorom v zájmu nízkej spotreby energie a lepších podmienok skladovania.
- Styk potravín s čídlom teploty v mrazničke môže zvýšiť spotrebu energie zariadení. Zabráňte tedy jakémukoliv kontaktu s čídlom (čidly).
- Originálny obal a penové materiály by ste si mali odložiť za účelom budúceho transportu a prenášania.
- U niektorých modelov sa prístrojová doska automaticky vypne po 5 minútach po tom, ako boli dvere uzavreté. Opäť sa aktivuje, keď sa dvere otvoria alebo po stlačení ľubovoľnej klávesy.
- Vzhľadom na zmenu teploty v dôsledku otvorenia/zatvorenia dverí počas prevádzky je bežné, že sa na dverách/poličkách a sklenených nádobách objavia kondenzácie.
- Pretože horúci a vlhký vzduch sa nedostane priamo do vášho výrobku, keď nie sú dverka zatvorené, výrobok sa optimalizuje v existujúcich podmienkach tak, aby jedlo vnútri bolo bezpečne chránené. Funkcie a súčasti, ako sú kompresor, ventilátor, ohrievač, rozmrazovač, osvetlenie, displej a iné, budú fungovať tak, aby za týchto podmienok spotrebovali minimálne množstvo energie.



1. Kontrolka Zap./Vyp.

Táto ikona (ⓘ) sa rozsvieti, keď sa chladnička vypne. Všetky ostatné ikony zhasnú.

2. Kontrolka ekonomického využitia:

Táto ikona (eco) sa rozsvieti, ak je chladnička nastavený na 8°C, čo je najúspornejší nastavená hodnota. Kontrolka ekonomického využitia zhasne, ak zvolíte funkciu rýchleho chladenia alebo rýchleho mrazenia.

3. Priestor chladničky - ukazovateľ nastavenia teploty:

Naznačuje nastavenú teplotu pre priestor chladničky.

4. Kontrolka výpadku napájania / vysokej teploty / výstrahy na vysokú teplotu / chybu:

Táto kontrolka (ⓘ) sa rozsvieti pri poruchách spôsobených výpadkom napájania, vysokými teplotami a pri chybových hláseniach. Počas pretrvávajúcej výpadkov napájania sa najvyššia teplota, ktoré chladnička dosiahne, rozblíkajú na digitálnom displeji.

5. Indikátor Dovolienky:

Táto ikona (☀) sa rozsvieti, keď je aktívna funkcia Dovolienka.

6. Kontrolka zámku tlačidiel:

Táto ikona (🔒) sa rozsvieti keď je aktívna funkcia zámku.

7. Režim zámku tlačidiel:

Tlačidlo (🔒_{3"}) držte po dobu 3 sekúnd. Ikona zámku tlačidiel sa rozsvieti a aktivuje sa režim zámku tlačidiel. Tlačidlá



Údaje uvedené v tejto používateľskej príručke sú určené ako koncepty a nemusia byť v dokonalom súlade s Vaším výrobkom. Ak váš výrobok neobsahuje príslušné časti, vzťahujú sa tieto informácie na ostatné modely.

nebudú funkčné v režime zámku tlačidiel. Znovu stlačte tlačidlo zámku tlačidiel na 3 sekundy. Ikona zámku tlačidiel zhasne a ukončí sa režim zámku tlačidiel.

8. Funkcia Dovoľenka:

Keď stlačíte tlačidlo Dovoľenka, aktivuje sa funkcia Dovoľenka (☼) a rozsvieti sa kontrolka Dovoľenka. Túto funkciu môžete použiť, keď nebudete chladničku dlhú dobu používať. Upozorňujeme, že v chladničke nesmie zostať žiadne jedlo, v takom prípade chladnička v režime Dovoľenka vaše jedlo neuchová. Ak je táto funkcia aktivovaná, teplota v priestore chladničky zostane na 15°C, aby sa predišlo vzniku zápachu. Túto funkciu deaktivujete opakovaným stlačením tlačidla Dovoľenka.

9. Funkcia nastavenia chladničky:

Táto funkcia (°C) vám umožňuje vykonávať nastavenie teploty priestoru chladničky. Stlačením tohto tlačidla nastavíte teplotu priestoru chladničky na 8,7,6,5,4,3 a 1.

10. Funkcia rýchleho chladenia:

Kontrolka Rýchle chladenie (❄) sa rozsvieti, keď spustíte funkciu Rýchle chladenie. Pre zrušenie funkcie stlačte znova tlačidlo Rýchleho chladenia. Indikátor rýchleho chladenia zhasne a obnovia sa normálne nastavenia. Funkcia Rýchle chladenie sa zruší automaticky o 1 hodinu neskôr, pokiaľ ju nezrušíte manuálne. Ak chcete schlaadiť veľké množstvo čerstvých potravín, stlačte tlačidlo Rýchle chladenie ešte než potraviny vložíte do chladničky.

11. Funkcia Zap./Vyp.:

Táto funkcia (Ⓜ) vám umožňuje vypnúť chladničku, ak ju budete tlačiť po dobu 3 sekúnd. Chladničku možno zapnúť stláčaním tlačidla zapnutia/vypnutia opäť po dobu 3 sekúnd.

12. Indikátor úspory energie :

Ak sú dvere produktu ponechané zatvorené dlhú dobu, automaticky sa aktivuje funkcia úspory energie a rozsvieti sa príslušný symbol. (🔌)

Keď je funkcia úspora energie aktívna, všetky ostatné symboly na displeji zhasnú. Keď je aktivovaná funkcia úspory energie, ak stlačíte akékoľvek tlačidlo alebo otvorte dvierka, režim úspory energie sa ukončí a ikony na displeji sa vráti do normálu.

Funkcia úspory energie sa aktivuje počas doručenia z továrne a nemožno ju zrušiť.

13. Kontrolka Rýchle mrazenie:

Táto ikona (❄) sa rozsvieti keď spustíte funkciu rýchleho mrazenia.

Používanie výrobku

5.1. Zmrazovanie čerstvých potravín

- Ak chcete zachovať kvalitu potravín, potraviny umiestnené v mrazničke musia byť zmrazené tak rýchlo, ako je to možné, z toho dôvodu použite funkciu rýchleho zmrazenia.
- Zmrazenie potravín v čerstvom stave predĺži dobu ich skladovania v mrazničke.
- Zabalte potraviny do vzduchotesných balení a tesne ich uzatvorte.
- Uistite sa, že potraviny sú pred vložením do mrazničky zabalené. Miesto tradičného obalového papiera použite krabice do mrazničky, staniol a papier odolný proti vlhkosti, igelitové vrecká alebo podobné obalové materiály.
- Pred zmrazením označte každé balenie potravín napísaním dátumu na ich obal. To vám umožní určiť čerstvosť každého balenia pri každom otvorení mrazničky. Udržujte skoršie položky potravín v prednej časti, aby ste zabezpečili, že budú použité ako prvé.
- Zmrazené potraviny musia byť použité ihneď po rozmrazení a nemali by byť znovu zmrazené.
- Nezmrazujte veľké množstvo potravín naraz.

Nastavenie Mraziacej časti	Nastavenie Chladiacej časti	Opis
-18°C	4°C	Toto je predvolené, odporúčané nastavenie.
-20, -22 alebo -24 °C	4°C	Tieto nastavenia sa odporúčajú pre teploty nad 30°C.
Rýchle mrazenie	4°C	Použite ich pre zmrazenie potravín v krátkej dobe, bude spotrebič sa pri ukončení procesu opätovne nastaviť na predchádzajúce nastavenia.
-18°C alebo nižšie	2°C	Použite toto nastavenie, ak si myslíte, že chladiaci priestor nie je dostatočne studený vzhľadom na teplotu prostredia alebo časté otváranie dverí.

5.2. Odporúčania pre skladovanie zmrazených potravín

Chladiaci priestor musí byť nastavený na menej ako -18°C .

1. Umiestnite potraviny do mrazničky čo najrýchlejšie, aby nedošlo k ich rozmrazeniu.
2. Pred zmrazením skontrolujte položku "Dátum spotreby" na obale aby ste sa uistili, že ešte nevypršal.
3. Uistite sa, že balenie potravín nie je poškodené.

5.3. Podrobnosti o mrazničke

Podľa noriem IEC 62552, mraznička musí mať schopnosť zmraziť 4,5 kg potravín na teplotu -18°C alebo nižšie do 24 hodín na každých 100 litrov objemu mraziaceho priestoru. Potraviny môžu byť zachované po dlhšiu dobu iba pri teplote do teploty -18°C . Potraviny môžete udržiavať čerstvé po dobu niekoľkých mesiacov (v mraznička na alebo pod teplotou -18°C).

Potraviny ktoré majú byť zmrazené nesmú prísť do kontaktu s už zmrazenými potravinami vo vnútri mrazničky z dôvodu zabránenia ich čiastočnému rozmrazeniu.

Zeleninu uvarite a vodu odfiltrujte pre predĺženie doby zmrazeného skladovania. Po filtrácii dajte jedlo do vzduchotesných balení a umiestnite ho v mrazničke. Banány, paradajky, hlávkový šalát, zeler, varené vajcia, zemiaky a podobné potraviny nezmrazujte. Zmrazenie týchto potravín jednoducho zníži nutričné hodnoty a kvalitu týchto potravín, ako aj spôsobí ich prípadné znehodnotenie, ktoré je zdraviu škodlivé.

5.4. Umiestnenie jedla

Police v mraziacej časti	Rôzny mrazený tovar ako sú mäso, ryby, zmrzlina, zelenina a pod.
Police v chladiacej časti	Potraviny v hrnci, tanieri a krabice s viečkami, vajcia (v krabiciach s viečkom)
Police v dverách chladiacej časti	Malé a balené potraviny alebo nápoje
Zásobník na zeleninu	Ovocie a zelenina
Časť pre čerstvé potraviny	Lahôdky (potraviny pre raňajky, mäsové výrobky, ktoré majú byť konzumované v krátkej dobe)

5.5. Upozornenie na otvorené dvere (voliteľné)

Ak dvere výrobku zostanú otvorené po dobu 1 minúty, zaznie akustické upozornenie. Akustický upozornenie stíchne, keď sú dvere zatvorené alebo po stlačení ľubovoľného tlačidla na displeji (ak je k dispozícii).

5.6. Vnútorne osvetlenie

Vo vnútornom osvetlení sa používa LED lampa. V prípade akýchkoľvek problémov s touto lampou sa obráťte na autorizovaný servis.

Lampa(y) použité v tomto prístroji nie sú vhodné pre osvetlenie miestnosti domácnosti. Zamýšľaný účel tohto svietidla je pomôcť užívateľovi umiestniť potraviny do chladničky/mrazničky bezpečne a pohodlne.

5.7. Používanie dávkovača na vodu

*voliteľné



Je normálne, že prvých niekoľko pohárov vody odobraných z dávkovača vody bude obvykle teplých.



Ak sa dávkovač vody nepoužíval dlhšiu dobu, aby ste získali čistú vodu, prvé poháre vody vylejte.

1. Zatlačte pohárom o páku dávkovača vody. Ak používate mäkký plastový téglík, bude jednoduchšie páku stlačiť rukou.

2. Po naplnení pohára požadovanú úroveň, uvoľnite páku.



Upozorňujeme, že z dávkovača vytečie toľko vody, ako ďaleko potlačíte páku. Keď hladina vody vo Vašej šálke / pohári stúpne, jemne znížte množstvo tlaku na páku, aby ste zabránili pretečeniu. Ak páku ľahko stlačíte, bude kvapkať voda; to je úplne normálne a nejde o poruchu.

5.8. Plnenie nádrže dávkovača na vodu

Plniaca nádrž Vodnej nádrže je umiestnená vo vnútri stojana dverí.

1. Otvorte kryt nádrže.
2. Naplňte nádrž čerstvou pitnou vodou.
3. Zatvorte kryt.



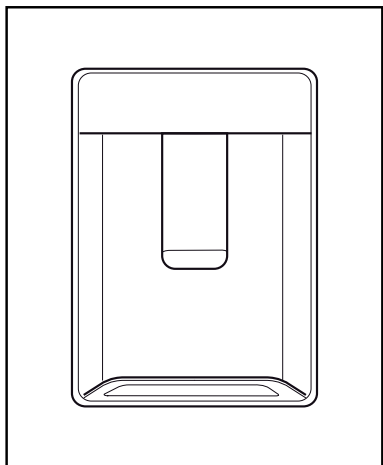
Nepĺňte nádrž na vodu s inou kvapalinou okrem vody, ako sú napríklad ovocné džúsy, sýtené nápoje a alkoholické nápoje, ktoré nie sú vhodné pre použitie v dávkovači vody. V prípade použitia týchto druhov kvapalín sa dávkovač vody nenapraviteľne poškodí. Záruka sa nevzťahuje na takéto použitie. Niektoré chemické látky a prísady obsiahnuté v týchto druhov nápojov / kvapalín môžu poškodiť nádržku na vodu.

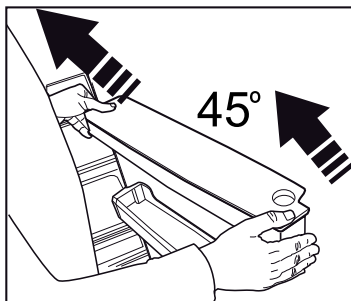
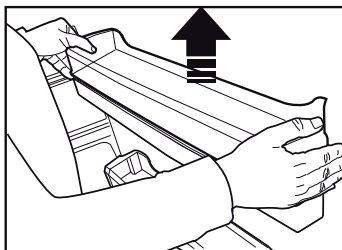
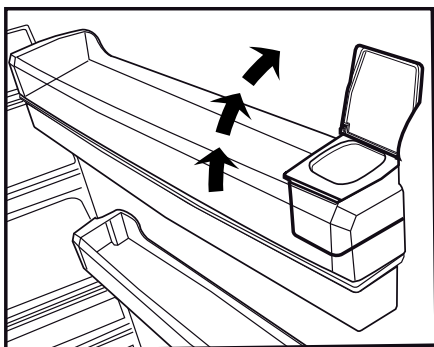
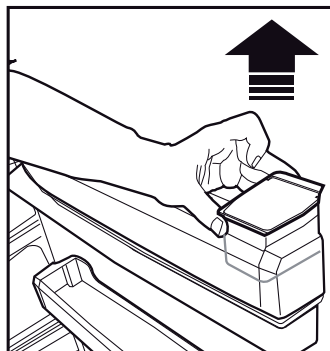
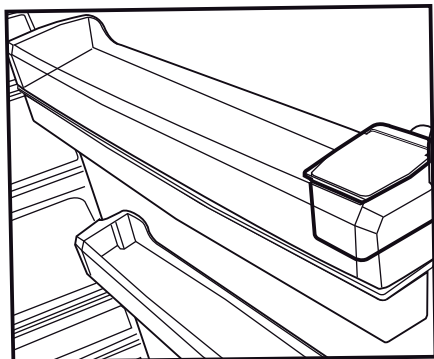


Používajte len čistú pitnú vodu.



Kapacita nádrže na vodu je 3 litre; nepreplňajte ju.



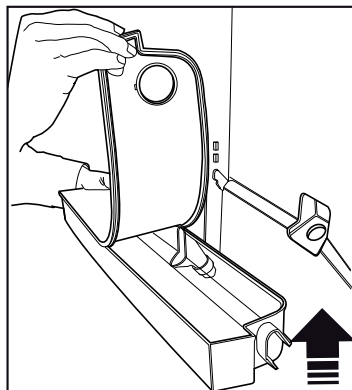


5.9. Čistenie nádrže na vodu

1. Vyberte nádrž na vodu vo vnútri rámu dverí.
2. Odstráňte rám dverí ich pridržením z oboch strán.
3. Chyťte nádržku na vodu z oboch strán a odstráňte ju pod uhlom 45 ° C.
4. Odstráňte kryt zásobníka na vodu a vyčistite nádrž.



Súčasti nádrže na vodu a dávkovač vody neumývajte v umývačke riadu.

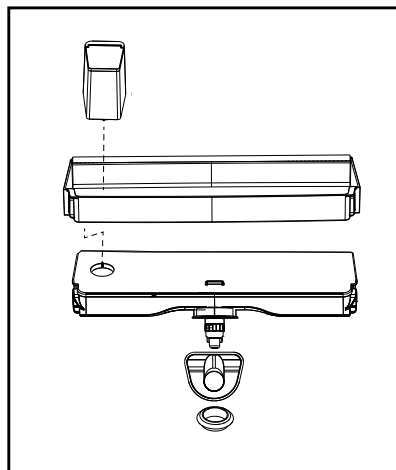
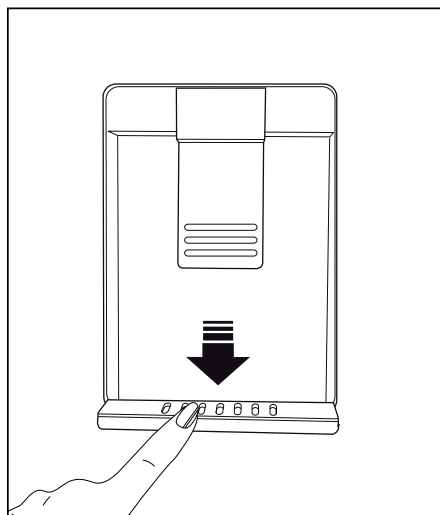


5.10. Odkvapkávacia miska

Voda, ktorá pri použití dávkovača vody vykvapkala, sa hromadí v odkvapkávacom zásobníku.

Odstráňte plastový filter, ako je znázornené na obrázku.

S čistou a suchou handričkou odstráňte nahromadenú vodu.



6 Údržba a čistenie

Čistite produkt pravidelne, čím predĺžite jeho životnosť.



UPOZORNENIE:

Pred čistením chladničku odpojte od napájania.

- Nikdy nepoužívajte ostré a drsné nástroje, mydlo, domáce čistiace prostriedky, čistiace prášky, plyn, benzín, laky a podobné látky na čistenie.
- Pri výrobkoch, ktoré nie sú typu Frost, sa na zadnej stene chladničky tvoria vodné kvapky a námraza až po šírku prsta. Nečistite to; nikdy na to nepoužívajte olej alebo podobné látky.
- Na čistenie vonkajšieho povrchu výrobku používajte iba mierne vlhké tkaniny z mikrovlákien. Špongie a iné typy utierok môžu poškríabať povrch.
- Rozpusťte lyžičku uhličitanu vo vode. Navlhčíte kúsok handry vo vode a vyžmýkajte ju. Utrite prístroj s touto látkou a dôkladne osušte.
- Dávajte pozor, aby sa voda nedostala do krytu lampy a iných elektrických častí.
- Vyčistite dvere pomocou vlhkej handričky. Odstráňte všetky položky vo vnútri pre vybratie poličiek z dverí a samotnej chladničky. Zdvihnite dverné police až do ich odpojenia sa. Vyčistite a osušte police, potom ich umiestnite späť na ich miesto zasunutím zhora.
- Nepoužívajte chlórúvodu alebo čistiace prostriedky na vonkajšom povrchu a pochrómovaných častiach výrobku. Chlór môže na takých kovových povrchoch spôsobiť koróziu.

- Nikdy nepoužívajte ostré a drsné nástroje alebo mydlo, domáce čistiace prostriedky, čistiace prostriedky, benzín, benzén, vosk, atď., v opačnom prípade sa na plastových dieloch objavia škvrny a dôjde k ich deformácii. Na čistenie použite teplú vodu a mäkkú handričku a utrite ich do sucha.

6.1. Prevencia pred zápachom

Výrobok je vyrobený bez akýchkoľvek pachových látok. Avšak, udržiavanie jedla v nesprávnych častiach a nesprávne čistenie vnútorných povrchov môže viesť k zápachu.

Aby k tomu nedošlo, očistite vnútro so sódomou vodou každých 15 dní.

- Uchovávajte potraviny v uzavretých baleniach. Mikroorganizmy sa môžu z neuzavretých potravín rozšíriť a spôsobiť zápach.
- Nenechávajte potraviny so zašlým dátumom spotreby a pokazené potraviny v chladničke.

6.2. Ochrana plastových povrchov

Olej vytečený na plastové povrchy môže poškodiť povrch a musí byť ihneď umytý teplou vodou.

Než sa obrátite na servis, pozrite si nasledujúci zoznam. Môže Vám to ušetriť čas aj peniaze. Tento zoznam obsahuje časté sťažnosti, ktoré nie sú spojené s chybným spracovaním alebo poškodením materiálu. Niektoré funkcie uvedené v tomto dokumente sa nemusia vzťahovať na váš produkt.

Chladnička nefunguje.

- Zástrčka nie je úplne nasadená. >>> Zapojte ju úplne do zásuvky.
- Poistka pripojená do zásuvky ktorá napája produkt alebo hlavná poistka je spálená. >>> Skontrolujte poistky.

Kondenzácia na bočnej stene chladiaceho priestoru (MULTI ZÓNA, CHLADIACA, KONTROLNÁ a FLEXI ZÓNA).

- Dvere sa otvárajú príliš často >>> Dbajte na to, aby ste dvere výrobku neotvárali príliš často.
- Prostredie je príliš vlhké. >>> Neinštalujte výrobok vo vlhkom prostredí.
- Potraviny obsahujúce tekutiny sú uchovávané v neuzavretých nádobách. >>> Uchovávajte potraviny, ktoré obsahujú tekutiny v uzavretých nádobách.
- Dvere výrobku boli ponechané otvorené. >>> Nenechávajte dvere chladničky otvorené po dlhšiu dobu.
- Termostat je nastavený na príliš nízku teplotu. >>> Nastavte termostat na vhodnú teplotu.

Kompresor nepracuje.

- V prípade náhleho výpadku prúdu alebo vyťahnutia napájacieho kábla a po jeho opätovnom pripojení tlak plynu v chladiacom systéme výrobku nie je vyvážený, čo spustí tepelný istič kompresora. Produkt sa reštartuje po približne 6 minútach. Keď sa výrobok po uplynutí tejto doby nereštartuje, obráťte sa na servis.
- Je aktívne rozmrazovanie. >>> To je normálne pre chladničku s plne automatickým rozmrazovaním. Odmrazovania sa vykonáva pravidelne.
- Produkt nie je zapojený do elektrickej siete >>> Uistite sa, že napájací kábel je zapojený.
- Nastavenie teploty je nesprávne. >>> Zvoľte zodpovedajúce nastavenie teploty.
- Nie je prúd. >>> Produkt bude naďalej fungovať normálne po obnovení napájania.

Prevádzkový hluk chladničky sa pri používaní zvyšuje.

- Prevádzkové výsledky tohto výrobku sa môžu líšiť v závislosti na zmenách teploty okolitého prostredia. To je normálne a nejedná sa o závalu.

Chladnička beží príliš často alebo príliš dlho.

Riešenie problémov

- Nový výrobok môže byť väčší ako ten predchádzajúci. Väčšie výrobky budú pracovať po dlhšiu dobu.
- Teplota v miestnosti môže byť vysoká. >>> Výrobok bude v miestnosti s vyššou teplotou spustený po dlhšiu dobu.
- Výrobok mohol byť zapojený len nedávno alebo v ňom boli umiestnené nové položky potravín. >>> Výrobok dosiahne nastavenú teplotu dlhšie, keď bol len práve zapojený alebo doň boli umiestnené nové potraviny. To je normálne.
- Do výrobku bolo v poslednej dobe umiestnené veľké množstvo teplého jedla. >>> Nepokladajte horúce jedlo do výrobku.
- Dvere boli často otvorené alebo zostali otvorené po dlhšiu dobu. >>> Teplý vzduch pohybujúce sa vo vnútri spôsobí, že výrobok bude v prevádzke dlhšie. Neotvárajte dvere chladničky príliš často.
- Dvere mrazničky alebo chladničky mohli zostať pootvorené. >>> Skontrolujte, či sú dvere úplne zatvorené.
- Výrobok môže byť nastavený na príliš nízku teplotu. >>> Nastavte teplotu na vyšší stupeň a počkajte, až výrobok dosiahne nastavenú teplotu.
- Podložky dvier chladničky alebo mrazničky môžu byť špinavé, opotrebované, rozbité alebo nesprávne nasadené. >>> Vyčistite alebo vymeňte podložky. Poškodené / roztrhané podložky dverí spôsobia, že výrobok bude bežať dlhšiu dobu pre zachovanie aktuálnej teploty.

Teplota mrazenia je veľmi nízka, ale teplota chladiča je dostačujúca.

- Teplota priestoru mrazničky je nastavená na veľmi nízky stupeň. >>> Nastavte teplotu v mrazničke na vyšší stupeň a znovu skontrolujte.

Teplota chladenia je veľmi nízka, ale teplota mrazničky je dostačujúca.

- Teplota priestoru chladničky je nastavená na veľmi nízky stupeň. >>> Nastavte teplotu v chladničke na vyšší stupeň a znovu skontrolujte.

Potraviny uchovávané v chladnejších zásuvkách priestorov sú zmrazené.

- Teplota priestoru chladničky je nastavená na veľmi nízky stupeň. >>> Nastavte teplotu v mrazničke na vyšší stupeň a znovu skontrolujte.

Riešenie problémov

Teplota v chladničke alebo v mrazničke je príliš vysoká.

- Teplota priestoru chladničky je nastavená na veľmi vysoký stupeň. >>> Nastavenie teploty chladiacej časti ovplyvňuje teplotu v mrazničke. Zmeňte teplotu v chladiacej alebo mraziacej časti a počkajte, kým príslušné priehradky dosiahnú nastavenú úroveň teploty.
- Dvere boli často otvorené alebo zostali otvorené po dlhšiu dobu. >>> Neotvárajte dvere chladničky príliš často.
- Dvere môžu byť pootvorené. >>> Úplne zatvorte dvere.
- Produkt mohol byť zapojený len nedávno alebo v ňom boli umiestnené nové položky potravín. >>> To je normálne. Výrobok dosiahne nastavenú teplotu dlhšie, keď bol len práve zapojený alebo doň boli umiestnené nové potraviny.
- Do výrobku bolo v poslednej dobe umiestnené veľké množstvo teplého jedla. >>> Nepokladajte horúce jedlo do výrobku.

Trasie sa alebo vydáva hluk.

- Podlaha nie je vo vodováhe alebo nie je odolná. >>> Ak sa výrobok trasie, keď sa pomaly pohybuje, nastavte stojany na vyrovnanie výrobku. >>> Uistite sa tiež, že podlaha je dostatočne odolná k tomu, aby uniesla produkt.
- Všetky položky umiestnené na výrobku môže spôsobiť hluk. >>> Odstrániť všetky položky umiestnené na výrobku.

Výrobok vytvára hluk tečúcej, striekajúcej kvapaliny a pod.

- Princíp fungovania tohto výrobku je založený na toku kvapalín a plynu. >>> To je normálne a nejedná sa o závalu.

Z výrobku znie zvuk ako vanúci vietor.

- Výrobok pre proces chladenia používa ventilátor. To je normálne a nejedná sa o závalu.

Na vnútorných stenách výrobku sa vytvoril kondenzát.

- Horúce alebo vlhké počasie zvýši námrazu a kondenzáciu. To je normálne a nejedná sa o závalu.
- Dvere boli často otvorené alebo zostali otvorené po dlhšiu dobu. >>> Neotvárajte dvere príliš často, ak zostali otvorené, zatvorte ich.
- Dvere môžu byť pootvorené. >>> Úplne zatvorte dvere.

Vytvára sa kondenzát na vonkajšej strane výrobku alebo medzi dverami.

- Okolité prostredie môže byť vlhké, je to úplne normálne vo vlhkom počasí. >>> Kondenzácia sa rozptýli, keď sa zníži vlhkosť.

Riešenie problémov

Interiér zapácha.

- Produkt nie je pravidelne čistený.
>>> Pravidelne čistite vnútro pomocou hubky, teplej vody a sýtenej vody.
- Niektoré balenia a obalové materiály môže spôsobiť zápach.
>>> Používajte balenia a obalové materiály bez zápachu.
- Potraviny boli umiestnené v neuzavretých baleniach. >>> Uchovávajte potraviny v uzavretých baleniach. Mikroorganizmy sa môžu z neuzavretých potravín rozšíriť a spôsobiť zápach.
- Z výrobku odstráňte všetky potraviny so zašlým dátumom spotreby a pokazené potraviny.

Dvere sa nezatvárajú.

- Balíčky s potravinami môžu blokovať dvere. >>> Premiestnite predmety blokujúce dvere.
- Produkt nestojí v úplne zvislej polohe na zemi. >>> Nastavte stojany pre uvedenie výrobku do zvislej polohy.
- Podlaha nie je vo vodováhe alebo nie je odolná. >>> Uistite sa, že podlaha je vyvážená a dostatočne odolná k tomu, aby uniesla produkt.

Zásobník na zeleninu sa zasekol.

- Potraviny môžu byť v kontakte s hornou časťou zásobníka. >>> Preusporiadajte potraviny v šuplíku.

Ak je povrch zariadenia horúci.

- Vysoké teploty je možné spozorovať v priestore medzi dverami, na bočných paneloch a na zadnom rošte, počas prevádzky zariadenia. Je to normálny stav, ktorý nevyžaduje údržbu!



UPOZORNENIE: Ak problém pretrváva aj po vykonaní pokynov v tejto časti, obráťte sa na svojho predajcu alebo na autorizovaný servis. Nepokúšajte sa opraviť produkt.

Molimo da prvo pročitate ovo uputstvo za upotrebu!

Poštovani kupci,

Nadamo se da će vam ovaj proizvod, koji je proizveden u savremenim fabrikama i koji je prošao najstrože kontrole kvaliteta, dugo i efikasno služiti.

Zato pažljivo pročitajte kompletno uputstvo za upotrebu pre nego što počnete da koristite proizvod i sačuvajte ga za buduće potrebe. Ako proizvod predajte nekome, dajte mu i uputstvo za upotrebu.




Uputstvo za upotrebu će vam pomoći da proizvod koristite efikasno i na sigurna način.



- Pročitajte uputstvo za upotrebu pre instaliranja i rada sa proizvodom.
- Obavezno pročitajte bezbednosna uputstva.
- Uputstvo za upotrebu čuvajte na pristupačnom mestu jer vam kasnije može zatrebati.
- Pročitajte i drugu dokumentaciju koju ste dobili uz proizvod.

Imajte na umu da se ovo uputstvo za upotrebu odnosi i na nekoliko drugih modela. Razlike između modela će biti naznačene u uputstvu.

Objašnjenje simbola

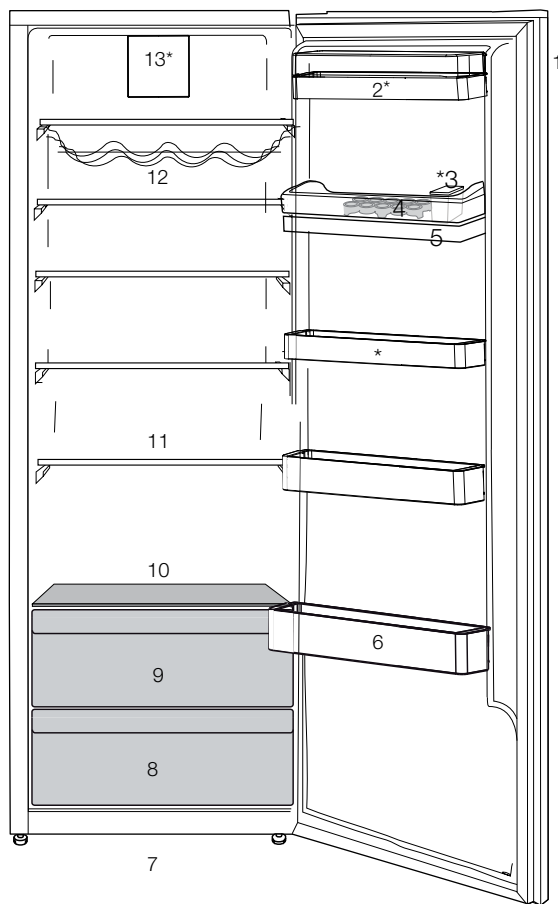
U ovom uputstvu za upotrebu koriste se sledeći simboli:

-  Važne informacije ili korisni saveti o upotrebi.
-  Upozorenje na uslove opasne po život i imovinu.
-  Upozorenje za električni napon.

 PODACI	
 <p>The ENERGY label shows the European Union flag, the word 'ENERGY' with a lightning bolt, a QR code, and two energy efficiency classes: 'A' in a green arrow pointing right and 'A' in a black arrow pointing left. Labels for 'SUPPLIER'S NAME' and 'MODEL IDENTIFIER (*)' are also present.</p>	<p>Podaci o modelu sačuvani u bazi podataka o proizvodu mogu se dobiti unosom sledeće internet stranice i pretragom po identifikacionom broju vašeg modela (*) koji se nalazi na oznaci potrošnje električne energije.</p> <p>https://eprel.ec.europa.eu/</p>

1 Vaš frižider	3	4 Priprema	12
2 Važna bezbednosna upozorenja	4	5 Rukovanje proizvodom	13
Namena	4	Korišćenje automata za vodu.....	15
Za proizvode sa raspršivačem (dozatorom) vode;	7	Punjenje rezervoara automata vodom.....	16
Bezbednost dece	8	Čišćenje rezervoara za vodu	17
Usaglašenost sa WEEE direktivom i odlaganje otpada:	8	Posuda za sakupljanje vode	18
Usaglašenost sa RoHS direktivom: ...	8	Zamrzavanje sveže hrane	19
Informacije o pakovanju	8	Preporuke za čuvanje zamrznute hrane.....	19
HC upozorenje	8	Stavljanje hrane	20
Za uštedu energije	8	Informacije o dubokom smrzavanju	20
3 Instalacija	9	6 Čišćenje i održavanje	21
Šta treba da se ima na umu prilikom ponovnog transporta frižidera	9	Zaštita plastičnih površina.....	21
Podešavanje nožoca	9	7 Preporučena rešenja problema	22
Pre uključivanja frižidera.....	9		
Električno povezivanje	10		
Odlaganje pakovanja	10		
Odlaganje dotrajalog frižidera u otpad	10		
Podešavanje nožoca	11		
Upozorenje za otvorena vrata	11		
Promena smera otvaranja vrata	11		

1 Vaš frižider



- | | |
|--|--------------------------------|
| 1. Kontrolna Tabla | 7. Podesive Nožice |
| 2. Deo Za Puter I Sir | 8. Odeljci za povrće |
| 3. Rezervoar Za Punjenje Aparata Za Vodu | 9. Odeljak Za Hlađenje |
| 4. Odeljak Za Jaja | 10. Poklopac Odeljka Za Povrće |
| 5. Rezervoar Aparata Za Vodu | 11. Odeljak Frizidera |
| 6. Polica Za Boce | 12. Police Za Vino |
| | 13. Ventilator |





***Nije dostupno kod svih modela**

❗ Brojke iz ovog priručnika su šematske i možda ne odgovaraju tačno vašem proizvodu. Ako tematski delovi nisu uključeni u proizvod koji ste kupili, onda to važi za druge modele.

2 Važna bezbednosna upozorenja

Pročitajte sledeće informacije. Nepoštovanje ovih informacija može dovesti do povreda ili materijalnih šteta. U suprotnom se gubi pravo na garanciju i odgovornost proizvođača. Originalni rezervni delovi će biti obezbeđeni za 10 godina od dana nabavke proizvoda.

Namena

	UPOZORENJE: Ventilacione otvore na uređaju ili ugrađenoj strukturi održavajte bez prepreka.
	UPOZORENJE: Za ubrzavanje procesa odmrzavanja koristite samo mehaničke uređaje ili druga sredstva koja je preporučio proizvođač.
	UPOZORENJE: Vodite računa da ne oštetite rashladno kolo.
	UPOZORENJE: Ne koristite električne uređaje u odeljcima za skladištenje hrane, osim ako oni ne pripadaju tipu koji je preporučio proizvođač.

Uređaj je namenjen za korišćenje u domaćinstvu i za slične namene, kao što su

- u kuhinjama rezervisanim za osoblje prodavnice, kancelarije i druga područja poslovanja;

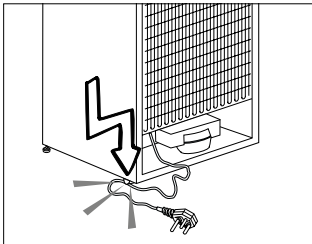
– na seoskim kućama i za goste u hotelima, motelima i drugim okruženjima stambenog tipa.

Opšte sigurnosne mere

- Kad hoćete da odložite/bacite proizvod, preporučujemo da se konsultujete sa ovlašćenim servisom da biste saznali potrebne informacije i ovlašćena tela.
- Konsultujte se sa ovlašćenim servisom za sva pitanja i probleme vezane za frižider. Nemojte da dirate i ne dajte da neko drugi dira frižider bez obaveštavanja ovlašćenog servisa.
- Za proizvode sa odeljkom zamrzivača: nemojte da jedete sladoled i kockice leda odmah čim ih izvadite iz zamrzivača! (To može da izazova promrzline u vašim ustima).
- Za proizvode sa odeljkom zamrzivača: ne stavljajte pića u flašama i limenkama u odeljak zamrzivača. Inače mogu da puknu.
- Ne dirajte smrznutu hranu rukom; ona može da se zalepi za ruku.
- Isključite frižider iz struje pre čišćenja ili odmrzavanja.
- Para i isparena sredstva za čišćenje nikad ne smeju da se koriste u čišćenju i procesu odmrzavanja Vašeg frižidera. U takvim slučajevima para može da dođe u kontakt sa

- električnim delovima i izazove kratki spoj ili električni udar.
- Nikad nemojte da koristite delove na Vašem frižideru, kao što su vrata, za naslanjanje ili stajanje.
 - Ne koristite električne aparate u frižideru.
 - Nemojte da oštećujete delove tamo gde cirkuliše rashladno sredstvo, s alatom za bušenje ili sečenje. Rashladno sredstvo koje može da eksplodira iz gasnih kanala isparivača, probušene produžene cevi ili premazi površina mogu da izazovu iritaciju kože i oštećenje očiju.
 - Ne pokrivajte i ne blokirajte otvore za ventilaciju na Vašem frižideru bilo kakvim materijalima.
 - Samo ovlašćene osobe mogu da popravljaju električne uređaje. Popravke koje vrše nekompetentna lica su rizične za korisnika.
 - U slučaju bilo kakvog kvara ili za vreme održavanja ili popravke, isključite svoj frižider iz struje isključivanjem odgovarajućeg osigurača ili isključivanjem uređaja iz struje.
 - Ne vucite kabl da biste izvukli utikač iz utičnice.
 - Obezbedite da su pića sa velikim procentom alkohola bezbedno uskladištena sa pričvršćenim poklopcem i postavljena uspravno.
 - Nikad ne čuvajte sprejove koji sadrže zapaljive i eksplozivne supstance u frižideru.
 - Nemojte da koristite mehanička ili druga sredstva u cilju ubrzanja procesa odleđivanja aparata, osim sredstava preporučenih od strane proizvođača.
 - Ovaj proizvod nije namenjen za upotrebu od strane lica sa smanjenim fizičkim, čulnim ili mentalnim sposobnostima ili nedostatkom iskustva i znanja osim ako nisu pod nadzorom ili obučeni za rukovanje od strane lica koje je odgovorno za njihovu bezbednost.
 - Ne uključujte oštećeni frižider. Konsultujte servisera ako imate bilo kakve sumnje.
 - Električna sigurnost frižidera je garantovana samo ako je sistem uzemljenja u Vašoj kući usklađen sa standardima.
 - Izlaganje proizvoda kiši, snegu, suncu i vetru je opasno s obzirom na električnu sigurnost.
 - Kontaktirajte ovlašćeni servis ako je oštećen kabl za napajanje da biste izbegli opasnost.
 - Nikad ne uključujte frižider u zidnu utičnicu za vreme instalacije. Inače može da dođe do rizika od smrti ili ozbiljne povrede.
 - Ovaj frižider je predviđen samo za čuvanje hrane. Ne sme se koristiti za druge svrhe.
 - Nalepnica sa tehničkim specifikacijama nalazi se na levoj unutrašnjoj stranici frižidera.

- Nikad ne povezujte svoj frižider sa sistemima za štednju električne energije; oni mogu da oštete frižider.
- Ako frižider ima plavo svetlo, nemojte da gledate u plavo svetlo golim okom ili kroz optičke uređaje tokom dužeg vremenskog perioda.
- Za ručno kontrolisane frižidere: sačekajte najmanje 5 minuta, pa onda uključite frižider nakon nestanka struje.
- Ovo uputstvo za upotrebu treba predati novom vlasniku proizvoda, kao i sledećem vlasniku kada se menja vlasnik.
- Treba izbegavati oštećenje kabla za napajanje prilikom transporta frižidera. Kidanje kabla može prouzrokovati požar. Nikad ne stavljajte teške predmete na kabl za napajanje. Ne dodirujte utikač vlažnim rukama kada priključujete proizvod.



- Prilikom postavljanja uređaja, pazite da kabl za napajanje nije zarobljen ili oštećen.
- Ne postavljajte više portabl utičnica ili prijenosnih napajanja na stražnjoj strani uređaja.
- Deci uzrasta od 3 do 8 godina dozvoljeno je da pune i prazne uređaje za hlađenje.

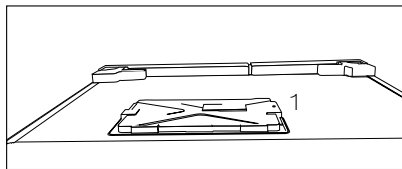
• Da biste izbegli kontaminaciju hrane, pridržavajte se sledećih uputstava:

- - Otvaranje vrata na duže vreme može izazvati značajno povećanje temperature u odeljci frižidera.
- - Redovno čistite površine koje mogu doći u kontakt sa hranom i pristupačnim sistemima za odvodnjavanje.
- Očistite rezervoare za vodu ako nisu korišćeni 48 sati; isperite vodeni sistem povezan sa dovodom vode ako voda nije vučena 5 dana.
- - Sirovo meso i ribu čuvajte u odgovarajućim kontejnerima u frižideru, tako da nije u kontaktu sa ili kapaju na drugu hranu.
- Odeljci sa zamrznutom hranom sa dve zvezdice su pogodni za skladištenje prethodno zamrznute hrane, skladištenje ili pripremanje sladoleda i pravljenje kockica leda.
- - Odeljci sa jednim, dva i tri zvezdice nisu pogodni za zamrzavanje sveže hrane.
- Ako je rashladni uređaj ostavljen prazan duže vrijeme, isključite ga, odmrznite, očistite, osušite i ostavite vrata otvorena kako bi se sprečilo stvaranje plijesni unutar uređaja.
- Ne priključujte frižider na zidnu utičnicu ako je labava.
- Voda se ne sme prskati direktno na unutrašnje ili spoljašnje delove proizvoda radi bezbednosti.
- Ne prskajte supstance koje sadrže zapaljive gasove, kao što je propan, blizu frižidera da bi se izbegla opasnost od požara i eksplozije.
- Ne stavljajte posude napunjene

vodom na vrh frižidera je to može prouzrokovati električni udar ili požar.

- Ne prepunjavajte frižider preteranim količinama hrane. Ako se prepuni, hrana može pasti i povrediti vas i oštetiti frižider kada otvorite vrata. Ne stavljajte predmete na vrh frižidera jer mogu pasti prilikom otvaranja ili zatvaranja vrata frižidera.
- Materijali koji zahtevaju preciznu temperaturu, kao što su vaccine, lekovi osetljivi na temperaturu, materijali za naučne svrhe itd. ne smeju se čuvati u frižideru.
- Ako frižider nećete da koristite duže vreme, isključite ga iz struje. Mogući problem u kablu za napajanje može prouzrokovati požar.
- Frižider se može pomerati ako se podesive nožice ne stoje stabilno na podu. Pravilno učvršćivanje podesivih nožica na podu može sprečiti pomeranje frižidera.
- Kada prenosite frižider, ne držite ga za ručicu na vratima. Inače mogu da se odvali.
- Ako proizvod morate da postavite pored drugog frižidera ili zamrzivača, rastojanje između uređaja treba da bude najmanje 8 cm. U suprotnom se susedni zidovi mogu ovlažiti.
- Nikada nemojte koristiti proizvod ako je otvoren odeljak koji se nalazi na vrhu ili poledini vašeg proizvoda i koji sadrži

elektronske štampane ploče (poklopac elektronskih štampanih ploča) (1).



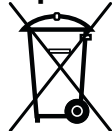
Za proizvode sa raspršivačem (dozatorom) vode;

- Pritisak za dovod hladne vode je maksimalno 90psi (620 kPa). Ukoliko pritisak vode premašuje 80psi (550 kPa), u glavnom vodu upotrebite ventil za ograničavanje pritiska. Ako ne znate kako se proverava pritisak vode, zatražite pomoć vodoinstalatera.
- Ukoliko u vašim instalacijama postoji rizik od efekta vodenog udara, u instalacijama uvek koristite opremu za sprečavanje vodenog udara. Posavetujte se sa vodoinstalaterom ukoliko niste sigurni da li u vašim instalacijama postoji efekat vodenog udara.
- Ne montirati na dovod za toplu vodu. Preduzmite mere opreza protiv rizika od smrzavanja cevi. Raspon temperature vode je od minimalno 33°F (0,6°C) do maksimalno 100°F (38°C).
- Koristiti samo vodu za piće.

Bezbednost dece

- Ako ste zaključali vrata, ključ treba čuvati van domašaja dece.
- Deca se moraju nadzirati da ne bi dirala proizvod.

Usaglašenost sa WEEE direktivom i odlaganje otpada:



Ovaj proizvod je usaglašen sa WEEE direktivom Evropske Unije (2012/19/EU). Ovaj proizvod nosi znak klasifikacije za električni i elektronski otpad (WEEE).

Ovaj proizvod je proizveden od visoko kvalitetnih delova i materijala koji se mogu ponovo koristiti i pogodni su za reciklažu. Nemojte odlagati proizvod u otpad sa običnim kućnim otpadom i drugim otpadima na kraju veka trajanja. Odložite ga u centar za sakupljanje i reciklažu električnog i elektronskog otpada. Konsultujte se sa svojim lokalnim vlastima da biste saznali o ovim centrima za sakupljanje otpada.

Usaglašenost sa RoHS direktivom:

Proizvod koji ste kupili u saglasnosti je sa RoHS direktivom Evropske Unije (2011/65/EU). On ne sadrži štetne i zabranjene materijale navedene u direktivi.

Informacije o pakovanju

Materijali za pakovanje ovog proizvoda proizvedeni su od materijala koji se mogu reciklirati u skladu sa nacionalnim propisima o zaštiti životne sredine. Materijale za pakovanje ne odlagati zajedno sa kućnim ili drugim otpadom. Odnosite ih na mesta za prikupljanje ambalažnog materijala određena od strane lokalne vlasti.

HC upozorenje

Ako rashladni sistem proizvoda sadrži R600a:

Ovaj gas je zapaljiv. Zato vodite računa da prilikom upotrebe i transporta ne oštetite sistem hlađenja i cevi. U slučaju oštećenja, ovaj proizvod čuvajte dalje od potencijalnih izvora vatre, jer se može desiti da se proizvod zapali, i proveravajte prostoriju u kojoj se nalazi.

Ignorišite ovo upozorenje ako rashladni sistem proizvoda sadrži R134a.

Vrsta gasa koji je korišćen u proizvodu naveden je na tipskoj pločici koja se nalazi na levoj strani unutar frižidera. Nemojte nikada bacati proizvod u vatru radi odlaganja.

Za uštedu energije

- Ne ostavljajte vrata svog frižidera dugo otvorena.
- Ne stavljajte vruću hranu u frižider.
- Ne pretovarujte frižider tako da se unutra ne sprečava cirkulacija vazduha.
- Ne postavljajte svoj frižider pod direktnu svetlost sunca ili blizu aparata koji emituju toplotu, kao što su rerna, mašina za suđe ili radiator.
- Pazite da držite svoju hranu u zatvorenim posudama.
- Za proizvode sa odeljkom zamrzivača: maksimalnu količinu hrane možete da čuvate u zamrzivaču kada izvadite policu ili fioku zamrzivača. Vrednost potrošnje energije koja je navedena na vašem frižideru određena je nakon uklanjanja police ili fioke zamrzivača i pod maksimalnim opterećenjem. Ne postoji nikakva opasnost od oštećenja pri korišćenju polica ili fioke u pogledu oblika i veličine hrane koju treba zamrznuti.
- Odmrzavanje zamrznute hrane u odeljku frižidera obezbediće uštedu energije i očuvati kvalitet hrane.

3 Instalacija

i Molimo da imate na umu da proizvođač neće biti odgovoran ako se ne pridržavate informacija iz priručnika.

Šta treba da se ima na umu prilikom ponovnog transporta frižidera

1. Vaš frižider mora da se isprazni i očisti pre bilo kakvog transporta.
2. Pre ponovnog pakovanja, police, dodaci, odeljak za voće i povrće, itd. u vašem frižideru moraju dobro da se pričvrste lepljivim trakama da se ne bi tresli.
3. Pakovanje mora da se poveže trakama i jakim užetom i morate da se pridržavate pravila transporta ispisanih na pakovanju.

Molimo da imate na umu...

Svaki reciklirani materijal je nezamenjivi izvor za prirodu i za naše nacionalne resurse.

Ako hoćete da doprinesete reciklaži materijala za pakovanje, možete da dobijete još informacija od instituta za zaštitu sredine ili lokalne samouprave.

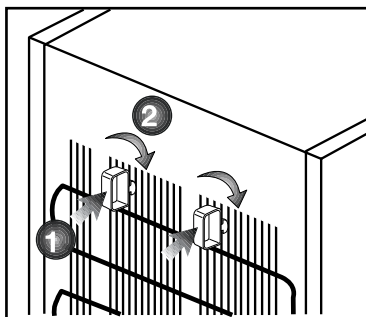
Podešavanje nožoca

Ako je vaš frižider neuravnotežen: Frižider možete uravnotežiti okretanjem prednjih nožica kao što je ilustrovano na slici. Ugao gde se nalazi nožica se spušta ako nožicu okrećete u smeru crne strelice i podiže kada je okrećete u suprotnom smeru. Ovaj postupak će biti lakši ako vam neka osoba pomogne tako što će malo podići frižider.

Pre uključivanja frižidera

Pr enego što počnete da koristite svoj frižider, proverite:

1. Da li je unutrašnjost frižidera suva i da li je na njegovoj zadnjoj strani obezbeđena slobodna cirkulacija vazduha?
2. Možete da instalirate 2 plastična čepa, kao što je pokazano na slici. Plastični klinovi će obezbediti potreban razmak između vašeg frižidera i zida radi omogućavanja cirkulacije vazduha.



3. Očistite unutrašnjost frižidera kao što je preporučeno u delu "Održavanje i čišćenje".
4. Uključite frižider u struju. Ako su vrata otvorena, upaliće se unutrašnje svetlo u odeljku frižidera.
5. Čućete buku kada se kompresor pokrene. Tečnost i gasovi koji se nalaze u sistemu za hlađenje mogu takođe da stvaraju buku, čak i ako kompresor ne radi i to je potpuno normalno.

6. Prednje ivice frižidera mogu da budu tople na dodir. To je normalno. Ta područja su napravljena da budu topla da bi se izbegla kondenzacija.

Električno povezivanje

Priključite vaš proizvod na uzemljenu utičnicu koja je zaštićena osiguračem odgovarajuće jačine.

Važno:

- Priključak mora da bude u skladu sa nacionalnim propisima.
- Utikač kabla za napajanje mora da bude lako dostupan nakog ugradnje.
- Napon i dozvoljeni osigurači su navedeni u delu "Specifikacije".
- Specificirani napon mora da bude jednak naponu vaše elektro mreže.
- Produžni kablovi i višestruke utičnice ne smeju se koristiti za priključivanje.

⚠ Oštećeni kabl za napajanje mora da zameni kvalifikovani električar.

Kondenzator vašeg uređaja se nalazi na zadnjoj strani kao što je prikazano ispod. Radi postizanja bolje energetske efikasnosti uz nižu potrošnju energije, privucite kondenzator k sebi kao što je prikazano na slici ispod.

*** Nije dostupno kod svih modela.**

⚠ Proizvod se ne sme uključivati dok se ne popravi! Postoji opasnost od električnog udara!

Odlaganje pakovanja

Materijali za pakovanje mogu biti opasni za decu. Materijale za pakovanje držite van domašaja dece ili ih odložite tako što ćete ih klasifikovati u skladu sa uputstvima za odlaganje otpada. Nemojte ih odlagati sa običnim kućnim otpadom.

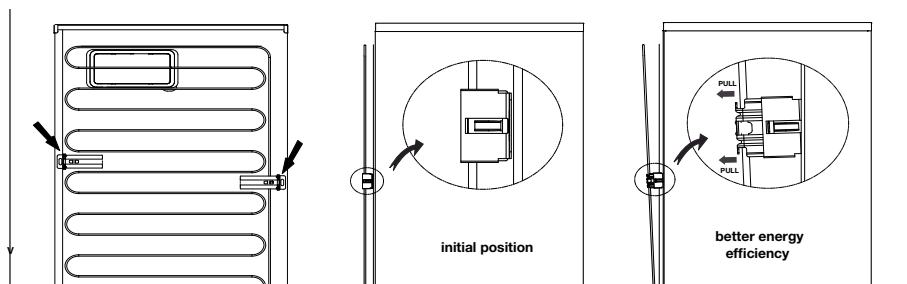
Pakovanje vašeg frižidera je proizvedeno od materijala koji se može reciklirati.

Odlaganje dotrajalog frižidera u otpad

Vaš dotrajali uređaj odložite tako da ne štetite životnoj sredini.

- U vezi sa odlaganjem dotrajalog frižidera se možete konsultovati sa ovlašćenim prodavcem ili centrom za sakupljanje otpada u vašoj opštini.

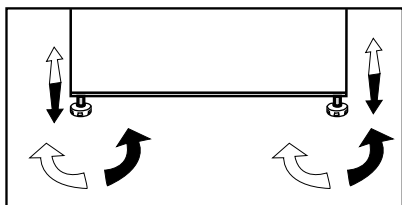
Pre nego što svoj frižider odložite na otpad, odrežite električni utikač i onespособite eventualne bravice na vratima da bi se deca zaštitila od bilo kakve opasnosti.



Podešavanje nožoca

Ako je vaš frižider neuravnotežen:

Frižider možete uravnotežiti okretanjem prednjih nožica kao što je ilustrovano na slici. Ugao gde se nalazi nožica se spušta ako nožicu okrećete u smeru crne strelice i podiže kada je okrećete u suprotnom smeru. Ovaj postupak će biti lakši ako vam neka osoba pomogne tako što će malo podići frižider.



Upozorenje za otvorena vrata

*opcija

Ako vrata odeljka frižidera ili zamrzivača budu otvorena određeno vreme, čuće se zvučno upozorenje. Ovaj zvučni signal će se isključiti kad se pritisne bilo koje dugme na indikatoru ili kad se zatvore vrata.

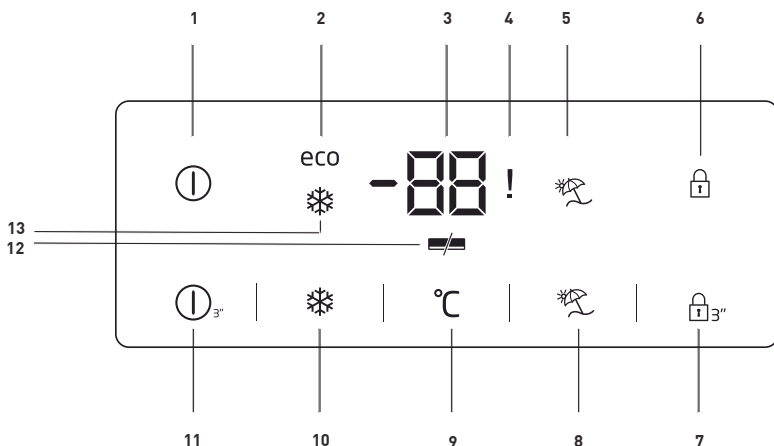
Promena smera otvaranja vrata

Smer otvaranja vrata frižidera može se menjati prema mestu na kome ga postavljate. Ako je potrebno, pozovite najbliži ovlašćeni servis.

4 Priprema

- i** Za samostojeći uređaj; „Ovaj rashladni uređaj nije predviđen da se koristi kao ugradni uređaj“.
- i** Vaš frižider treba da se ugradi najmanje 30 cm dalje od izvora toplote kao što su ringle, rerne, centralno grejanje i šporeti i bar 5 cm dalje od električnih rerna i ne treba da se stavi tamo gde je izložen direktnoj sunčevoj svetlosti.
- i** Temperatura okoline sobe gde ste ugradili svoj frižider treba da bude najmanje 5°C. Rad s Vašim frižiderom pod uslovima hlađenja drugačijim od ovih se ne preporučuje s obzirom na efikasnost.
- i** Pobrinite se da se unutrašnjost frižidera temeljno čisti.
- i** Ako su dva frižidera postavljena jedan pored drugog, udaljenost između njih treba da bude bar 2 cm.
- i** Kada prvi put uključite frižider, molimo da se držite sledećih uputstava za vreme prvih šest sati.
 - Vrata ne trebaju da se otvaraju često.
 - Mora da radi prazan, bez ikakve hrane u njemu.
 - Nemojte da isključujete frižider iz struje. Ako dođe do nestanka struje van vaše kontrole, pogledajte upozorenja u delu “Preporučena rešenja problema”.
- i** Originalno pakovanje i penasti materijali treba da se čuvaju za budući transport ili preseljenje.
- i** kod nekih modela, instrumentna tabla se sama gasi nakon 5 minuta od zatvaranja vrata. Tabla se ponovo upaljuje kada se vrata tvore ili kada se pritisne neko dugme.
- i** Usled promene temperature kao rezultat otvaranja/zatvaranja vrata proizvoda u toku rada, pojava kondenzacije na vratima/policama i staklenim posudama je normalna.
- i** Kako vruć i vlažan vazduh ne prodire u vaš proizvod kada vrata nisu otvorena, vaš proizvod će se optimizovati u uslovima dovoljnim za zaštitu vaše hrane. Funkcije i sastavni delovi kao kompresor, ventilator, grejač, odmrzivač, svetlo, ekran i tako dalje radiće u skladu sa potrebama za potrošnju minimalne energije pod ovim okolnostima

5 Rukovanje proizvodom



1. Indikator za uključivanje/isključivanje:

Ova ikona (Ⓜ) se pali kada je frižider isključen. Sve druge ikone su isključene.

2. Indikator ekonomične upotrebe:

Ova ikona (eco) se pali kada se odeljak frižidera postavi na 8 °C, što je najekonomičnija podešena vrednost. Indikator ekonomične upotrebe se isključuje kada se izabere funkcija brzog hlađenja ili brzog zamrzavanja.

3. Indikator podešavanja temperature odeljka frižidera:

Pokazuje temperaturu koja je podešena za odeljak frižidera.

4. Indikator upozorenja zbog nestanka struje / visoke temperature / greške

Ova lampica (⚡) svetli tokom odsustva napajanja, kvara usled previsoke temperature i upozorenja o greškama. Tokom produženog odsustva napajanja, najviša temperatura koju odeljak frižidera dostigne će treptati na digitalnom ekranu.

5. Indikator godišnjeg odmora:


Ova ikona (☀️) se pali kada je aktivna funkcija godišnjeg odmora.

6. Indikator zaključavanja tastera:


Ova ikona (🔒) svetli kada se aktivira režim zaključavanja tastera.

❗ Brojke iz ovog priručnika su šematske i možda ne odgovaraju tačno vašem proizvodu. Ako tematski delovi nisu uključeni u proizvod koji ste kupili, onda to važi za druge modele.

7. Režim zaključavanja tastera:


Pritisnite taster za zaključavanje tastera () i držite ga 3 sekunde. Upaliće se ikona za zaključavanje tastera i aktiviraće se režim zaključavanja tastera. Tasteri neće funkcionisati kada je aktivan režim zaključavanja tastera. Ponovo pritisnite taster za zaključavanje i držite ga 3 sekunde. Ikona za zaključavanje tastera će se isključiti, a režim zaključavanja tastera isključiti.

8. Funkcija godišnjeg odmora:


Kada pritisnete taster za godišnji odmor, funkcija godišnjeg odmora () se aktivira i indikator godišnjeg odmora se pali. Tu funkciju možete da koristite kada frižider nećete koristiti duži vremenski period. Imajte u vidu da u frižideru ne bi trebalo da bude hrane, u suprotnom frižider neće očuvati hranu u režimu godišnjeg odmora.

Ako se ta funkcija aktivira, temperatura odeljka frižidera se održava na 15 C° da bi se sprečio loš miris. Ponovo pritisnite taster za godišnji odmor da biste deaktivirali funkciju godišnjeg odmora.

9. Funkcija podešavanja frižidera:

Ova funkcija () vam omogućava da podesite temperaturu odeljka frižidera. Pritiskajte ovo dugme da biste podesili temperaturu u odeljku frižidera na 8, 7, 6, 5, 4, 3 i 1.

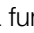
10. Funkcija brzog hlađenja:

Indikator brzog hlađenja () se pali kada se funkcija brzog hlađenja uključi. Ponovo pritisnite taster brzog hlađenja da biste opozvali ovu funkciju. Indikator brzog hlađenja će se isključiti


i vratiće se normalna podešavanja.

Funkcija brzog hlađenja će se automatski opozvati 1 sat kasnije ako je ručno ne opozovete. Ako želite da hladite veliku količinu sveže hrane, pritisnite taster za brzo hlađenje pre postavljanja hrane u odeljak frižidera.

11. Funkcija za uključivanje/isključivanje:

Ova funkcija () vam omogućava da isključite frižider kada se taster pritisne na 3 sekunde. Frižider može da se uključi kada se taster za uključivanje/isključivanje ponovo pritisne 3 sekunde.


12. Indikator štednje energije:

Ako se vrata proizvoda drže zatvorena duže vreme, funkcija za uštedu energije se automatski aktivira i simbol za uštedu energije svetli. ()

Ako je aktivna funkcija štednje energije, isključiće se svi simboli na displeju osim simbola za štednju energije. Kada je aktivna funkcija uštede energije, ako nijedno dugme nije pritisnuto ili ako su vrata otvorena, funkcija uštede energije se isključuje, a na displeju se ponovo pojavljuju simboli.

Funkcija za uštedu energije se aktivira tokom isporuke iz fabrike i ne može se otkazati.

13. Indikator brzog zamrzavanja:

Ova ikona () se pali kada je funkcija za brzo zamrzavanje uključena.

Korišćenje automata za vodu

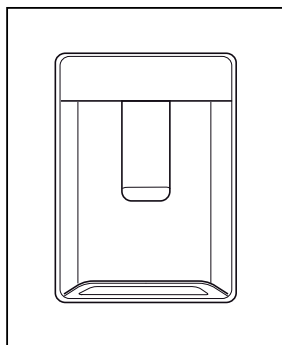
* Nije dostupno kod svih modela.

i	Normalno je da prvih nekoliko čaša vode sipanih iz automata za vodu budu tople.
i	Ako se aparat za vodu ne koristi duži vremenski period, prosipajte prvih nekoliko čaša da biste dobili svežu vodu.

1. Čašom gurnite ručicu rezervoara za vodu. Ako koristite meku plastičnu čašu, jednostavnije je da ručicu gurnete rukom.

2. Nakon punjenja čaše do željenog nivoa, pustite ručicu.

i	Imajte na umu da protok vode iz automata zavisi od toga koliko jako pritisnete ručicu. Kako nivo vode u plastičnoj/staklenoj čaši raste, lagano smanjite količinu pritiska na polugu da biste izbegli da se ona prepuni. Ako lagano pritisnete ručicu, voda će da kaplje; ovo je sasvim normalno i nije kvar.
----------	---



Punjenje rezervoara automata vodom

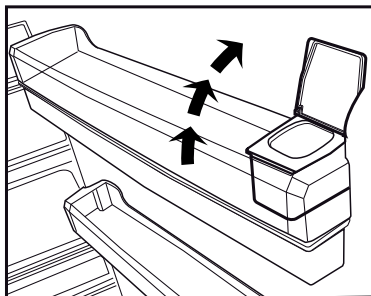
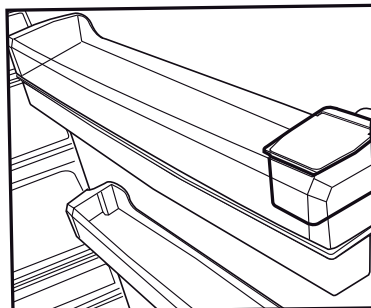
Rezervoar za vodu koji se dopunjuje se nalazi na polici na vratima.

1. Otvorite poklopac rezervoara.
2. Napunite rezervoar svežom vodom za piće.
3. Zatvorite poklopac.

i Rezervoar za vodu ne punite drugim tečnostima, kao što su voćni sokovi, gazirana pića ili alkoholna pića koja nisu pogodna za korišćenje u aparatu za vodu. Aparat za vodu će biti nepopravljivo oštećen ukoliko se koriste ovakve vrste tečnosti. Garancija ne pokriva takve načine korišćenja. Neke hemijske supstance i aditivi koji se nalaze u ovim vrstama pića/tečnosti mogu da oštete rezervoar za vodu.

i Koristite samo svežu vodu za piće.

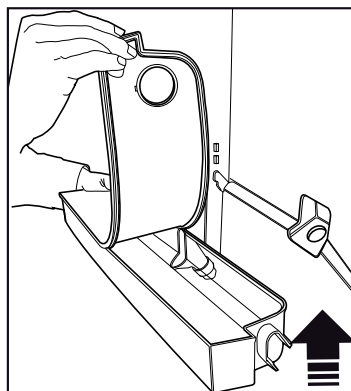
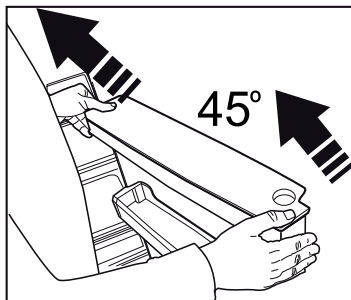
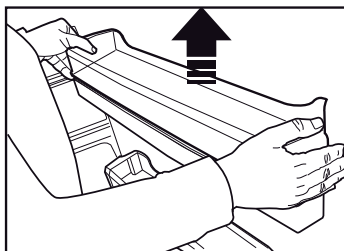
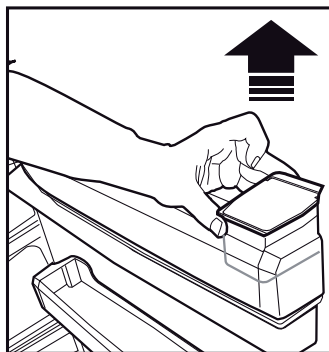
i Kapacitet rezervoara za vodu je 3 litra, nemojte ga prepunjavati.



Čišćenje rezervoara za vodu

1. Skinite rezervoar za punjenje vode sa police na vratima.
2. Skinite policu na vratima tako što ćete je držati sa obe strane.
3. Uхватite rezervoar za vodu sa obe strane i skinite ga tako što ćete ga okrenuti za 45°C.
4. Skinite poklopac rezervoara za vodu i očistite rezervoar.

i Komponente rezervoara za vodu i aparata za vodu ne treba da se peru u mašini za pranje sudova.

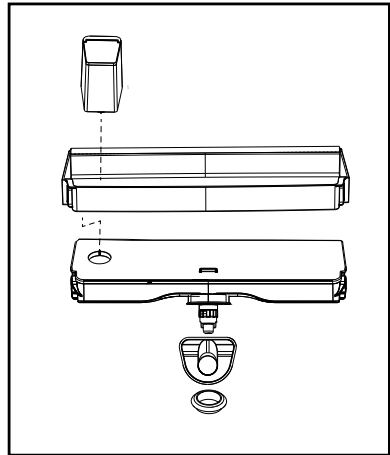
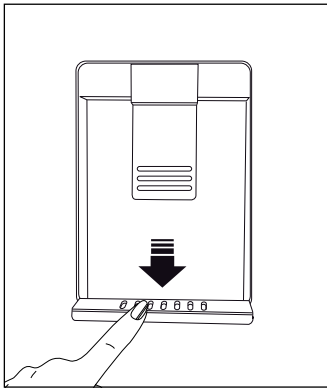


Posuda za sakupljanje vode

Voda koja kaplje tokom korišćenja aparata za vodu se sakuplja u posudi za sakupljanje vode

Skinite plastični filter na način prikazan na slici.

Nagomilanu vodu pokupite čistom suvom krpom.






Podešavanje odeljka zamrivača	Podešavanje odeljka frižidera	Objašnjenja
-18°C	4°C	Ovo je normalno preporučeno podešenje.
-20, -22 ili -24°C	4°C	Ova podešenja su preporučena kad temperatura okoline pređe 30°C.
Brzo zamrzavanje	4°C	Koristite kada želite da zamrznete hranu za kratko vreme. Vaš frižider će da se vrati na prethodni režim kad proces bude gotov.
-18°C ili hladnije	2°C	Ako mislite da odeljak frižidera nije dovoljno hladan zbog toplih uslova ili čestog otvaranja i zatvaranja vrata.
-18°C ili hladnije	Brzo hlađenje	Možete da ga koristite kad je odeljak frižidera prepunjen ili ako hoćete brzo da ohladite svoju hranu. Preporučuje se da aktivirate funkciju brzog hlađenja 4-8 sati pre stavljanja hrane.

Zamrzavanje sveže hrane

- Hrana mora da se zamota ili prekrije pre stavljanja u frižider.
- Vruća hrana mora da se ohladi do sobne temperature pre nego što je stavite u frižider.
- Hrana koju hoćete da smrznete mora da bude sveža i dobrog kvaliteta.
- Hrana mora da se podeli u porcije prema dnevnim potrebama porodice ili obroku u zavisnosti od prehrambenih potreba.
- Hrana mora da se pakuje u posude koje ne propuštaju vazduh da bi se sprečilo sušenje čak i ako će se čuvati kratko vreme.
- Materijali koji će se koristiti za pakovanje moraju da budu otporni na trošenje i hladnoću, vlagu, mirise, ulja i kiseline i ne smeju da propuštaju vazduh. Nadalje, moraju da budu dobro zatvoreni i moraju da budu napravljeni od materijala koji se lako koristi i podesan je za duboko zamrzavanje.
- Zamrznuta hrana mora da se koristi odmah posle topljenja i nikad ne sme opet da se zamrzava.
- Za najbolje rezultate, molimo držite se sledećih uputstava:
 1. Nemojte odjednom da zamrzavate velike količine hrane. Kvalitet hrane se najbolje održava kad se zamrzne odjednom i što brže.
 2. Stavljanje tople hrane u odeljak zamrivača dovodi do neprestanog rada rashladnog sistema dok se hrana u potpunosti ne zamrzne.
 3. Posebno pazite da ne mešate već smrznutu i svežu hranu.

Preporuke za čuvanje zamrznute hrane

- Unapred pakovana komercijalna zamrznuta hrana treba da se čuva prema uputstvima proizvođača sveže hrane za    odeljak za čuvanje smrznute hrane (4 zvezdice).

- Da biste osigurali veliki kvalitet postignut od strane proizvođača zamrznute hrane i prodavača hrane, morate da imate na umu sledeće:
1. Stavite pakete u zamrzivač što je pre moguće nakon kupovine.
 2. Pazite da je sadržaj označen i da ima datum.
 3. Ne prelazite datume “Koristiti do” i “Rok upotrebe” na pakovanju.

Odmrzavanje

Odeljak frižidera se odmrzava automatski.

Stavljanje hrane

Police odeljka zamrzivača	Razna smrznuta hrana kao što su meso, riba, sladoled, povrće itd.
Stalak za jaja	Jaje
Police odeljka frižidera	Hrana u loncima, pokrivenim tanjirima ili zatvorenim posudama
Police na vratima odeljka frižidera	Mala i pakovana hrana ili pića (kao što je mleko, voćni sok i pivo)
Odeljak za povrće	Povrće i voće
Odeljak "Freshzone"	Delikatesni proizvodi (sir, puter, salama itd.)

Informacije o dubokom smrzavanju

Hrana mora da se zamrzne što je brže moguće kad se stavi u frižider da bi se sačuvao dobar kvalitet.

Moguće je da držite hranu duže vreme samo na temperaturama od -18°C ili nižim.

Možete da sačuvate svežinu hrane puno meseci (na -18°C ili nižim temperaturama u dubokom zamrzavanju).

UPOZORENJE! ⚠

- Hrana mora da se podeli u porcije prema dnevnim potrebama porodice ili obroku u zavisnosti od prehrambenih potreba.

- Hrana mora da se pakuje u posude koje ne propuštaju vazduh da bi se sprečilo sušenje čak i ako će se čuvati kratko vreme.

Materijali potrebni za pakovanje:

- Selotejp otporan na hladnoću
- Samolepljiva nalepnica
- Gumice
- Olovka

Materijali koji će se koristiti za pakovanje moraju da budu otporni na trošenje i hladnoću, vlagu, mirise, ulja i kiseline.

Hrana za zamrzavanje ne sme da dođe u kontakt s prethodno zamrznutim predmetima da bi se sprečilo delimično topljenje.

Zamrznuta hrana mora da se koristi odmah posle topljenja i nikad ne sme opet da se zamrzava.

6 Čišćenje i održavanje

- ⚠ Nikada ne koristite naftu, benzen ili slične materijale u svrhu čišćenja.
- ⚠ Preporučujemo da pre čišćenja isključite uređaj iz struje.
- ⚠ Za čišćenje nikad nemojte da koristite oštre alate ili abrazivne materije, sapun, sredstva za čišćenje domaćinstava, deterđente ili vosak za poliranje.
- ⚠ Kod proizvoda koji nemaju funkciju Bez zamrzavanja (No Frost), voda kaplje i zamrzava se do debljine prsta na zadnjem zidu u odeljku frižidera. Nemojte da ga čistite; nikada nemojte da nanosite ulje ili slična sredstva na njega.
- ⚠ Koristite isključivo blago navlaženu mikrofiber krpu da očistite spoljašnju površinu proizvoda. Sunđeri i druge vrste krpa za čišćenje mogu da ogrebu površinu.
- ⚠ Za čišćenje frižidera, koristite mlaku vodu i obrišite ga.
- ⚠ Za čišćenje unutrašnjosti i sušenje, koristite iscedenu krpu koju ste bili umočili u rastvor od jedne kafene kašičice soda bikarbone u otprilike pola litre vode.
- ⚠ Pazite da voda ne uđe u kućište lampe i druge električne instalacije.
- ⚠ Ako frižider nećete da koristite duže vreme, isključite ga, izvadite svu hranu, očistite ga i ostavite vrata odškrinuta.
- ⚠ Redovno proveravajte izolaciju vrata da biste bili sigurni da je čista i da na njoj nema hrane.
- ⚠ Da biste skinuli policu vrata, izvadite sav sadržaj i jednostavno gurnite policu vrata prema gore iz baze.
- ⚠ Nikad ne koristite sredstva za čišćenje ili vodu koji sadrže hlor da biste očistili spoljašnje površine i hromirane delove proizvoda. Hlor izaziva koroziju na takvim metalnim površinama.

Zaštita plastičnih površina

- Ne stavljajte tekuća ulja ili hranu kuvanu s uljem u frižider nepoklopljenu jer može da ošteti plastične površine vašeg frižidera. U slučaju prolivanja ili razmazivanja na plastičnim površinama, odmah ih očistite i isperite toplom vodom.

7 Preporučena rešenja problema

Pregledajte ovu listu pre zvanja servisa. To može da Vam uštedi vreme i novac. Ova lista uključuje česte probleme do kojih ne dolazi zbog neadekvatne izrade ili upotrebe materijala. Neke funkcije, koje su ovde opisane, možda ne postoje kod vašeg proizvoda.

Frižider ne radi.

- Da li je frižider uključen u struju? Utaknite utikač u zidnu utičnicu.
- Da li je pregoreo osigurač utičnice na koju je spojen frižider ili je pregoreo glavni osigurač? Proverite osigurač.

Kondenzacija na bočnim zidovima odeljka frižidera. (VIŠENAMENSKA ZONA, KONTROLA HLAĐENJA I FLEKSIBILNA ZONA)

- Veoma hladni uslovi sredine. Često otvaranje i zatvaranje vrata. Veoma vlažni uslovi sredine. Čuvanje hrane koja sadrži tečnost u otvorenim posudama. Ostavljanje vrata odškrinutim.
- Prebacivanje termostata na hladniji stepen.
- Smanjenje vremena koliko su vrata otvorena ili ređa upotreba.
- Zatvaranje hrane koja se čuva u otvorenim posudama odgovarajućim materijalom.
- Brisanje kondenzata pomoću suve krpice; proverite da li se ponavlja.

Kompresor ne radi

- Zaštitni termo-osigurač kompresora će pregoreti za vreme naglog nestanka struje ili uključivanja i isključivanja, jer se pritisak rashladnog sredstva sistema frižidera još uvek nije stabilizovao.
- Vaš frižider će početi da radi otprilike posle 6 minuta. Molimo zovite servis ako se Vaš frižider ne uključi na kraju ovog perioda.
- Frižider je u ciklusu odmrzavanja. To je normalno za frižider koji se potpuno automatski odmrzava. Ciklus odmrzavanja se uključuje periodično.
- Vaš frižider nije priključen na utičnicu. Pobrinite se da utikač bude pravilno utaknut u utičnicu.
- Da li je temperatura pravilno podešena? Struja je nestala. Zovite Vašu elektrodistribuciju.

Frižider radi stalno ili dugo.
<ul style="list-style-type: none"> • Vaš frižider je možda širi od Vašeg prethodnog frižidera. To je potpuno normalno. Veliki frižideri rade duže vreme. • Temperatura okoline u sobi može da bude visoka. To je normalno. • Frižider je možda nedavno uključen ili je napunjen hranom. Potpuno hlađenje frižidera može da traje nekoliko sati duže. • U frižider su možda nedavno stavljene veće količine vruće hrane. Vruća hrana izaziva duži rad frižidera dok se ne postigne sigurna temperatura čuvanja. • Vrata su možda često otvarana ili su odškrinuta duže vreme. Topli vazduh koji je ušao u frižider je uzrok dužeg rada frižidera. Redo otvarajte vrata. • Vrata odeljka zamrzivača ili frižidera su možda ostavljena odškrinuta. Proverite da li su vrata dobro zatvorena. • Frižider je podešen na veoma nisku temperaturu. Podesite temperaturu frižidera na topliji stepen i sačekajte dok se ne postigne temperatura. • Zaptivač vrata frižidera može da bude zaprljan, istrošen, polomljen ili da ne leže kako treba. Očistite ili zamenite zaptivač. Oštećen/ pokvaren zaptivač dovodi do toga da frižider radi duže vreme da bi održao trenutnu temperaturu.
Temperatura zamrzivača je jako niska dok je temperatura frižidera dovoljna.
<ul style="list-style-type: none"> • Temperatura zamrzivača je podešena na jako nisku temperaturu. Podesite temperaturu zamrzivača na topliji nivo i proverite.

Temperatura frižidera je jako niska dok je temperatura zamrzivača dovoljna.
<ul style="list-style-type: none"> • Temperatura frižidera je podešena na veoma nisku temperaturu. Podesite temperaturu frižidera na topliji stepen i proverite.
Hrana koja se čuva na policama u odeljku frižidera se zamrzava.
<ul style="list-style-type: none"> • Temperatura frižidera je podešena na veoma nisku temperaturu. Podesite temperaturu frižidera na topliji stepen i proverite.
Temperatura u frižideru ili zamrzivaču je veoma visoka.
<ul style="list-style-type: none"> • Temperatura frižidera je podešena na veoma visoku temperaturu. Podešavanje temperature ima uticaj na temperaturu zamrzivača. Menjajte temperaturu frižidera ili zamrzivača dok temperatura frižidera ili zamrzivača ne dosegne potreban nivo. • Vrata su možda ostala odškrinuta. Zatvorite vrata do kraja. • U frižider su možda nedavno stavljene veće količine vruće hrane. Sačekajte dok frižider ili zamrzivač ne postignu željenu temperaturu. • Frižider je možda nedavno uključen. Hlađenje frižidera do kraja zahteva vreme zbog veličine.
Buka koja je slična zvuku sekundare na analognom satu dolazi iz frižidera.
<ul style="list-style-type: none"> • Ova buka dolazi iz solenoidnog ventila frižidera. Solenoidni ventila je potreban za osiguranje prolaska rashladnog sredstva kroz odeljak koji se može podešavati na temperature hlađenja ili zamrzavanja i vršiti rashladne funkcije. To je normalno i nije greška.

Buka u toku rada se povećava kad frižider radi.
<ul style="list-style-type: none"> Radne karakteristike frižidera se mogu menjati u skladu sa promenama temperature okoline. To je normalno i nije greška.
Vibracije ili buka.
<ul style="list-style-type: none"> Pod nije ravan ili je slab. Frižider se ljulja kad se polako pomera. Pobrinite se da je pod ravan, jak i da može da nosi frižider. Buku mogu izazivati i stvari koje su stavljene na frižider. Takve stvari treba skloniti sa vrha frižidera.
Postoje šumovi kao što su prolivanje tečnosti ili prskanje.
<ul style="list-style-type: none"> Cirkulacija tečnosti i gasa se vrši u skladu sa principima rada vašeg televizora. To je normalno i nije greška.
Javlja se šum koji podseća na duvanje vetra.
<ul style="list-style-type: none"> Vazdušni aktivatori (ventilatori) se koriste radi efikasnijeg hlađenja frižidera. To je normalno i nije greška.
Kondenzat na unutrašnjim površinama frižidera.
<ul style="list-style-type: none"> Vruće i vlažno vreme pojačava stvaranje leda i kondenzaciju. To je normalno i nije greška. Vrata su odškrinuta. Pobrinite se da vrata budu potpuno zatvorena. Vrata su možda bila otvarana često ili su možda ostala otvorena duže vreme. Ređe otvarajte vrata.
Vlaga nastaje na spoljašnjoj strani frižidera ili između vrata.
<ul style="list-style-type: none"> Vreme može da bude vlažno. To je potpuno normalno na vlažnom vremenu. Kad bude manje vlage, kondenzat će da nestane.

Neprijatan miris unutar frižidera.
<ul style="list-style-type: none"> Unutrašnjost frižidera mora da se očisti. Očistite unutrašnjost frižidera sunderom, toplom vodom ili gaziranom vodom. Neke posude ili pakovanje možda uzrokuju neprijatan miris. Upotrebite drugu posudu ili drugu marku materijala za pakovanje.
Vrata se ne zatvaraju.
<ul style="list-style-type: none"> Paketi hrane možda sprečavaju zatvaranje vrata. Pomerite pakete koji smetaju vratima. Frižider verovatno ne stoji potpuno vertikalno na podu i možda se ljulja kad se lagano pomeri. Podesite šrafove za podizanje. Pod nije ravan ili jak. Pobrinite se da je pod ravan, jak i da može da nosi frižider.
Odeljak za povrće je zaglavljen.
<ul style="list-style-type: none"> Hrana možda dodiruje plafon fioke. Prerasporedite hranu u fioci.
Ako Je Površina Proizvoda Vruća.
<ul style="list-style-type: none"> Visoke temperature se mogu javiti između dvoja vrata, na bočnim tablama i na zadnjoj rešetki prilikom korišćenja proizvoda. To je normalno i servisno održavanje nije neophodno!