



Refrigerator - Freezer

Instruction of use

Hladilno - Zamrzovalni

Navodila za uporabo

Hladnjak - Zamrzivač

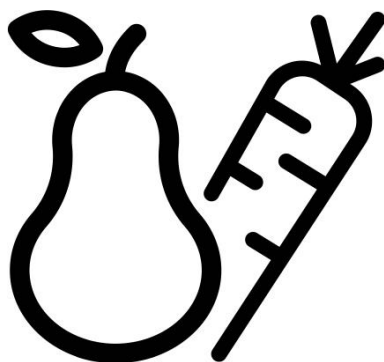
Upute za uporabu

Chladnička - Mraznička

Pokyny pro používání

Chladnička - Mraznička

Návod na použitie



RCSA340K30WN

EN-SL-HR-CZ-SK

Please read this user manual first!

Dear Customer,

We hope that your product, which has been produced in modern plants and checked under the most meticulous quality control procedures, will provide you an effective service.

Therefore, read this entire user manual carefully before using the product and keep it as a reference. If you handover the product to someone else, give the user manual as well.

The user manual will help you use the product in a fast and safe way.


- Read the manual before installing and operating the product.
- Make sure you read the safety instructions.
- Keep the manual in an easily accessible place as you may need it later.
- Read the other documents given with the product.

Remember that this user manual is also applicable for several other models. Differences between models will be identified in the manual.

Explanation of symbols

Throughout this user manual the following symbols are used:

 Important information or useful tips.

 Warning against dangerous conditions for life and property.

 Warning against electric voltage.



WARNING!

In order to ensure a normal operation of your refrigerating appliance, which uses a completely environmentally friendly refrigerant the R600a (flammable only under certain conditions) you must observe the following rules:

- ♦ Do not hinder the free circulation of the air around the appliance.
- ♦ Do not use mechanical devices in order to accelerate the defrosting, others than the ones recommended by the manufacturer.
- ♦ Do not destroy the refrigerating circuit.
- ♦ Do not use electric appliances inside the food keeping compartment, other than those that might have been recommended by the manufacturer.

INFORMATION



ENERG 



SUPPLIER'S NAME

MODEL IDENTIFIER → (*)

A

A

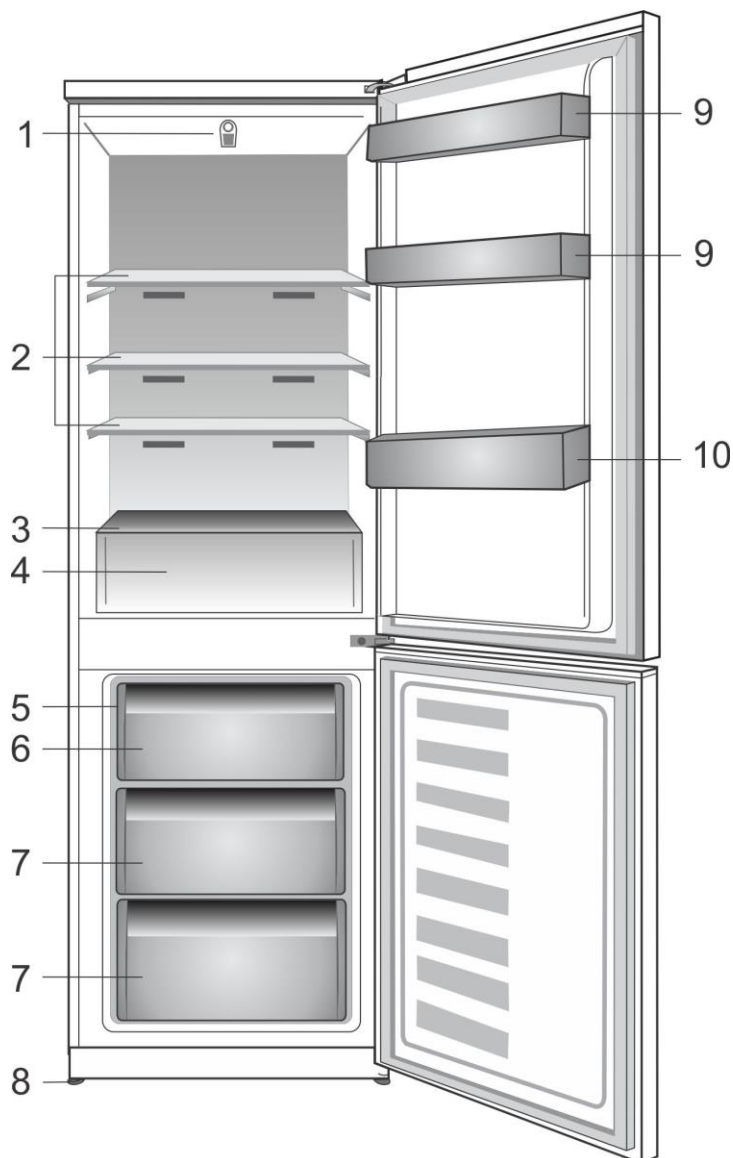
The model information as stored in the product data base can be reached by entering following website and searching for your model identifier (*) found on energy label.

<https://eprel.ec.europa.eu/>

CONTENTS

<u>1 Your refrigerator</u>	<u>3</u>	<u>4 Preparation</u>	<u>10</u>
<u>2 Important Safety Warnings</u>	<u>4</u>	<u>5 Using your refrigerator</u>	<u>11</u>
Intended use.....	4	Thermostat setting button.....	11
General safety.....	4	Defrost.....	11
For products with a water dispenser.....	6	Freezing fresh food.....	12
Child safety.....	6	Recommendations for preservation of frozen food.....	13
Compliance with the WEEE Regulation and Disposing of the Waste Product.....	6	Recommendations for the fresh food compartment.....	13
Package information.....	7	Reversing the doors.....	14
HCA warning.....	7	<u>6 Maintenance and cleaning</u>	<u>15</u>
Things to be done for energy saving.....	7	Avoiding bad odours.....	15
<u>3 Installation</u>	<u>8</u>	Protection of plastic surfaces	15
Points to be paid attention to when the relocation of the refrigerator.....	8	<u>7 Troubleshooting</u>	<u>16</u>
Before you start the refrigerator,.....	8		
Electrical connection.....	8		
Disposing of the packaging.....	9		
Disposing of your old refrigerator.....	9		
Placing and Installation.....	9		
Changing the illumination lamp	9		
Adjusting the legs.....	9		

1 Your refrigerator



1. Setting knob and interior light
2. Adjustable Cabinet shelves
3. Cover glass
4. Salad crispers
5. Ice tray support & ice tray
6. Compartment for quickly freezing
7. Compartments for frozen foods keeping
8. Adjustable front feet
9. Shelf for jars
10. Shelf for bottles

i Figures that take place in this instruction manual are schematic and may not correspond exactly with your product. If the subject parts are not included in the product you have purchased, then it is valid for other models.

2 Important Safety Warnings

Please review the following information. Failure to observe this information may cause injuries or material damage. Otherwise, all warranty and reliability commitments will become invalid.

Original Spare parts will be provided for 10 years, following the product purchasing date.

Intended use

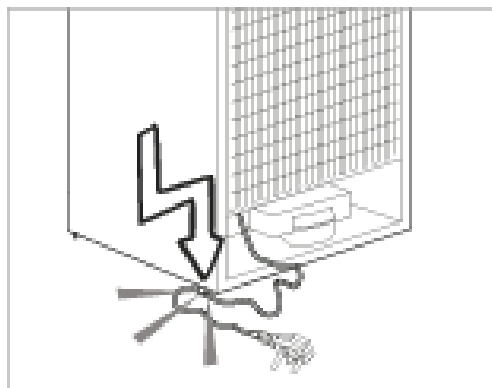
This product is intended to be used

- indoors and in closed areas such as homes;
- in closed working environments such as stores and offices;
- in closed accommodation areas such as farm houses, hotels, pensions.
- It should not be used outdoors.

General safety

- When you want to dispose/scrap the product, we recommend you to consult the authorized service in order to learn the required information and authorized bodies.
- Consult your authorized service for all your questions and problems related to the refrigerator. Do not intervene or let someone intervene to the refrigerator without notifying the authorised services.
- For products with a freezer compartment; Do not eat cone ice cream and ice cubes immediately after you take them out of the freezer compartment! (This may cause frostbite in your mouth.)
- For products with a freezer compartment; Do not put bottled and canned liquid beverages in the freezer compartment. Otherwise, these may burst.
- Do not touch frozen food by hand; they may stick to your hand.
- Unplug your refrigerator before cleaning or defrosting.
- Vapor and vaporized cleaning materials should never be used in cleaning and defrosting processes of your refrigerator. In such cases, the vapor may get in contact with the electrical parts and cause short circuit or electric shock.
- Never use the parts on your refrigerator such as the door as a means of support or step.
- Do not use electrical devices inside the refrigerator.
- Do not damage the parts, where the refrigerant is circulating, with drilling or cutting tools. The refrigerant that might blow out when the gas channels of the evaporator, pipe extensions or surface coatings are punctured causes skin irritations and eye injuries.
- Do not cover or block the ventilation holes on your refrigerator with any material.
- Electrical devices must be repaired by only authorised persons. Repairs performed by incompetent persons create a risk for the user.

- In case of any failure or during a maintenance or repair work, disconnect your refrigerator's mains supply by either turning off the relevant fuse or unplugging your appliance.
- Do not pull by the cable when pulling off the plug.
- Place the beverage with higher proofs tightly closed and vertically.
- Never store spray cans containing flammable and explosive substances in the refrigerator.
- Do not use mechanical devices or other means to accelerate the defrosting process, other than those recommended by the manufacturer.
- This product is not intended to be used by persons with physical, sensory or mental disorders or unlearned or inexperienced people (including children) unless they are attended by a person who will be responsible for their safety or who will instruct them accordingly for use of the product.
- Do not operate a damaged refrigerator. Consult with the service agent if you have any concerns.
- Electrical safety of your refrigerator shall be guaranteed only if the earth system in your house complies with standards.
- Exposing the product to rain, snow, sun and wind is dangerous with respect to electrical safety.
- Contact authorized service when there is a power cable damage to avoid danger.
- Never plug the refrigerator into the wall outlet during installation. Otherwise, risk of death or serious injury may arise.
- This refrigerator is intended for only storing food items. It must not be used for any other purpose.
- Label of technical specifications is located on the left wall inside the refrigerator.
- Never connect your refrigerator to electricity-saving systems; they may damage the refrigerator.
- If there is a blue light on the refrigerator, do not look at the blue light with optical tools.
- For manually controlled refrigerators, wait for at least 5 minutes to start the refrigerator after power failure.
- This operation manual should be handed in to the new owner of the product when it is given to others.
- Avoid causing damage on power cable when transporting the refrigerator. Bending cable may cause fire. Never place heavy objects on power cable.
- Do not touch the plug with wet hands when plugging the product.



- Do not plug the refrigerator if the wall outlet is loose.
- Water should not be sprayed on inner or outer parts of the product for safety purposes.

- Do not spray substances containing inflammable gases such as propane gas near the refrigerator to avoid fire and explosion risk.
- Never place containers filled with water on top of the refrigerator; in the event of spillages, this may cause electric shock or fire.
- Do not overload the refrigerator with food. If overloaded, the food items may fall down and hurt you and damage refrigerator when you open the door.
- Never place objects on top of the refrigerator; otherwise, these objects may fall down when you open or close the refrigerator's door.
- As they require a precise temperature, vaccines, heat-sensitive medicine and scientific materials and etc. should not be kept in the refrigerator.
- If not to be used for a long time, refrigerator should be unplugged. A possible problem in power cable may cause fire.
- The plug's tip should be cleaned regularly with a dry cloth; otherwise, it may cause fire.
- Refrigerator may move if adjustable legs are not properly secured on the floor. Properly securing adjustable legs on the floor can prevent the refrigerator to move.
- When carrying the refrigerator, do not hold it from door handle. Otherwise, it may be snapped.
- When you have to place your product next to another refrigerator or freezer, the distance between devices should be at least 8cm. Otherwise, adjacent side walls may be humidified.

For products with a water dispenser;

Pressure of water mains should be minimum 1 bar. Pressure of water mains should be maximum 8 bars.


- Use only potable water.

Child safety

- If the door has a lock, the key should be kept away from reach of children.
- Children must be supervised to prevent them from tampering with the product.

Compliance with the WEEE Regulation and Disposing of the Waste Product



The symbol  on the product or on packaging indicates that this product may not be treated as household waste. Instead it shall be handed over to the applicable collection point for the recycling of electrical and electronic equipment. By ensuring this product is disposed of correctly, you will help prevent potential negative consequences for the environment and human health, which could otherwise be caused by inappropriate waste handling of this product. For more detailed information about recycling of this product, please contact your local city office, your household waste disposal service or the shop where you purchased the product.

Package information

Packaging materials of the product are manufactured from recyclable materials in accordance with our National Environment Regulations. Do not dispose of the packaging materials together with the domestic or other wastes. Take them to the packaging material collection points designated by the local authorities.

Do not forget...

Any recycled substance is an indispensable matter for nature and our national asset wealth.

If you want to contribute to the reevaluation of the packaging materials, you can consult to your environmentalist organizations or the municipalities where you are located.

HCA warning

If your product's cooling system contains R600a:

This gas is flammable. Therefore, pay attention to not damaging the cooling system and piping during usage and transportation. In the event of damage, keep your product away from potential fire sources that can cause the product catch a fire and ventilate the room in which the unit is placed.

Type of gas used in the product is stated in the type label which is on the left wall inside the refrigerator.

Never throw the product in fire for disposal.

Things to be done for energy Saving

- Do not leave the doors of your refrigerator open for a long time.
 - Do not put hot food or drinks in your refrigerator.
 - Do not overload your refrigerator so that the air circulation inside of it is not prevented.
 - Do not install your refrigerator under direct sunlight or near heat emitting appliances such as ovens, dishwashers or radiators. Keep your refrigerator at least 30cm away from heat emitting sources and at least 5cm from electrical ovens.
 - Pay attention to keep your food in closed containers.
 - You can load maximum amount of food to the freezer compartment of the refrigerator by removing the freezer compartment drawers. Declared energy consumption value of the refrigerator was determined with the freezer compartment drawers removed. There is no risk in using a shelf or drawer suitable for the shapes and sizes of the foods to be frozen.
 - Thawing frozen food in fridge compartment will both provide energy saving and preserve the food quality.
- i** The ambient temperature of the room where you install the refrigerator should at least be -15°C. Operating your refrigerator under colder conditions than this is not recommended.
- i** Inside of your refrigerator must be cleaned thoroughly.

3 Installation

⚠ In case the information which are given in the user manual are not taken into account, manufacturer will not assume any liability for this.

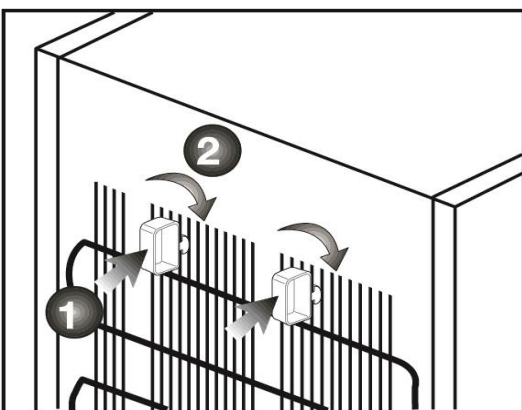
Points to be paid attention to when the relocation of the refrigerator

1. Your refrigerator should be unplugged. Before transportation of your refrigerator, it should be emptied and cleaned.
2. Before it is re-packaged, shelves, accessories, crisper, etc. inside your refrigerator should be fixed with adhesive tape and secured against impacts. Package should be bound with a thick tape or sound ropes and the transportation rules on the package should be strictly observed.
3. Original packaging and foam materials should be kept for future transportations or moving.

Before you start the refrigerator,

Check the following before you start to use your refrigerator:

1. Attach 2 plastic wedges as illustrated below. Plastic wedges are intended to keep the distance which will ensure the air circulation between your refrigerator and the wall. (The picture is drawn up as a representation and it is not identical with your product.)



2. Clean the interior of the refrigerator as recommended in the “Maintenance and cleaning” section.
3. Connect the plug of the refrigerator to the wall socket. When the fridge door is opened, fridge internal lamp will turn on.
4. When the compressor starts to operate, a sound will be heard. The liquid and gases sealed within the refrigeration system may also give rise to noise, even if the compressor is not running and this is quite normal.
5. Front edges of the refrigerator may feel warm. This is normal. These areas are designed to be warm to avoid condensation.

Electrical connection

Connect your product to a grounded socket which is being protected by a fuse with the appropriate capacity.

Important:

The connection must be in compliance with national regulations.

- The power plug must be easily accessible after installation.
- Electrical safety of your refrigerator shall be guaranteed only if the earth system in your house complies with standards.
- The voltage stated on the label located at left inner side of your product should be equal to your network voltage.
- **Extension cables and multi plugs must not be used for connection.**

⚠ A damaged power cable must be replaced by a qualified electrician.

⚠ Product must not be operated before it is repaired! There is the risk of electric shock!

Disposing of the packaging

The packing materials may be dangerous for children. Keep the packing materials out of the reach of children or dispose of them by classifying them in accordance with the waste instructions stated by your local authorities. Do not throw away with regular house waste, throw away on packaging pick up spots designated by the local authorities.

The packing of your refrigerator is produced from recyclable materials.

Disposing of your old Refrigerator

Dispose of your old refrigerator without giving any harm to the environment.

- You may consult your authorized dealer or waste collection center of your municipality about the disposal of your refrigerator.

Before disposing of your refrigerator, cut out the electric plug and, if there are any locks on the door, make them inoperable in order to protect children against any danger.

Placing and Installation

⚠ If the entrance door of the room where the refrigerator will be installed is not wide enough for the refrigerator to pass through, then call the authorized service to have them remove the doors of your refrigerator and pass it sideways through the door.

1. Install your refrigerator to a place that allows ease of use.
2. Keep your refrigerator away from heat sources, humid places and direct sunlight.

3. There must be appropriate air ventilation around your refrigerator in order to achieve an efficient operation. If the refrigerator is to be placed in a recess in the wall, there must be at least 5 cm distance with the ceiling and at least 5 cm with the wall. Do not place your product on the materials such as rug or carpet.
4. Place your refrigerator on an even floor surface to prevent jolts.

Changing the illumination Lamp

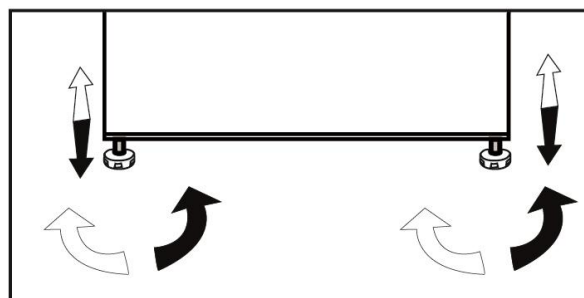
To change the Bulb/LED used for illumination of your refrigerator, call your Authorized Service.

The lamp(s) used in this appliance is not suitable for household room illumination. The intended purpose of this lamp is to assist the user to place foodstuffs in the refrigerator/freezer in a safe and comfortable way.

The lamps used in this appliance have to withstand extreme physical conditions such as temperatures below -20°C .

Adjusting the legs

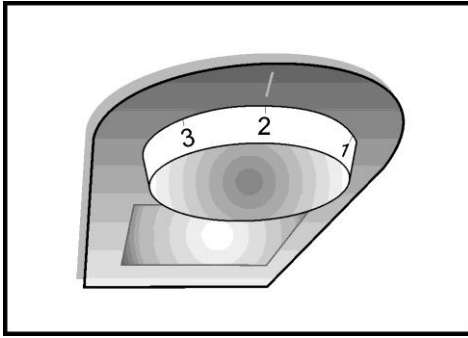
If your refrigerator is unbalanced; You can balance your refrigerator by turning its front legs as illustrated in the figure. The corner where the leg exists is lowered when you turn in the direction of black arrow and raised when you turn in the opposite direction. Taking help from someone to slightly lift the refrigerator will facilitate this process.



4 Preparation

- Your refrigerator should be installed at least 30 cm away from heat sources such as hobs, ovens, central heater and stoves and at least 5 cm away from electrical ovens and should not be located under direct sunlight.
- Please make sure that the interior of your refrigerator is cleaned thoroughly.
- If two refrigerators are to be installed side by side, there should be at least 2 cm distance between them.
- When you operate your refrigerator for the first time, please observe the following instructions during the initial six hours.
- The door should not be opened frequently.
- It must be operated empty without any food in it.
- Do not unplug your refrigerator. If a power failure occurs out of your control, please see the warnings in the “Recommended solutions for the problems” section.
- This product has been designed to function at ambient temperatures up to 43 °C (110 °F).

5 Using your refrigerator



Thermostat setting button

The interior temperature of your refrigerator changes for the following reasons;

- Seasonal temperatures,
- Frequent opening of the door and leaving the door open for long periods,
- Food put into the refrigerator without cooling down to the room temperature,
- The location of the refrigerator in the room (e.g. exposing to sunlight).
- You may adjust the varying interior temperature due to such reasons by using the thermostat.

Operating temperatures are controlled by the thermostat knob and may be set at any position between 0 and 5 (the coldest position).

The average temperature inside the fridge should be around +5°C (+41°F). Therefore adjust the thermostat to obtain the desired temperature. Some sections of the fridge may be cooler or warmer (such as salad crisper and top part of the cabinet) which is quite normal. We recommend that you check the temperature periodically with a thermometer to ensure that the cabinet is kept to this temperature. Frequent door openings cause internal temperatures to rise, so it is advisable to close the door as soon as possible after use.

Defrost

A) Fridge compartment

Fridge compartment performs full-automatic defrosting. Water drops and a frosting up to 7-8 mm can occur on the inner rear wall of the fridge compartment while your refrigerator cools down. Such formation is normal as a result of the cooling system. The frost formation is defrosted by performing automatic defrosting with certain intervals thanks to the automatic defrosting system of the rear wall. User is not required to scrape the frost or remove the water drops. Water resulting from the defrosting passes from the water collection groove and flows into the evaporator through the drain pipe and evaporates here by itself. Check regularly to see if the drain pipe is clogged or not and clear it with the stick in the hole when necessary.

Deep freezer compartment does not perform automatic defrosting in order to prevent decaying of the frozen food.

B) Freezer compartment

Defrosting is very straightforward and without mess, thanks to a special defrost collection basin.

Defrost twice a year or when a frost layer of around 7 (1/4") mm has formed. To start the defrosting procedure, switch off the appliance at the socket outlet and pull out the mains plug.

All food should be wrapped in several layers of newspaper and stored in a cool place (e.g.) fridge or larder. Containers of warm water may be placed carefully in the freezer to speed up the defrosting.

Do not use pointed or sharp-edged objects, such as knives or forks to remove the frost.

Never use hair dryers, electrical heaters or other such electrical appliances for defrosting.

Sponge out the defrost water collected in the bottom of the freezer compartment.

After defrosting, dry the interior thoroughly. Insert the plug into the wall socket and switch on the electricity supply.

Freezing fresh food

- It must be preferred to wrap or cover the food before placing them in the refrigerator.
- Hot food must cool down to the room temperature before putting them in the refrigerator.
- The foodstuff that you want to freeze must be fresh and in good quality.
- Foodstuff must be divided into portions according to the family's daily or meal based consumption needs.
- The foodstuff must be packaged in an airtight manner to prevent them from drying even if they are going to be kept for a short time.
- Materials to be used for packaging must be tear-proof and resistant to cold, humidity, odor, oils and acids and they must also be airtight. Moreover, they must be well closed and they must be made from easy-to-use materials that are suitable for deep freeze usage.
- Frozen food must be used immediately after they are thawed and they should never be re-frozen.
- Please observe the following instructions to obtain the best results.


1. Do not freeze too large quantities of food at one time. The quality of the food is best preserved when it is frozen right through to the core as quickly as possible.

2. Placing warm food into the freezer compartment causes the cooling system to operate continuously until the food is frozen solid.

3. Take special care not to mix already frozen food and fresh food.

- Hot food and beverages must cool down to the room temperature before putting them in the refrigerator.
- Maximum frozen food storage volume is achieved without using the drawers and the upper shelf cover provided in the freezer compartment. Energy consumption of your appliance is declared while the freezer compartment is fully loaded on shelves without the use of the drawers and upper shelf cover.
- If there is a power failure do not open the freezer door. Even if the power failure lasts up to the "Temperature Increasing Time" indicated in the "Technical specifications of your refrigerator" section, frozen food will not be affected. In case the failure lasts longer, the food must be checked and when necessary, must be consumed immediately or must be frozen after cooked.
- Please pay attention to the expiry date, maximum allowed storage period and recommended storage temperature of foodstuffs when purchased. If expiry date is passed, do not consume.

Recommendations for preservation of frozen food

Prepacked commercially frozen food should be stored in accordance with the frozen food manufacturer's instructions for a  (4 star) frozen food storage compartment.

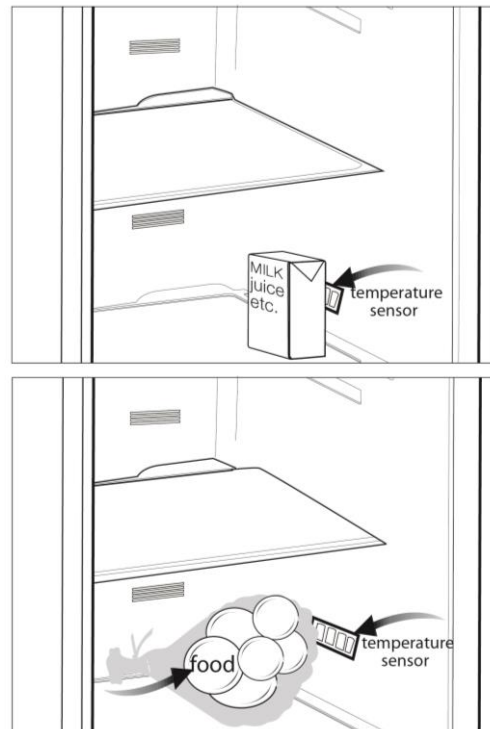
- To ensure that the high quality achieved by the frozen food manufacturer and the food retailer is maintained, the following should be remembered:

1. Put packages in the freezer as quickly as possible after purchase.
2. Ensure that contents are labeled and dated.
3. Do not exceed "Use By", "Best Before" dates on the packaging.

Recommendations for the fresh food compartment

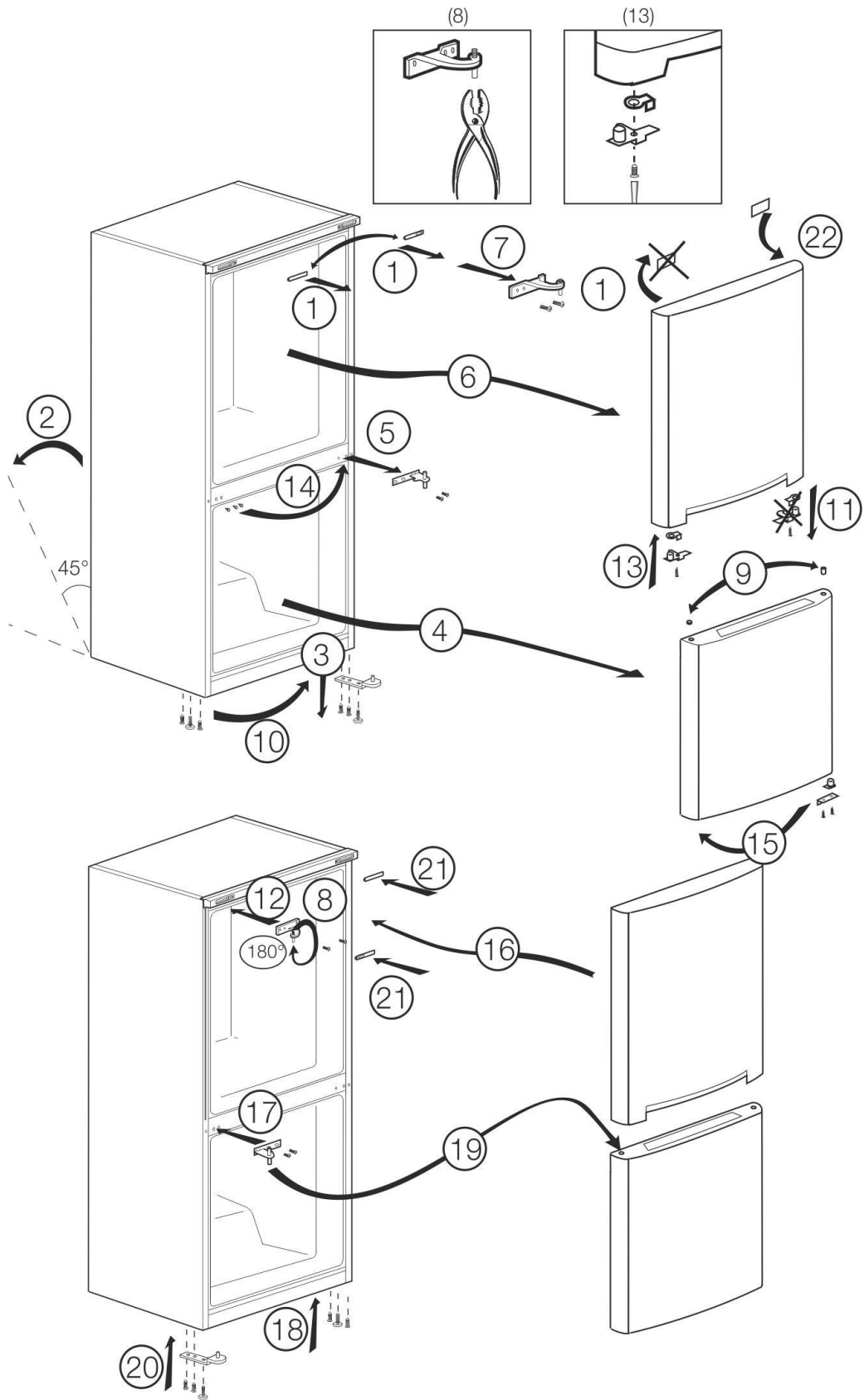
***optional**

- Do not allow the food to touch the temperature sensor in fresh food compartment. To allow the fresh food compartment keep its ideal storage temperature, sensor must not be hindered by food.
- Do not place hot foods in the product.



Reversing the doors

Proceed in numerical order



6 Maintenance and cleaning

- ⚠ Never use gasoline, benzene or similar substances for cleaning purposes.
- ⚠ We recommend that you unplug the appliance before cleaning.
- ⚠ Never use any sharp abrasive instrument, soap, household cleaner, detergent and wax polish for cleaning.
- ℹ Use lukewarm water to clean the cabinet of your refrigerator and wipe it dry.
- ℹ Use a damp cloth wrung out in a solution of one teaspoon of bicarbonate of soda to one pint of water to clean the interior and wipe it dry.
- ⚠ Make sure that no water enters the lamp housing and other electrical items.
- ⚠ If your refrigerator is not going to be used for a long period of time, unplug the power cable, remove all food, clean it and leave the door ajar.
- ℹ Check door seals regularly to ensure they are clean and free from food particles.
- ⚠ To remove door racks, remove all the contents and then simply push the door rack upwards from the base.
- ⚠ Never use cleaning agents or water that contain chlorine to clean the outer surfaces and chromium coated parts of the product. Chlorine causes corrosion on such metal surfaces.

Avoiding bad odours

Materials that may cause odour are not used in the production of our refrigerators.

However, due to inappropriate food preserving conditions and not cleaning the inner surface of the refrigerator as required can bring forth the problem of odour. Pay attention to following to avoid this problem:

- Keeping the refrigerator clean is important. Food residuals, stains, etc. can cause odour. Therefore, clean the refrigerator with carbonate dissolved in water every 15 days. Never use detergents or soap.
- Keep the food in closed containers. Microorganisms spreading out from uncovered containers can cause unpleasant odours.
- Never keep the food that have expired best before dates and spoiled in the refrigerator.

Protection of plastic surfaces

- ℹ Do not put the liquid oils or oil-cooked meals in your refrigerator in unsealed containers as they damage the plastic surfaces of your refrigerator. In case of spilling or smearing oil on the plastic surfaces, clean and rinse the relevant part of the surface at once with warm water.

7 Troubleshooting

Please review this list before calling the service. It will save your time and money. This list includes frequent complaints that are not arising from defective workmanship or material usage. Some of the features described here may not exist in your product.

The refrigerator does not operate.

- The plug is not inserted into the socket correctly. >>>Insert the plug into the socket securely.
- The fuse of the socket which your refrigerator is connected to or the main fuse have blown out. >>>Check the fuse.

Condensation on the side wall of the fridge compartment (MULTIZONE, COOL CONTROL and FLEXI ZONE).

- Ambient is very cold. >>>Do not install the refrigerator in places where the temperature falls below 10°C.
- Door has been opened frequently. >>>Do not open and close the door of refrigerator frequently.
- Ambient is very humid. >>>Do not install your refrigerator into highly humid places.
- Food containing liquid is stored in open containers. >>>Do not store food with liquid content in open containers.
- Door of the refrigerator is left ajar. >>>Close the door of the refrigerator.
- Thermostat is set to a very cold level. >>>Set the thermostat to a suitable level.

Compressor is not running

- Protective thermic of the compressor will blow out during sudden power failures or plug-out plug-ins as the refrigerant pressure in the cooling system of the refrigerator has not been balanced yet. The refrigerator will start running approximately after 6 minutes. Please call the service if the refrigerator does not startup at the end of this period.
- The fridge is in defrost cycle. >>>This is normal for a full-automatically defrosting refrigerator. Defrosting cycle occurs periodically.
- The refrigerator is not plugged into the socket. >>>Make sure that the plug is fit into the socket.
- Temperature settings are not made correctly. >>>Select the suitable temperature value.
- There is a power outage. >>>Refrigerator returns to normal operation when the power restores.

The operation noise increases when the refrigerator is running.

- The operating performance of the refrigerator may change due to the changes in the ambient temperature. It is normal and not a fault.

The refrigerator is running frequently or for a long time.

- New product may be wider than the previous one. Larger refrigerators operate for a longer period of time.
- The room temperature may be high. >>>It is normal that the product operates for longer periods in hot ambient.
- The refrigerator might be plugged in recently or might be loaded with food. >>>When the refrigerator is plugged in or loaded with food recently, it will take longer for it to attain the set temperature. This is normal.
- Large amounts of hot food might be put in the refrigerator recently. >>>Do not put hot food into the refrigerator.
- Doors might be opened frequently or left ajar for a long time. >>>The warm air that has entered into the refrigerator causes the refrigerator to run for longer periods. Do not open the doors frequently.
- Freezer or fridge compartment door might be left ajar. >>>Check if the doors are closed completely.
- The refrigerator is adjusted to a very low temperature. >>>Adjust the refrigerator temperature to a warmer degree and wait until the temperature is achieved.
- Door seal of the fridge or freezer may be soiled, worn out, broken or not properly seated. >>>Clean or replace the seal. Damaged/broken seal causes the refrigerator to run for a longer period of time in order to maintain the current temperature.

Freezer temperature is very low while the fridge temperature is sufficient.

- The freezer temperature is adjusted to a very low value. >>>Adjust the freezer temperature to a warmer degree and check.

Fridge temperature is very low while the freezer temperature is sufficient.

- The fridge temperature is adjusted to a very low value. >>>Adjust the fridge temperature to a warmer degree and check.

Food kept in the fridge compartment drawers is frozen.

- The fridge temperature is adjusted to a very high value. >>>Adjust the fridge temperature to a lower value and check.

Temperature in the fridge or freezer is very high.

- The fridge temperature is adjusted to a very high value. >>>Fridge compartment temperature setting has an effect on the temperature of the freezer. Change the temperatures of the fridge or freezer and wait until the relevant compartments attain a sufficient temperature.
- Doors are opened frequently or left ajar for a long time. >>>Do not open the doors frequently.
- Door is ajar. >>>Close the door completely.
- The refrigerator is plugged in or loaded with food recently. >>>This is normal. When the refrigerator is plugged in or loaded with food recently, it will take longer for it to attain the set temperature.
- Large amounts of hot food might be put in the refrigerator recently. >>>Do not put hot food into the refrigerator.

Vibrations or noise.
<ul style="list-style-type: none"> • The floor is not level or stable. >>> If the refrigerator rocks when moved slowly, balance it by adjusting its feet. Also make sure that the floor is strong enough to carry the refrigerator, and level. • The items put onto the refrigerator may cause noise. >>>Remove the items on top of the refrigerator.
There are noises coming from the refrigerator like liquid flowing, spraying, etc.
<ul style="list-style-type: none"> • Liquid and gas flows occur in accordance with the operating principles of your refrigerator. It is normal and not a fault.
Whistle comes from the refrigerator.
<ul style="list-style-type: none"> • Fans are used in order to cool the refrigerator. It is normal and not a fault.
Condensation on the inner walls of refrigerator.
<ul style="list-style-type: none"> • Hot and humid weather increases icing and condensation. It is normal and not a fault. • Doors are opened frequently or left ajar for a long time. >>>Do not open the doors frequently. Close them if they are open. • Door is ajar. >>>Close the door completely.
Humidity occurs on the outside of the refrigerator or between the doors.
<ul style="list-style-type: none"> • There might be humidity in the air; this is quite normal in humid weather. When the humidity is less, condensation will disappear.
Bad odour inside the refrigerator.
<ul style="list-style-type: none"> • No regular cleaning is performed. >>>Clean the inside of the refrigerator regularly with a sponge, lukewarm water or carbonate dissolved in water. • Some containers or package materials may cause the smell. >>>Use a different container or different brand packaging material. • Food is put into the refrigerator in uncovered containers. >>>Keep the food in closed containers. Microorganisms spreading out from uncovered containers can cause unpleasant odours. • Remove the foods that have expired best before dates and spoiled from the refrigerator.
The door is not closing.
<ul style="list-style-type: none"> • Food packages are preventing the door from closing. >>>Replace the packages that are obstructing the door. • The refrigerator is not completely even on the floor. >>>Adjust the feet to balance the refrigerator. • The floor is not level or strong. >>>Make sure that the floor is level and capable to carry the refrigerator.
Crispers are stuck.
<ul style="list-style-type: none"> • The food is touching the ceiling of the drawer. >>>Rearrange food in the drawer.

Prosimo, da najprej preberete uporabniški priročnik!

Dragi kupec,
upamo, da bo naprava, ki je bila izdelana v modernih obratih in preizkušena z natančnimi postopki kakovosti, zagotovila učinkovito delovanje.




Zato pred uporabo naprave preberite celoten uporabniški priročnik in ga shranite kot referenco. Če napravo predate nekemu drugemu, zraven priložite še uporabniški priročnik.

Uporabniški priročnik bo pomagal pri hitri in varni uporabi naprave.

- Priročnik preberite preden napravo namestite in uporabite.
 - Preberite si tudi varnostna navodila.
 - Priročnik hranite na lahko dosegljivem mestu, saj ga boste morda kasneje potrebovali.
 - Poleg tega preberite tudi ostale dokumente, ki so priloženi napravi.
- Upoštevajte, da je uporabniški priročnik namenjen tudi številnim drugim modelom. Razlike med modeli bodo identificirane v priročniku.

Pomen simbolov

Uporabniški priročnik vsebujejo naslednje simbole:

-  Pomembne informacije in koristni nasveti.
-  Opozorila pred nevarnostmi za življenje in lastnino.
-  Opozorila pred električno napetostjo.



OPOZORILO!

Za normalno delovanje vaše zamrzovalne naprave, ki uporablja naravi prijazno hladilno sredstvo R600a (vnetljivo samo pod določenimi pogoji), je treba upoštevati naslednja pravila:

- ♦ Ne zadržujte prostega pretoka zraka okoli naprave.
- ♦ Za hitrejše odtajanje, ne uporabljajte mehanskih naprav, ki jih ni priporočil proizvajalec.
- ♦ Ne uničujte hladilnega kroženja.
- ♦ V prostoru za hrano ne uporabljajte električnih naprav, ki jih ni priporočil proizvajalec.

INFORMACIJE



SUPPLIER'S NAME

MODEL IDENTIFIER

(*)

A

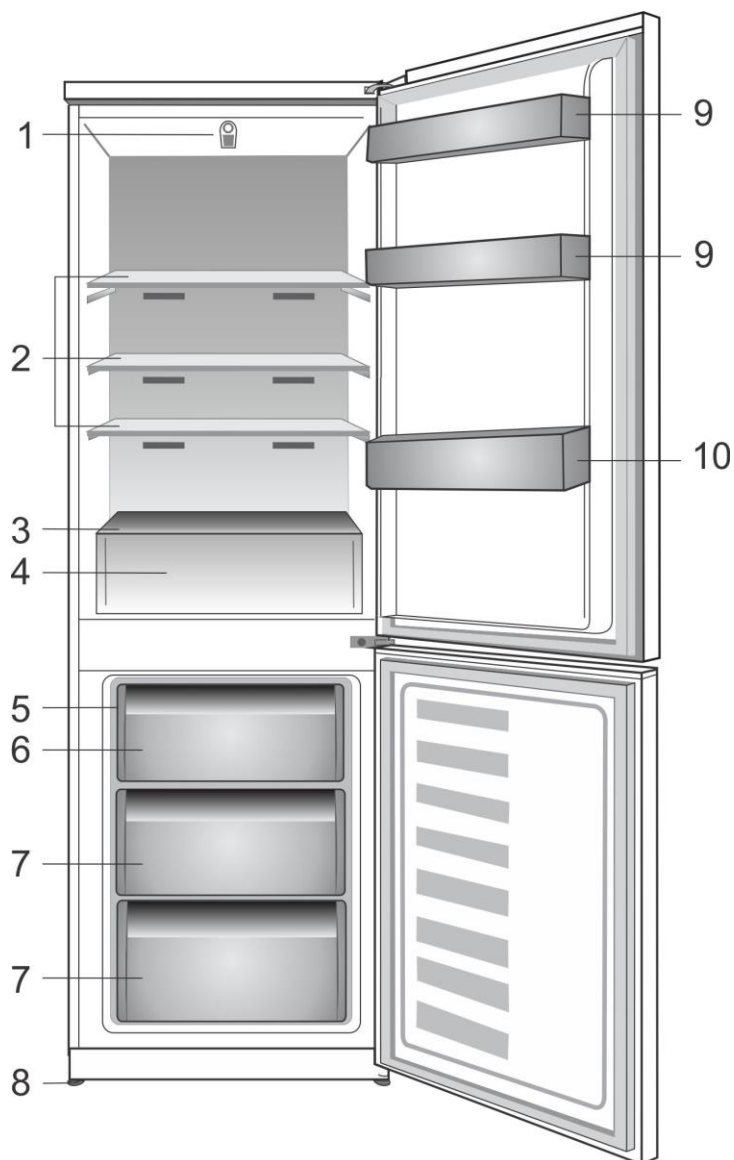
A

Do informacij o modelu, ki so shranjene v zbirki podatkov o izdelkih, lahko pridete tako, da obiščete naslednje spletno mesto in poiščete identifikator modela (*), ki je naveden na energijski nalepki.

<https://eprel.ec.europa.eu/>

1 Vaš hladilnik	3	4 Priprava	10
2 Pomembna varnostna opozorila	4	5 Uporaba hladilnika	11
Namen uporabe.....	4	Gumb za nastavitev termostata.....	11
Splošna varnost.....	4	Odtajanje.....	11
Za naprave z dispenzerjem za vodo.....	6	Zamrzovanje svežih živil.....	12
Varnost otrok.....	6	Priporočila za shranjevanje zamrznjenih živil.....	13
Skladnost z direktivo WEEE in odstranjevanjem odpadnih izdelkov.....	6	Priporočila za predel za sveža živila.....	13
Informacije o embalaži.....	7	Obračanje vrat.....	14
Opozorilo HCA.....	7	6 Vzdrževanje in čiščenje	15
Varčevanje z energijo.....	7	Izogibanje neprijetnim vonjavam.....	15
3 Namestitev	8	Zaščita plastičnih površin.....	15
Na kaj je treba biti pozoren pri premeščanju hladilnika.....	8	7 Odpravljanje težav	16
Preden zaženete hladilnik,.....	8		
Električna povezava.....	8		
Odstranjevanje embalaže.....	9		
Odstranjevanje starega hladilnika.....	9		
Namestitev in montaža.....	9		
Zamenjava žarnice.....	9		
Nastavitev nogic.....	9		

1 Vaš hladilnik



- | | |
|--|------------------------------|
| 1. Gumb za nastavitvev in notranja luč | 8. Nastavljive sprednje noge |
| 2. Nastavljive police omarice | 9. Polica za kozarce |
| 3. Stekljeni pokrov | 10. Polica za steklenice |
| 4. Predel za svežo solato | |
| 5. Pladenj in stojalo za led | |
| 6. Predel za hitro zamrzovanje | |
| 7. Predeli za shranjevanje zamrznjenih živil | |

i Slike v navodilih za uporabo so shematske in morda ne ustrezajo vašemu proizvodu. Če naprava, ki ste jo kupili, ne vsebuje določenih delov, so veljavni za druge modele.

2 Pomembna varnostna opozorila

Prosimo, preglejte naslednje informacije. Če ne boste upoštevali teh informacij, lahko pride do telesnih poškodb ali poškodb materiala.

V nasprotnem primeru garancija in zanesljivost nista veljavni.

Originalne nadomestne dele zagotavljamo 10 let od dneva nakupa izdelka.

Namen uporabe

Naprava je namenjena uporabi

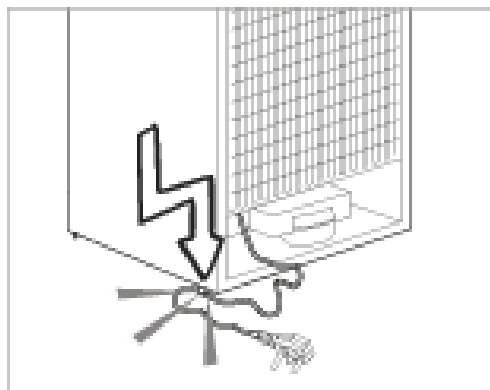
- znotraj in v zaprtih prostorih, kot so domovi;
- v zaprtih delovnih prostorih kot so trgovine ali pisarne;
- v zaprtih prostorih za nastanitev, kot so kmetije, hoteli, penzioni.
- Ne uporabljajte ga na prostem.

Splošna varnost

- Ko želite proizvod odstraniti/odvreči, Vam priporočamo, da se posvetujete s pooblaščen servisno službo in organi, da pridobite potrebne informacije.
- Pri morebitnih vprašanjih ali težavah s hladilnikom se posvetujte s pooblaščen servisno službo. Brez sporočila pooblaščen servisni službi ne posegajte v hladilnik sami ali s tujo pomočjo.
- Za naprave z zamrzovalnim delom: sladoleda in ledenih kock ne jejte takoj, ko jih vzamete iz zamrzovalnega dela! (Povzročijo lahko ozeblino v ustih.)

- Za naprave z zamrzovalnim delom: v zamrzovalnem delu ne shranjujte tekočin v steklenicah ali pločevinkah. Drugače lahko eksplodirajo.
- Zamrznjenih živil se ne dotikajte z rokami, saj lahko primrznejo.
- Pred čiščenjem ali odtajanjem hladilnik izključite iz električnega omrežja.
- Hladilnika nikoli ne čistite in odtajajte s paro ali parnimi čistilnimi sredstvi. Para lahko pride v stik z električnimi deli in povzroči kratki stik ali električni udar.
- Delov hladilnika kot so vrata nikoli ne uporabljajte kot opornike ali stopnico.
- V hladilniku ne uporabljajte električnih naprav.
- Delov, kjer hladilno sredstvo kroži, ne poškodujte z napravami za vrtanje ali rezanje. Če se plinski kanali izparilnika, podaljški cevi ali površinske prevleke prebodejo, lahko hladilno sredstvo prodre in povzroči draženje kože ali poškodbe oči.
- Ne pokrivajte ali blokirajte zračnih odprtih na hladilniku z nobenim materialom.
- Električne naprave lahko popravljajo samo pooblaščen osebe. Popravila, ki jih izvajajo nepooblaščen osebe, povzročijo nevarnost za uporabnika.

- V primeru kakršnekoli napake ali pred vzdrževalnimi deli in popravili obvezno izključite električno napajanje hladilnika tako, da izključite zadevno varovalko ali iztaknete vtič naprave.
- Ko izklopite vtič, ne vlecite za kabel.
- Koncentrirane alkoholne pijače hranite dobro zaprte in v pokončnem položaju.
- V hladilniku nikoli ne shranjujte razpršilcev, ki vsebujejo vnetljive in eksplozivne substance.
- Za pospeševanje postopka odtajanja ne uporabljajte mehanskih naprav ali drugih pripomočkov, razen tistih, ki jih priporoča proizvajalec.
- Naprave naj ne uporabljajo osebe s fizičnimi, senzornimi ali duševnimi motnjami ali osebe, ki nimajo potrebnega znanja oziroma izkušenj (vključno z otroki), razen če jih nadzira oseba, ki je odgovorna za njihovo varnost ali oseba, ki jim bo ustrezno svetovala glede uporabe naprave.
- Ne uporabljajte poškodovanega hladilnika. Če imate kakršne koli pomisleke, se obrnite na servisno službo.
- Električna varnost hladilnika je zagotovljena, le če ozemljitveni sistem v hiši ustreza standardom.
- Izpostavljanje proizvoda dežju, snegu, soncu ali vetru predstavlja električno nevarnost.
- Če je napetostni kabel poškodovan, se obrnite na pooblaščen servisno službo, da se izognete nevarnostim.
- Hladilnika med montažo nikoli ne vključite v vtičnico. V nasprotnem primeru obstaja nevarnost smrti ali resne poškodbe.
- Hladilnik je namenjen samo shranjevanju živil. Ne uporabljajte ga v druge namene.
- Etiketa s tehničnimi specifikacijami se nahaja na levi steni znotraj hladilnika.
- Hladilnika ne priključujte na sisteme varčevanja električne energije, saj ga lahko poškodujejo.
- Če je na hladilniku modra lučka, ne glejte vanjo skozi optične naprave.
- Pri hladilnikih z ročnim upravljanjem, počakajte vsaj 5 minut, preden ga po električnem izpadu ponovno priključite.
- Če napravo dobi nov lastnik, mu izročite tudi navodila za uporabo.
- Med prenašanjem hladilnika ne poškodujte napetostnega kabla. Upogibanje kabla lahko povzroči požar. Na napetostni kabel nikoli ne postavljajte težkih predmetov.
- Ko napravo priklapljate, se ne dotikajte vtiča z mokrimi rokami.



- Hladilnika ne priključujte v razrahljano vtičnico.
- Iz varnostnih razlogov na notranjih ali zunanjih delih naprave ne škropite vode.

- V bližini hladilnika ne pršite vnetljivih plinov, kot je propan, saj obstaja nevarnost požara ali eksplozije.
- Na hladilnik nikoli ne postavljajte posod z vodo, saj lahko to v primeru razlitja povzroči električni udar ali požar.
- Hladilnika ne preobremenite z živili. Če je naprava prenapolnjena, lahko živila med odpiranjem vrat hladilnika padejo dol in vas poškodujejo ali povzročijo škodo na hladilniku.
- Na hladilnik nikoli ne postavljajte predmetov, saj lahko med odpiranjem ali zapiranjem vrat hladilnika padejo dol.
- Cepiv, zdravil, občutljivih na toploto, znanstvenih materialov itd. ne shranjujte v hladilnik, saj zahtevajo določeno temperaturo.
- Če hladilnika ne boste uporabljali dlje časa, ga izklopite. Težave v napetostnem kablju namreč lahko povzročijo požar.
- Konico vtiča je treba redno čistiti s suho krpo, saj lahko v nasprotnem primeru povzroči požar.
- Če nastavljive noge niso dobro nameščene na tleh, se hladilnik lahko premika. Če nastavljive noge dobro namestite na tla, lahko preprečite premikanje hladilnika.
- Med prenašanjem hladilnika ne držite za ročaje na vratih. Saj jih lahko odtrgate.
- Če napravo namestite zraven drugega hladilnika ali zamrzovalnika, naj bo razdalja med napravami vsaj 8 cm. V nasprotnem primeru se lahko na sosednjih stenah naprav pojavi vlaga.

Za naprave z dispenzerjem za vodo;

Pritisk vodovodnega omrežja naj bo vsaj 1 bar. Pritisk vodovodnega omrežja naj bo največ 8 barov.

- Uporabljajte samo pitno vodo.


Varnost otrok

- Če imajo vrata ključavnico, jo hranite izven dosega otrok.
- Otroke je treba nadzirati, da se ne igrajo z napravo.

Skladnost z direktivo WEEE in odstranjevanjem odpadnih izdelkov

Če se na izdelku ali embalaži nahaja



simbol  , to pomeni, da z izdelkom ne smete ravnati tako kot z ostalimi gospodinjskimi odpadki. Napravo morate oddati na primernem zbirališču za recikliranje električnih in elektronskih naprav. Nepravilno odlaganje izdelka lahko pripelje do negativnih učinkov na okolje in zdravje ljudi, kar pa lahko preprečite s pravilnim odlaganjem vaše stare naprave. Za podrobne informacije o recikliranju tega izdelka se obrnite na lokalni mestni urad, komunalno službo ali trgovino, kjer ste izdelek kupili.

Informacije o embalaži

Embalažni material izdelka je izdelan iz materiala, ki ga je mogoče reciklirati, v skladu z našimi nacionalnimi okoljskimi predpisi. Embalažnega materiala ne odlagajte skupaj z gospodinjskimi ali drugimi odpadki. Odnosite ga na zbirna mesta za embalažni material, ki so jih določile lokalne oblasti.

Ne pozabite...

Vsak recikliran material je nujen vir za naravo in nacionalne vire.

Če želite prispevati k ponovnemu vrednotenju embalažnih materialov, se lahko obrnete na vaše okoljevarstvene organizacije ali občine, kjer se nahajate.

Opozorilo HCA

Če hladilni sistem naprave vsebuje R600a:

Ta plin je vnetljiv. Zato pazite, da med uporabo in transportom ne poškodujete hladilnega sistema in cevi. V primeru poškodbe, naj proizvod ne bo v bližini potencialnih virov ognja, ob katerih se lahko vname in prezračite prostor, v katerem je naprava.

Vrsta plina, ki ga vsebuje naprava, je navedena na tipski etiketi na levi steni znotraj hladilnika.

Naprave nikoli ne sežgite, da bi se je znebili.

Varčevanje z energijo

- Vrat hladilnika ne puščajte odprtih dalj časa.
- V hladilniku ne shranjujte toplih živil ali pijač.
- Hladilnika ne napolnite preobilno, saj s tem preprečite kroženje zraka.
- Hladilnika ne postavljajte na neposredno sočno svetlobo ali v bližino naprav, ki oddajajo toploto, kot so pečice, pomivalni stroji ali radiatorji. Izdelek morate namestiti vsaj 30 cm od virov toplote in vsaj 5 cm od električnih pečice.
- Živila shranjujte v zaprtih posodah.
- Če odstranite predale zamrzovalnega dela, lahko naložite največjo količino živil v zamrzovalni predel hladilnika. Navedena vrednost porabe energije hladilnika se je določila, ko so se odstranile predali zamrzovalnega dela. Uporaba police ali predala glede na oblike in velikost živil, ki jih želite shraniti, ne predstavlja nevarnosti.
- Odtajanje zamrznjenih živil v hladilnem delu, bo privarčevalo energijo in ohranilo kakovost živil.

i Temperatura prostora kjer boste namestili hladilnik naj bo vsaj -15 °C. Delovanje hladilnika v hladnejših pogojih ni priporočljivo.

i Notranjost hladilnika naj bo popolnoma čista.

3 Namestitev

⚠ Ob neupoštevanju informacij iz uporabniškega priročnika, proizvajalec ne sprejema odgovornosti.

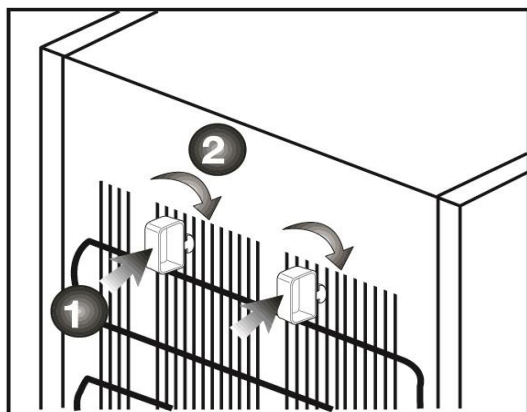
Na kaj je treba biti pozoren pri premeščanju hladilnika

1. Hladilnik naj bo izklopljen. Hladilnik pred transportom izpraznite in očistite.
2. Preden napravo znova spakirate, je treba police, pripomočke, predal za sveža živila itd. v hladilniku pritrditi z lepilnim trakom in zavarovati proti udarcem. Paket je treba zvezati z debelim trakom ali vrvmi ter strogo upoštevati pravila za transport, ki so navedena na embalaži.
3. Originalno embalažo in penasti material shranite za prihodnji prevoz ali premikanje.

Preden zaženete hladilnik,

Preden pričnete uporabljati hladilnik, preverite naslednje:

1. Pritrdite 2 plastična klina, kot je prikazano spodaj. Plastična klina zagotovita potrebno razdaljo, ki bo poskrbela za neovirano kroženje zraka med hladilnikom in steno. (Slika je samo za predstavo in ni identična vašemu izdelku.)



2. Notranjost hladilnika očistite kot je priporočeno v poglavju »Vzdrževanje in čiščenje«.

3. Priključite vtič hladilnika v vtičnico. Ko se vrata hladilnika odprejo, zasveti notranja luč hladilnika.

4. Ko kompresor prične delovati, boste zaslišali zvok. Tekočina in plini v hladilnem sistemu običajno lahko povzročijo hrup, tudi kadar kompresor ne deluje.

5. Sprednji robovi hladilnika so na dotik lahko topli. To je običajno. Te površine so oblikovane, tako da so tople, kar preprečuje kondenzacijo.

Električna povezava

Napravo priključite v ozemljeno vtičnico, ki je zaščitena z varovalko ustrezne zmogljivosti.

Pomembno:

Priključitev mora ustrezati nacionalnim predpisom.

- Napajalni vtič naj bo po namestitvi lahko dostopen.
- Električna varnost hladilnika je zagotovljena, le če ozemljitveni sistem v hiši ustreza standardom.
- Napetost vašega omrežja naj bi bila v skladu z napetostjo, ki je navedena na nalepki na levi notranji strani izdelka.
- **Za priključitev ne uporabljajte podaljševalnih kablov ali večpotnih vtičev.**

⚠ Poškodovan napajalni kabel lahko zamenja le usposobljen električar.

⚠ Naprave ne uporabljajte preden ni popravljena! Obstaja nevarnost električnega udara!

Odstranjevanje embalaže

Embalažni material je lahko nevaren za otroke. Embalažni material hranite izven dosega otrok ali ga odstranite v skladu z navodili za odstranjevanje odpadkov, ki jih določajo lokalne oblasti. Ne odstranjujte z običajnimi gospodinjskimi odpadki, temveč embalažo odstranite na mestih za pobiranje embalažnega materiala, ki so jih določile lokalne oblasti.

Embalaža hladilnika je izdelana iz materiala primerne za recikliranje.

Odstranjevanje starega Hladilnika

Stari hladilnik odstranite okolju prijazno.

- Glede odstranjevanja hladilnika se posvetujte s pooblaščenim prodajalcem ali centrom za zbiranje odpadkov v vaši občini.

Preden odstranite hladilnik, izklopite električni vtič in onemogočite morebitne ključavnice na vratih, da zaščitite otroke pred nevarnostmi.

Namestitev in montaža

⚠ Če vhodna vrata sobe, kjer boste namestili hladilnik niso dovolj široka, da bi hladilnik lahko spravili skozi, pokličite pooblaščen servisno službo, da bodo odstranili vrata hladilnika in ga bočno spravite skozi vrata.

1. Namestite hladilnik na mesto, ki bo omogočalo preprosto uporabo.
2. Hladilnik naj ne bo v bližini toplotnih virov, vlažnih prostorov ali neposredne sončne svetlobe.

3. Za učinkovito delovanje mora biti prostor okrog hladilnika ustrezno prezračen. Če bo hladilnik nameščen v vdolbino v steni, mora biti najmanj 5 cm razmika od stropa in najmanj 5 cm razmika od stene. Naprave na postavite na podlage kot je preproga.

4. Da bi preprečili tresenje, namestite hladilnik na ravno talno površino.

Zamenjava žarnice

Zamenjavo žarnice/lučke LED, ki se uporablja za osvetlitev hladilnika, naročite na pooblaščenem servisu.

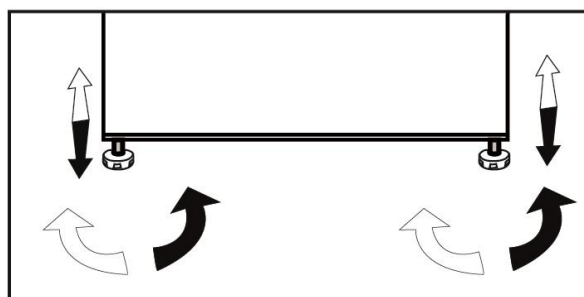
Lučka, uporabljena v tej napravi, ni primerna za razsvetljavo prostorov v gospodinjstvu. Namembnost te lučke je pomagati uporabniku, da lahko daje živila v hladilnik / zamrzovalnik na varen in udoben način.

Luči, uporabljene v tej napravi, morajo prenesti ekstremne fizične pogoje, kot so temperature pod -20°C .

Nastavitev nogic

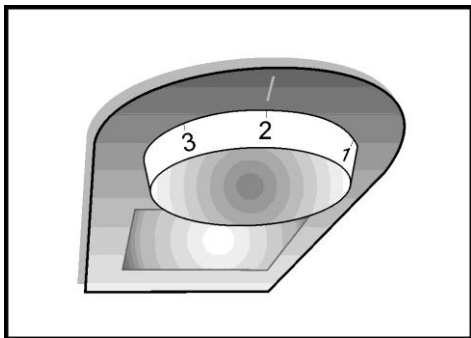
Če vaš hladilnik ni izravnani;

Hladilnik lahko izravnate tako, da sprednje noge zavrtite, kot kaže slika. Kot, kjer je noga, je spuščeni, če obrnete v smeri črne puščice in dvignjen, če obrnete v nasprotno smer. Olajšajte si delo in prosite za pomoč drugo osebo, ki naj rahlo privzdigne hladilnik.



4 Priprava

- Hladilnik morate namestiti vsaj 30 cm od virov toplote kot so kuhalne plošče, pečice, glavni grelci ali štedilniki in vsaj 5 cm od električnih pečic, prav tako ga ne postavljajte pod neposredno sončno svetlobo.
- Prepričajte se, da je notranjost hladilnika popolnoma čista.
- Če bosta dva hladilnika nameščena drug ob drugem, naj bo vmes vsaj 2 cm razmika.
- Pri prvi uporabi hladilnika upoštevajte naslednja navodila med prvimi šestimi urami delovanja.
- Izognite se pogostemu odpiranju vrat.
- Delovati mora prazen, brez živil.
- Hladilnika ne izklopite. Če se pojavi nenadzorovan izpad elektrike, upoštevajte opozorila v poglavju »Priporočljive rešitve za težave«.
- Ta naprava je oblikovana za delovanje v prostoru s temperaturo zraka do 43°C.



Gumb za nastavitev termostata

Notranja temperatura hladilnika se spremeni iz naslednjih razlogov:

- Sezonske temperature,
- pogosto odpiranje vrat in puščanje vrat odprtih za dlje časa,
- postavljajte živila v hladilnik preden se ohladijo na sobno temperaturo,
- mesto hladilnika v prostoru (npr. izpostavljenost sončni svetlobi).
- Notranjo temperaturo, ki se spreminja zaradi teh razlogov, lahko nastavite s termostatom. Številke okrog termostata označujejo hladilne stopinje.
- Če je temperatura okolja višja od 32°C, obrnite gumb termostata na najvišji položaj.
- Če je temperatura okolja nižja od 25°C, obrnite gumb termostata na najnižji položaj.

Odtajanje

A) Predel hladilnika

Hladilni del ima popolnoma samodejno odtajanje. Ko se hladilnik ohlaja, se na zadnji notranji steni hladilnika lahko pojavijo vodne kapljice ali plast ledu do 7-8 mm. To je običajno in je rezultat hladilnega sistema.

Zahvaljujoč samodejnemu sistemu odtajanja na zadnji steni, se nastali led odtaja s samodejnim odtajanjem v določenih intervalih. Uporabniku ni potrebno odstranjevati ledu ali vodnih kapljic. Voda, ki nastane pri odtajanju teče iz zbiralnega kanala vode preko odtočne cevi v izparilnik, kjer izhlapi. Redno preverjajte, če je odtočna cev zamašena, in jo po potrebi očistite z vbodom v odprtino. Predel za globoko zamrzovanje ne izvaja samodejnega odtajanja, saj bi se zamrznjena živila pokvarila.

B) Zamrzovalni predel

Zaradi posebne zbiralne kotanje, je odtajanje zelo enostavno in čisto. Napravo odtajajte dvakrat na leto ali ko se naredi plast ledu debeline 7 mm (1/4"). Preden začnete odtajati, izklopite napravo iz vtičnice in izvlecite vtič za napajanje. Vsa živila zavijte v več plasti časopisnega papirja in shranite v hladni prostor (npr. hladilnik ali jedilna shramba).

Odtajanje lahko pospešite s posodami s toplo vodo, ki jih previdno postavite v zamrzovalnik.

Za odstranjevanje ledu ne uporabljajte ostrih predmetov, kot so nož ali vilice. Za odtajanje ne uporabljajte sušilnikov za lase, električnih grelcev ali drugi električnih naprav.

Obrišite odtajano vodo, ki se je nabrala na spodnjem delu zamrzovalnega predela. Po odtajanju, notranjost temeljito posušite. Vstavite vtič v vtičnico in vklopite električno napajanje.

Zamrzovanje svežih živil

- Preden postavite živila v hladilnik jih zavijte ali pokrijte.
- Topla živila ohladite na sobno temperaturo preden jih postavite v hladilnik.
- Živila, ki jih želite zamrzniti, morajo biti sveža in kakovostna.
- Živila razdelite v količine glede na družinsko porabo na dan ali obrok.
- Živila zapakirajte nepredušno, da se ne izsušijo, čeprav bodo shranjena le za kratek čas.
- Materiali za pakiranje se ne smejo trgati, biti morajo odporni na mraz, vlago, vonj, olja in kisline ter nepredušni. Dobro jih zaprite, materiali pa morajo prav tako biti preprosti za uporabo in primerni za globoko zamrzovanje.
- Zamrznjena živila porabite nemudoma, ko se odtalijo ter jih nikoli ne zamrznite ponovno.
- Če želite ohraniti najboljše rezultate, upoštevajte naslednja navodila.
 1. Ne zamrzujte velike količine živil naenkrat. Kakovost živil se najbolje ohrani, če so globoko zamrznjena v čim krajšem času.
 2. Če v predel za zamrzovanje shranite topla živila, bo hladilni sistem deloval neprestano, dokler živila ne bodo popolnoma zamrznjena.
 3. Pazite, da ne zamešate že zamrznjenih in svežih živil.
- Topla živila in pijače ohladite na sobno temperaturo preden jih postavite v hladilnik.
- V napravo lahko shranite največjo količino živil, če ne uporabljate predalov in zgornjega pokrova police v zamrzovalnem delu. Navedena poraba energije vaše naprave se nanaša na popolnoma napolnjen zamrzovalni del brez predalov in zgornjega pokrova police.
- V primeru izpada električnega toka, ne odpirajte vrat zamrzovalnika. Če izpad električnega toka traja do "Časa povišanja temperature", navedenega v poglavju "Tehnične specifikacije hladilnika", ne bo vplival na zamrznjena živila. Če izpad traja dalj časa, živila preverite in po potrebi takoj porabite ali skuhajte in nato zamrznite.
- Ob nakupu živil bodite pozorni na rok trajanja, obdobje najdaljšega dovoljenega shranjevanja in priporočljive temperature za shranjevanje. Če je rok trajanja potekel, živil ne zaužijte.

Priporočila za shranjevanje zamrznjenih živil

Vnaprej pakirana zamrznjena živila iz trgovine shranite po navodilih proizvajalca zamrznjenih živil za predel za shranjevanje zamrznjenih živil *** ** *** (4 zvezdice).

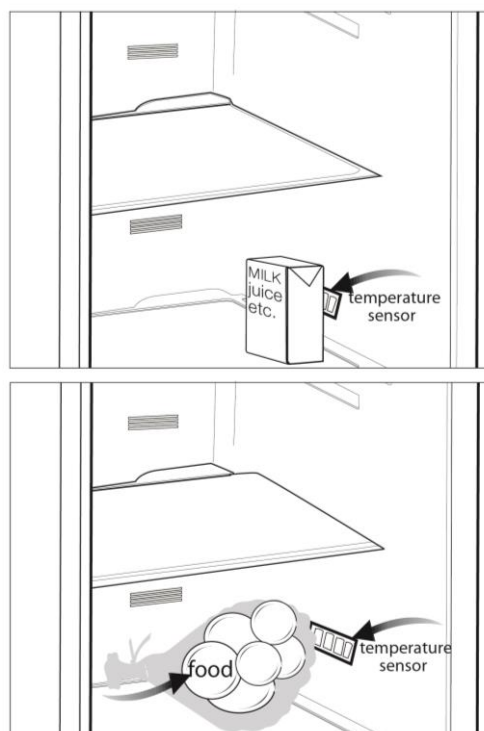
•Da bi ohranili visoko kakovost proizvajalca zamrznjenih živil in prodajalca živil, upoštevajte naslednje:

1. Po nakupu nemudoma postavite zavitke v zamrzovalnik.
2. Prepričajte se, da je vsebina označena in datirana.
3. Datumov »Uporabno do«, »Najbolje porabiti do« na etiki ne prekoračite.

Priporočila za predel za sveža živila

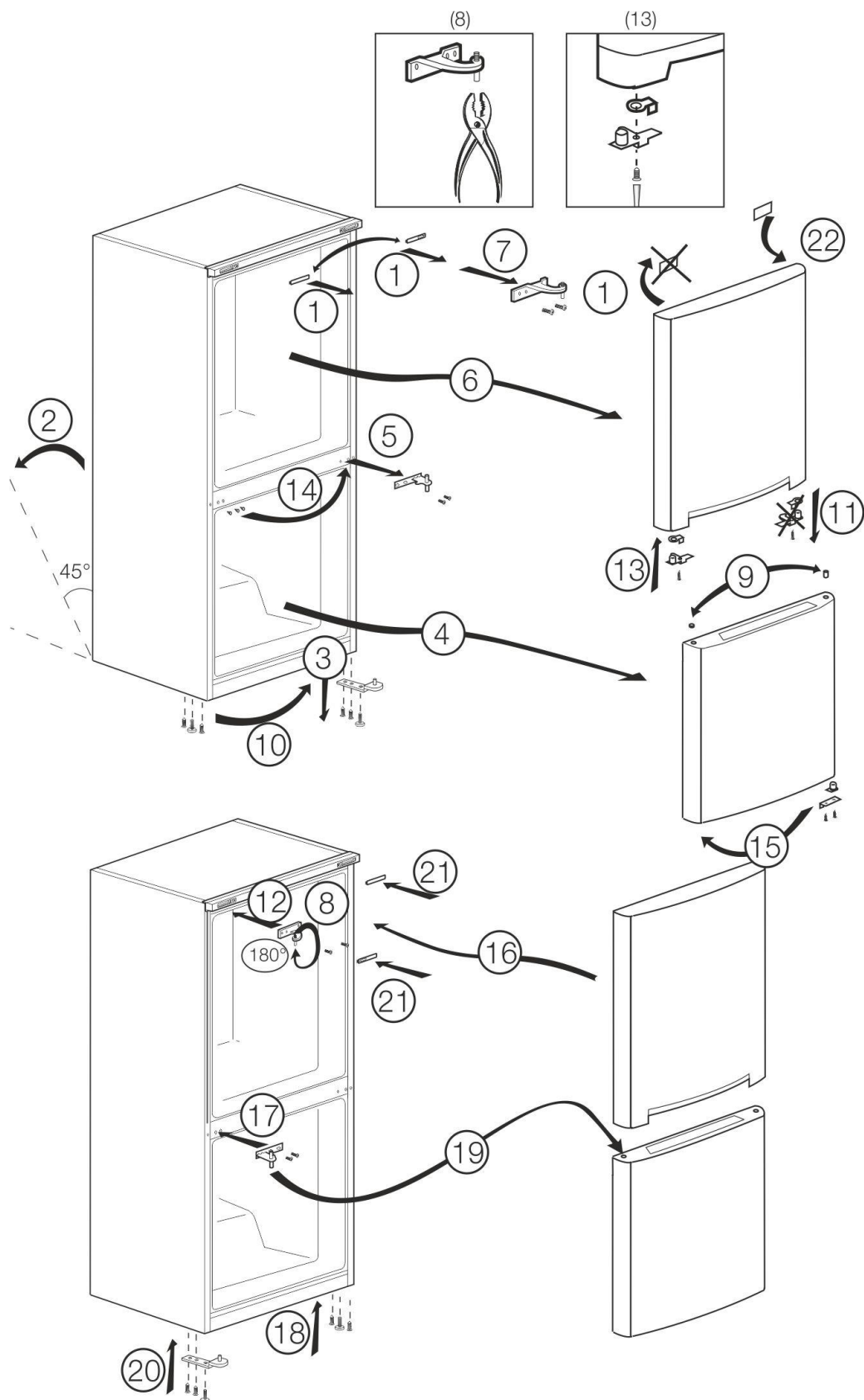
***izbirno**

- Preprečite, da bi živila prišla v stik s senzorjem za temperaturo v predelu za sveža živila. Da bi v predelu za sveža živila ohranili popolno temperaturo za shranjevanje, poskrbite, da senzorja ne bodo ovirala živila.
- V napravo ne nalagajte vročih živil.



Obračanje vrat

Sledite zaporedju



6 Vzdrževanje in čiščenje

- ⚠ Pri čiščenju nikoli ne uporabljajte bencina, benzena ali podobnih snovi.
- ⚠ Priporočamo, da napravo pred čiščenjem izključite iz električnega omrežja.
- ⚠ Za čiščenje ne uporabljajte ostrih abrazivnih predmetov, mila, gospodinjskih čistil, čistilnih sredstev in loščila.
- ℹ Omarico hladilnika očistite z mlačno vodo in jo do suhega obrišite.
- ℹ Za čiščenje notranjosti uporabite izžeto krpo, ki ste jo namočili v raztopino ene čajne žličke sode bikarbonata in pol litra vode ter nato do suhega obrišite.
- ⚠ Preprečite, da bi ohišje luči in ostali električni predmeti prišli v stik z vodo.
- ⚠ Če hladilnika dalj časa ne boste uporabljali, izključite električni kabel, odstranite vsa živila, ga očistite in pustite vrata priprta.
- ℹ Preverite, da so tesnila na vratih čista in ne vsebujejo delcev živil.
- ⚠ Če želite odstraniti vratne police, jih izpraznite in jih enostavno potisnite navzgor od podlage.
- ⚠ Za čiščenje zunanjih površin in kromiranih delov izdelka ne uporabljajte čistilnih sredstev ali klorirane vode. Klor povzroči korozijo na kovinskih površinah.

Izogibanje neprijetnim vonjavam

V proizvodnji hladilnikov ne uporabljamo materialov, ki povzročajo vonj.

Vendar pa nepravilno shranjevanje živil in pomanjkljivo čiščenje notranjosti hladilnika lahko povzroči neprijetne vonjave. Da se izognete težavam, bodite pozorni na naslednje točke:

- Hladilnik naj bo čist.
- Ostanki živil, madeži itd. lahko povzročijo neprijetne vonjave. Zato vsakih 15 dni čistite hladilnik s karbonatom, raztopljenim v vodi. Nikoli ne uporabljajte detergentov ali mila.
- Živila shranjujte v zaprtih posodah.
- Mikroorganizmi, ki prihajajo iz nepokritih posod, lahko povzročijo neprijetne vonjave.
- V hladilniku ne hranite pokvarjenih živil ali živil s pretečenim rokom.

Zaščita plastičnih površin

ℹ Tekočega olja ali na olju kuhanih jedi ne shranjujte v hladilniku v odprtih posodah, saj lahko poškodujejo plastične površine hladilnika. Če na plastičnih površinah razlijete olje ali jih umažete z oljem, jih očistite in splaknite s toplo vodo.

7 Odpravljanje težav

Prosimo, preglejte ta seznam preden pokličete servisno službo. Prihranilo vam bo čas in denar. Na seznamu so pogoste pritožbe, ki niso posledica pomanjkljive izdelave ali materiala. Nekatero izmed opisanih značilnosti, morda ne veljajo za vašo napravo.

Hladilnik ne deluje.
<ul style="list-style-type: none">• Vtič ni pravilno vključen v vtičnico. >>>Pravilno priključite vtič v vtičnico.• Ali je glavna varovalka ali pa varovalka vtičnice v katero je priključen hladilnik, pregorela? >>>Preverite varovalko.
Kondenzacija na stranski steni hladilnega dela (MULTIZONE, COOL CONTROL in FLEXI ZONE).
<ul style="list-style-type: none">• Prostor je zelo hladen. >>>Hladilnika ne nameščajte v prostor, v katerem temperatura pade pod 10°C.• Vrata so bila pogosto odprta. >>>Vrat hladilnika ne odpirajte in zapirajte prepogosto.• Prostor je zelo vlažen. >>>Hladilnika ne nameščajte v prostor z visoko vlažnostjo.• Živila, ki vsebujejo tekočino, so shranjena v odprtih posodah. >>>»Živil, ki vsebujejo tekočino, ne shranjujte v odprtih posodah.• Vrata hladilnika so priprta. >>>Zaprite vrata hladilnika.• Temperatura je nastavljen na zelo hladno stopnjo. >>>Termostat preklopite na ustrezno stopnjo.
Kompresor ne deluje
<ul style="list-style-type: none">• Termična zaščita kompresorja bo med nenadnimi izpadi električnega toka ali pri izključevanju-vključevanju pregorela, saj pritisk hladilnega sredstva v hladilnem sistemu še ni uravnotežen. Po približno 6 minutah se bo hladilnik zagnal. Če se hladilnik po tem času ne zažene, pokličite servisno službo.• Hladilnik se odtaja. >>>Za hladilnik s popolnoma samodejnim odtajanjem je to običajno. Odtajanje poteka v rednih presledkih.• Hladilnik ni vključen v vtičnico. >>>»Prepričajte se, da je vtič vstavljen v vtičnico.• Temperatura ni pravilno nastavljena. >>>»Izberite ustrezno vrednost temperature.• Pojavi se izpad elektrike. >>>»Ob vrnitvi elektrike se hladilnik povrne v normalno delovanje.
Med delovanjem hladilnika se hrup poveča.
<ul style="list-style-type: none">• Učinkovitost delovanja hladilnika se lahko spremeni glede na spremembe temperature prostora. To je običajno in ni napaka.

Delovanje hladilnika je pogosto ali traja dalj časa.

- Nova naprava je širša od prejšnje. Večji hladilniki delujejo dalj časa.
- Temperatura prostora je visoka. >>>Normalno je, da naprava v toplem prostoru deluje dlje časa.
- Hladilnik je bil pred kratkim priključen ali pa je bil prenapolnjen z živili.
>>>Če ste hladilnik šele pred kratkim priključili ali prenapolnili z živili, bo trajalo dlje časa, da doseže nastavljeno temperaturo. To je običajno.
- V hladilnik so bile nedavno postavljene večje količine toplih živil. >>>V hladilnik ne postavljajte toplih živil.
- Vrata ste pogosto odpirali ali jih pustili dalj časa priprte. >>>Topel zrak, ki je prišel v hladilnik, povzroča daljše delovanje hladilnika. Vrat ne odpirajte prepogosto.
- Vrata zamrzovalnega ali hladilnega dela so bila priprta. >>>Preverite, če so vrata dobro zaprta.
- Hladilnik je nastavljen na zelo nizko temperaturo. >>>Temperaturo hladilnika nastavite na toplejšo stopnjo in počakajte, da jo doseže.
- Tesnilo na vratih hladilnika ali zamrzovalnika je umazano, izrabljeno, zlomljeno ali nepravilno nameščeno. >>>Tesnilo očistite ali zamenjajte. Poškodovano/zlomljeno tesnilo povzroča, da hladilnik deluje dalj časa za vzdrževanje trenutne temperature.

Temperatura zamrzovalnika je zelo nizka, medtem ko je temperatura hladilnika ustrezna.

- Temperatura zamrzovalnika je nastavljena na zelo nizko vrednost. >>>Temperaturo zamrzovalnika nastavite na toplejšo stopnjo in preverite.

Temperatura hladilnika je zelo nizka, medtem ko je temperatura zamrzovalnika ustrezna.

- Temperatura hladilnika je nastavljena na zelo nizko vrednost. >>>Temperaturo hladilnika nastavite na toplejšo stopnjo in preverite.

Živila shranjena v predalih hladilnega dela so zamrznila.

- Temperatura hladilnika je nastavljena na zelo visoko vrednost. >>>Temperaturo hladilnika nastavite na nižjo stopnjo in preverite.

Temperature v hladilniku ali zamrzovalniku so zelo visoke.

- Temperatura hladilnika je nastavljen na zelo visoko stopnjo. >>>Temperatura hladilnega predela vpliva na temperaturo zamrzovalnika. Spremenite temperaturo hladilnika ali zamrzovalnika in počakajte, da želen predel doseže ustrezno temperaturo.
- Vrata pogosto odpirate ali jih puščate dalj časa priprte. >>>Vrat ne odpirajte prepogosto.
- Vrata so priprta. >>>Dobro zaprite vrata.
- Hladilnik je bil pred kratkim priključen ali prenapolnjen z živili. >>>To je običajno. Če ste hladilnik šele pred kratkim priključili ali prenapolnili z živili, bo trajalo dlje časa, da doseže nastavljeno temperaturo.
- V hladilnik so bile nedavno postavljene večje količine toplih živil. >>>V hladilnik ne postavljajte toplih živil.

Tresljaji ali hrup.
<ul style="list-style-type: none"> • Neravna ali nestabilna tla. >>> Če se hladilnik med počasnim premikanjem trese, ga izravnajte, tako da nastavite noge hladilnika. Prepričajte se tudi, da so tla ravna in dovolj močna podpora za hladilnik. • Predmeti, ki so postavljeni na hladilnik, lahko povzročijo hrup. >>>Odstranite predmete, ki so postavljeni na vrhu hladilnika.
Iz hladilnika se širi hrup podoben prelivanju tekočine, pršenju itd.
<ul style="list-style-type: none"> • Način delovanja hladilnika povzroča pretok tekočine in plinov. To je običajno in ni napaka.
Iz hladilnika se sliši žvižganje.
<ul style="list-style-type: none"> • Za ohladitev hladilnika se uporabljajo ventilatorji. To je običajno in ni napaka.
Kondenzacija na notranjih stenah hladilnika.
<ul style="list-style-type: none"> • Vroče in vlažno vreme poveča zaledenitev in kondenzacijo. To je običajno in ni napaka. • Vrata pogosto odpirate ali jih puščate dalj časa priprte. >>>Vrat ne odpirajte prepogosto. Zaprite jih, če so odprte. • Vrata so priprta. >>>Dobro zaprite vrata.
Na zunanji strani hladilnika ali med vrati se pojavi vlaga.
<ul style="list-style-type: none"> • Vlaga v zraku, kar je običajno pri vlažnem vremenu. Ko se vlaga zniža, bo kondenzacija izginila.
Neprijeten vonj v hladilniku.
<ul style="list-style-type: none"> • Naprave niste redno čistili. >>>Notranjost hladilnika očistite z gobo, mlačno ali gazirano vodo. • Vonj povzročajo nekatere posode ali materiali pakiranja. >>>Uporabite druge posode ali drugačno vrsto materialov pakiranja. • Živila so v hladilniku v nepokritih posodah. >>>Živila shranjujte v zaprtih posodah. Mikroorganizmi, ki prihajajo iz nepokritih posod, lahko povzročijo neprijetne vonjave. • Živila, ki jim je potekel datum uporabe ter pokvarjena živila odstranite iz hladilnika.
Vrata se ne zapirajo.
<ul style="list-style-type: none"> • Ovojnine živil preprečujejo zapiranje vrat. >>>Prestavite pakiranja, ki ovirajo vrata. • Hladilnik ne stoji ravno na tleh. >>>Noge hladilnika nastavite, da uravnate hladilnik. • Neravna ali šibka tla. >>>Prepričajte se, da so tla ravna in primerna podpora za hladilnik.
Predali so obtičali.
<ul style="list-style-type: none"> • Živila se dotikajo stropa predala. >>>Ponovno razporedite živila v predalu.

Prvo pročitajte ovaj korisnički priručnik!

Poštovani kupci,

Nadamo se da će vam naš proizvod, proizveden u suvremenim postrojenjima i provjeren po strogim procedurama kontrole kvalitete, pružiti učinkovit rad.

Svakako pažljivo pročitajte ovaj korisnički priručnik prije uporabe proizvoda te ga zadržite za buduće potrebe. Ako proizvod proslijedite nekom drugom, proslijedite mu i korisnički priručnik.

Korisnički priručnik pomoći će vam da se koristite svojim uređajem brzo i sigurno.

- Pročitajte priručnik prije postavljanja i rada s proizvodom.
- Svakako pročitajte sigurnosne upute.
- Čuvajte priručnik na lako dostupnom mjestu jer vam može kasnije zatrebati.
- Pročitajte ostale dokumente koje ste dobili s proizvodom.

Ne zaboravite da je ovaj korisnički priručnik primjenjiv i na nekoliko drugih modela. Razlike između modela navedene su u priručniku.

Objašnjenje simbola

U korisničkom priručniku upotrebljavaju se sljedeći simboli:

 Važni podaci ili korisni savjeti.

 Upozorenje na opasnost po život i imovinu.

 Upozorenje na električni napon.



UPOZORENJE!

Kako bi se osigurao normalan rad vašeg zamrzivača koji koristi kompletno ekološki prihvatljivo rashladno sredstvo R600a (zapaljivo samo pod određenim uvjetima), trebate se pridržavati sljedećih pravila:

- Ne ometati slobodnu cirkulaciju zraka oko zamrzivača.
- Ne koristiti mehanička sredstva za ubrzavanje odleđivanja, koja nije preporučio proizvođač.
- Paziti da se ne ošteti krug rashladnog sredstva.
- Unutar prostora zamrzivača za spremanje namirnica ne koristiti električne uređaje koje nije preporučio proizvođač.

PODACI



SUPPLIER'S NAME

MODEL IDENTIFIER

(*)

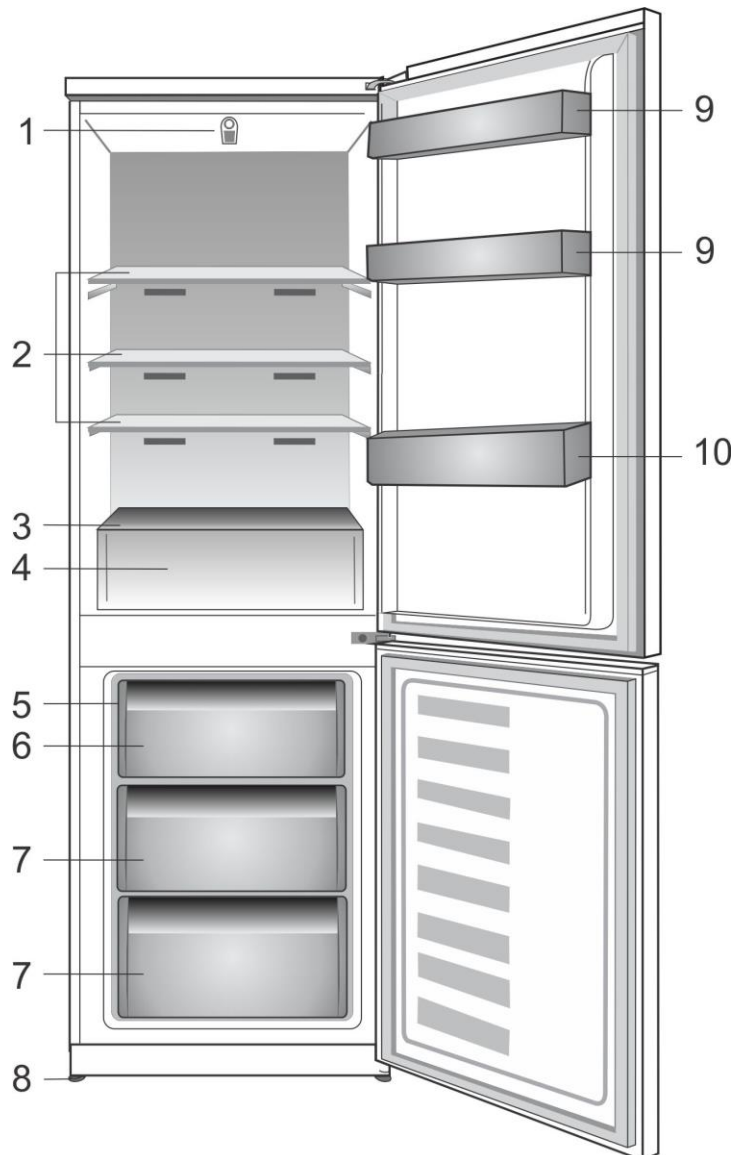
A

A

Podaci o modelu pohranjeni u bazi podataka o proizvodu mogu se dobiti unosom sledeće mrežne stranice i pretragom po identifikacionom broju vašeg modela (*) koji se nalazi na oznaci potrošnje električne energije.

<https://eprel.ec.europa.eu/>

1 Vaš hladnjak	3	4 Priprema	10
2 Važna sigurnosna upozorenja	4	5 Uporaba hladnjaka	11
Predviđena namjena	4	Termostat za kontrolu	11
Opća sigurnost	4	Odmrzavanje	11
Za proizvode s raspršivačem vode	6	Zamrzavanje svježe hrane	12
Sigurnost djece	6	Preporuke za čuvanje zamrznute hrane	13
Usklađenost s Uredbom o elektroničkoj opremi (WEEE) i zbrinjavanju otpada	6	Odmrzavanje	13
Podaci o pakiranju	7	Odjeljak s temperaturom od nula stupnjeva	13
HCA upozorenje	7	Prebacivanje vrata	14
Radnje za uštedu energije	7	6 Održavanje i čišćenje	15
3 Postavljanje	8	Zaštita plastičnih površina	15
Osjetljivi dijelovi tijekom premještanja hladnjaka	8	7 Otklanjanje kvara	16
Prije pokretanja hladnjaka	8		
Električni priključak	8		
Odlaganje pakiranja	9		
Odlaganje starog hladnjaka	9		
Smještanje i postavljanje	9		
Promjena lampice za osvjetljenje	9		
Podešavanje nožica	9		



1. Postavljanje tipke i unutarnjeg svjetla
2. Podesive police unutrašnjosti
3. Stakleni poklopac
4. Odjeljci za povrće
5. Držač posude za led i posuda za led
6. Odjeljak za brzo zamrzavanje
7. Odjeljci za čuvanje smrznute hrane
8. Podesive prednje nožice
9. Polica za staklenke
10. Polica za boce

i Slike koje se nalaze u ovom priručniku s uputama su shematske i možda ne odgovaraju vašem proizvodu u potpunosti. Ako dijelovi naslova nisu sadržani u proizvodu koji ste kupili, onda to vrijedi za ostale modele.

2 Važna sigurnosna upozorenja

Pročitajte sljedeće podatke. Nepridržavanje ovih informacija može uzrokovati ozljede ili materijalnu štetu. U suprotnom će sva upozorenja i obveze za pouzdanost postati nevaljane.

Vijek trajanja ovoga proizvoda jest 10 godina. Tijekom tog razdoblja originalni rezervni dijelovi bit će dostupni za ispravan rad proizvoda.

Predviđena namjena

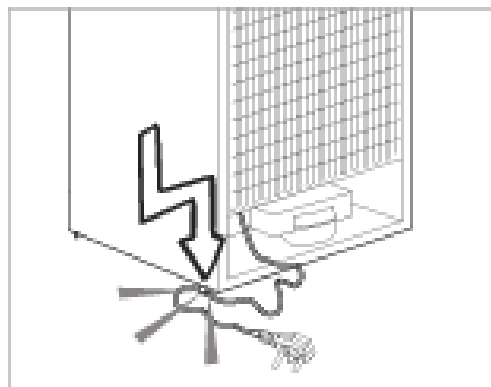
- Ovaj proizvod namijenjen je uporabi u zatvorenom prostoru poput kuće ili stana;
- u zatvorenim radnim prostorima poput trgovina i ureda;
- u zatvorenim prostorima za smještaj poput seoskih kuća, hotela i pansiona.
- Ne smije se upotrebljavati na otvorenom.

Opća sigurnost

- Kad poželite odložiti/riješiti se proizvoda, preporučujemo da se obratite ovlaštenom servisu kako biste saznali potrebne informacije o ovlaštenim tijelima za odlaganje takvog otpada.
- Obratite se ovlaštenom servisu za sva pitanja i probleme povezane s hladnjakom. Nemojte mijenjati ili dopustiti drugima da mijenjanju nešto na hladnjaku bez obavještavanja ovlaštenog servisa.
- Za proizvode s odjeljkom zamrzivača: sladoled i kockice leda nemojte jesti odmah nakon što ih izvadite iz odjeljka zamrzivača! (To može uzrokovati ozljede od hladnoće u vašim ustima.)

- Za proizvode s odjeljkom zamrzivača: nemojte stavljati tekućine u bocama i limenkama u odjeljak zamrzivača. U suprotnom može doći do pucanja.
- Ne dodirujte smrznutu hranu rukama jer se može zalijepiti za ruke.
- Isključite hladnjak prije čišćenja ili odmrzavanja.
- Para i raspršujuća sredstva za čišćenje nikada se ne smiju upotrebljavati u postupku čišćenja i odmrzavanja hladnjaka. U takvim slučajevima para može doći u dodir s električnim dijelovima i uzrokovati kratki spoj ili strujni udar.
- Nikada se nemojte koristiti dijelovima hladnjaka poput vrata za pridržavanje ili stajanje na njima.
- Nemojte se koristiti električnim uređajima unutar hladnjaka.
- Ne oštećujte dijelove u kojima cirkulira rashladno sredstvo alatima za bušenje ili rezanje. Rashladno sredstvo koje može eksplodirati kad se plinski kanali isparivača, produžeci cijevi ili površinski premazi probuše može uzrokuje iritaciju kože i ozljede oka.
- Ne pokrivajte ili blokirajte otvore za ventilaciju na hladnjaku bilo kakvim materijalom.
- Električne uređaje smiju popravljati samo ovlaštene osobe. Popravci koje izvrše nestručne osobe stvaraju opasnost za korisnika.

- U slučaju bilo kakvog kvara tijekom održavanja ili popravljivanja isključite hladnjak iz napajanja isključivanjem odgovarajućeg osigurača ili isključivanjem uređaja.
- Ne povlačite za kabel tijekom isključivanja utikača.
- Pića s visokim udjelom alkohola čvrsto zatvorite i postavite uspravno.
- Nikada ne spremajte limenke sa sprejevima koje sadrže zapaljive i eksplozivne tvari u hladnjak.
- Ne koristite se mehaničkim uređajima ili nečim drugim za ubrzavanje postupka odmrzavanja, nego isključivo one koje preporučuje proizvođač.
- Ovaj uređaj nije namijenjen uporabi za osobe čije fizičke, osjetilne ili mentalne sposobnosti nisu posve razvijene ili za neiskusne osobe (uključujući djecu), osim ako su pod nadzorom osobe odgovorne za njihovu sigurnosti ili osobe koja će ih uputiti u uporabu proizvoda.
- Ne uključujte oštećeni hladnjak. Obratite se serviseru ako imate bilo kakvih nedoumica.
- Za električnu sigurnost vašeg hladnjaka jamči se samo ako je uzemljenje u vašoj kući u skladu sa standardima.
- Izlaganje proizvoda kiši, snijegu, suncu i vjetru opasno je za električnu sigurnost.
- Obratite se ovlaštenom servisu kada dođe do oštećenja kabela za napajanje kako biste izbjegli opasnost.
- Nikada ne uključujte hladnjak u zidnu utičnicu tijekom postavljanja. Inače može doći do opasnosti po život ili ozbiljne ozljede.
- Hladnjak je isključivo namijenjen čuvanju hrane. Ne smije se upotrebljavati u ikoju drugu svrhu.
- Naljepnica s tehničkim podacima nalazi se na lijevoj stijenci unutrašnjosti hladnjaka.
- Nikada hladnjak ne povezujte sa sustavima za uštedu energije jer oni mogu oštetiti hladnjak.
- Ako na hladnjaku postoji plavo svjetlo, nemojte gledati u njega optičkim alatima.
- Za hladnjake kojima se upravlja ručno pričekajte najmanje pet minuta prije pokretanja hladnjaka nakon nestanka električne energije.
- Ako proizvod prosljeđujete drugoj osobi, trebate proslijediti i ovaj priručnik za rad s uređajem.
- Izbjegavajte oštećenje kabela napajanja tijekom prijevoza hladnjaka. Presavijanje kabela može uzrokovati požar. Nikada ne stavljajte teške predmete na kabel napajanja.
- Ne dodirujte utikač mokrim rukama tijekom uključivanja proizvoda.



- Ne uključujte hladnjak ako zidna utičnica nije dobro pričvršćena.
- Voda se ne smije raspršivati na unutarnje ili vanjske dijelove radi sigurnosnih razloga.

- Nemojte raspršivati tvari koje sadrže zapaljive plinove poput propana u blizini hladnjaka kako biste izbjegli opasnost od požara i eksplozije.
- Nikada na hladnjak nemojte stavljati posude s vodom jer njihovo prolijevanje može uzrokovati struni udar ili požar.
- Nemojte hladnjak prepuniti hranom. Ako se prepuni, hrana može pasti i ozlijediti vas te oštetiti hladnjak kad otvorite vrata.
- Nikada ne stavljajte predmete na hladnjak jer mogu pasti kad otvarate ili zatvarate vrata.
- Proizvodi poput cjepiva, lijekova osjetljivih na toplinu, znanstvenih materijala itd. ne smiju se čuvati u hladnjaku jer je za njih potrebna precizna temperatura.
- Isključite hladnjak ako se njime nećete koristiti duže vrijeme. Problem s kabelom za napajanje može uzrokovati požar.
- Vrh utikača treba se redovito čistiti suhom krpom. U suprotnom može doći do požara.
- Hladnjak se može micati ako podesive nožice nisu pravilno pričvršćene za pod. Pravilnim pričvršćivanjem podesivih nožica na podu možete spriječiti pomicanje hladnjaka.
- Tijekom nošenja hladnjaka nemojte ga držati za ručku vrata. U suprotnom može puknuti.
- Kad proizvod morate smjestiti uz drugi hladnjak ili zamrzivač, udaljenost treba iznositi najmanje 8 cm. U suprotnom susjedne bočne stijenke mogu postati vlažne.

Za proizvode s raspršivačem vode;


- Najniži tlak vode može iznositi 1 bar. Najveći tlak vode može iznositi 8 bara.
- Upotrebljavajte isključivo pitku vodu.

Sigurnost djece

- Ako vrata imaju bravu, ključ trebate držati izvan dosega djece.
- Djeca moraju biti pod nadzorom kako bi se spriječilo neovlašteno korištenje proizvodom.

Usklađenost s Uredbom o elektroničkoj opremi (WEEE) i zbrinjavanju otpada



Simbol  proizvodu ili pakiranju označava da se proizvodom ne smije rukovati kao kućnim otpadom. Umjesto toga, treba se predati u odgovarajućem centru za reciklažu električne i elektronske opreme. Osiguranjem pravilnog odlaganja ovog proizvoda, pomoći ćete u sprječavanju mogućih negativnih posljedica na okolinu i zdravlje ljudi, koji bi inače bili uzrokovani neodgovarajućim rukovanjem otpadom ovog proizvoda. Za detaljnije informacije o reciklaži ovog proizvoda, molimo javite se u ured lokalne samouprave, Vašu tvrtku za zbrinjavanje otpada ili trgovinu u kojoj ste kupili proizvod.

Podaci o pakiranju

Ambalažni materijali proizvoda proizvode se od materijala koji se mogu reciklirati u skladu s našim državnim propisima o zaštiti okoliša. Ne odlažite ambalažne materijale zajedno s otpadom iz kućanstva ili drugim otpadom. Odnosite ih u sabirne centre ambalažnog otpada koje su odredile lokalne vlasti.

Ne zaboravite...

Svaki predmet za recikliranje neophodan je za očuvanje prirode i državnog bogatstva.

Ako želite sudjelovati u ponovnom iskorištavanju ambalažnog materijala, možete se obratiti organizacijama za zaštitu okoliša ili lokalnoj upravi.

HCA upozorenje

Ako rashladni sustav vašeg uređaja sadrži R600a:

Ovaj je plin zapaljiv. Zato pazite da tijekom uporabe i transporta ne oštetite sustav za hlađenje i cijevi. U slučaju oštećenja, držite uređaj podalje od potencijalnog izvora plamena koji može dovesti do toga da uređaj zapali, te prozračujete sobu u kojoj se nalazi uređaj.

Vrsta plina koji se upotrebljava u proizvodu navedena je na naljepnici vrste uređaja koja se nalazi na lijevoj unutarnjoj stijenci hladnjaka.

Nikada nemojte odlagati ovaj proizvod zapaljivanjem.

Radnje za uštedu energije

- Ne ostavljajte vrata hladnjaka otvorenima na duže vrijeme.
- Ne stavljajte vruću hranu ili pića u hladnjak.
- Nemojte prepuniti hladnjak kako bi kruženje zraka u unutrašnjosti nesmetano teklo.
- Ne postavljajte hladnjak pod izravnu sunčevu svjetlost ili u blizinu uređaja koji isijavaju toplinu, poput pećnica, perilica suđa ili radijatora. Hladnjak držite na minimalnoj udaljenosti od 30 cm od izvora topline i na minimalnoj udaljenosti od 5 cm od električnih pećnica.
- Vodite računa o tome da hranu čuvate u zatvorenim posudama.
- Za uređaje s odjeljkom zamrzivača: možete spremati maksimalnu količinu hrane u zamrzivač kad uklonite policu ili ladicu zamrzivača. Vrijednost potrošnje energije koja je navedena za vaš hladnjak je određena tako da je uklonjena polica ili ladica škrinje i pod maksimalnim opterećenjem. Ne postoji opasnost od uporabe police ili ladice prema oblicima i veličinama hrane koje će se zamrznuti.
- Odmrzavanje smrznute hrane u odjeljku hladnjaka uštedit će energiju te sačuvati kvalitetu hrane.

3 Postavljanje

⚠ U slučaju da se podaci koji su navedeni u korisničkom priručniku ne uzmu u obzir, proizvođač neće biti odgovoran za moguće nezgode.

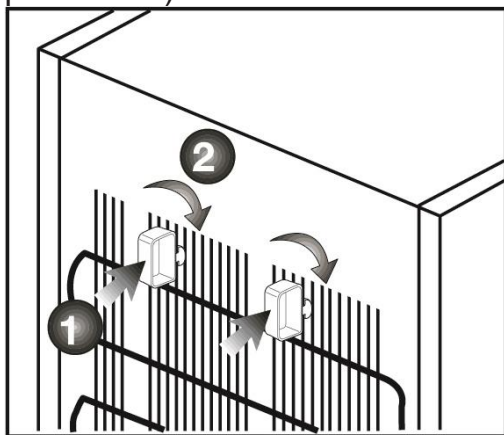
Osjetljivi dijelovi tijekom premještanja hladnjaka

1. Hladnjak treba biti isključen. Prije prijevoza hladnjaka, trebate ga isprazniti i očistiti.
2. Prije ponovnog pakiranja police, dodatke, odjeljke itd. unutar hladnjaka trebate pričvrstiti ljepljivom trakom i zaštititi od udara. Pakiranje se treba osigurati čvrstom trakom ili užetom i morate se strogo pridržavati pravila za prijevoz koja se nalaze na pakiranju.
3. Originalno pakiranje i materijali od pjene se trebaju čuvati zbog budućeg transporta ili selidbe.

Prije pokretanja hladnjaka,

Prije uporabe hladnjaka provjerite sljedeće:

1. Pričvrstite dva plastična klina na način prikazan u nastavku. Plastični klinovi upotrebljavaju se za stvaranje razmaka koji osigurava protok zraka između hladnjaka i zida. (Slika služi kao ilustrativan primjer i nije identična vašem proizvodu.)



2. Očistite unutrašnjost hladnjaka kako je preporučeno u dijelu "Čišćenje i održavanje".

3. Uključite utikač hladnjaka u zidnu utičnicu. Kad se otvore vrata hladnjaka, uključit će se unutrašnja lampica.

4. Čut će se zvuk kad kompresor započne s radom. Tekućine i plinovi zabrtvljeni u rashladnom sustavu također mogu stvarati buku, čak i kad kompresor ne radi i to je potpuno normalno.

5. Prednji krajevi hladnjaka mogu biti topli na opip. To je normalno. Ova područja su napravljena da budu topla da bi se se izbjegla kondenzacija.

Električni priključak

Povežite proizvod s uzemljenom utičnicom koju štiti osigurač odgovarajućeg kapaciteta.

Važno:

Priključak mora biti u skladu s državnim propisima.

- Kabel napajanja mora biti lako dostupan nakon postavljanja.
- Za električnu sigurnost vašeg hladnjaka jamči se samo ako je uzemljenje u vašoj kući u skladu sa standardima.
- Napon naveden na naljepnici koja se nalazi na lijevoj unutrašnjoj stijenci proizvoda treba odgovarati naponu vaše mreže.
- **Za povezivanje s električnom mrežom nemojte upotrebljavati produžne kablove i višestruke utičnice.**

⚠ Oštećeni kabel napajanja mora zamijeniti kvalificirani električar.

⚠ Proizvod ne smijete uključivati prije popravka! Postoji opasnost od električnog udara!

Odlaganje pakiranja

Ambalažni materijali mogu biti opasni za djecu. Ambalažne materijale držite izvan doseg djece ili ih odložite svrstavanjem u skladu s uputama za odlaganje vaše lokalne uprave. Ambalažu ne izbacujte s uobičajenim kućnim otpadom, nego na mjestu koja je lokalna uprava namijenila prikupljanju ambalažnog otpada.

Pakiranje vašeg proizvoda proizvedeno je od materijala koji se mogu reciklirati

Odlaganje starog hladnjaka

Odlaganje starog hladnjaka bez štete za okoliš.

- Možete se obratiti ovlaštenom dobavljaču ili centru za sakupljanje otpada u vašoj lokalnoj upravi radi odlaganja hladnjaka.

Prije odlaganja hladnjaka izrežite električni utikača i onesposobite brave na vratima, ako postoje, kako bi se djecu zaštitilo od opasnosti.

Smještanje i postavljanje

⚠ Ako ulazna vrata prostorije u koju ćete postaviti hladnjak nisu dovoljno široka za prolazak hladnjaka, nazovite ovlaštenu servis kako bi oni uklonili vrata hladnjaka i bočno ga unijeli kroz vrata.

1. Instalirajte vaš hladnjak na mjesto koje dopušta laku uporabu.
2. Držite vaš hladnjak podalje od izvora topline, vlažnih mjesta i direktne sunčeve svjetlosti.
3. Da bi se postigao učinkoviti rad, oko vašeg hladnjaka mora postojati odgovarajuća ventilacija. Ako se hladnjak treba postaviti u otvor u zidu, mora postojati udaljenost najmanje 5 cm od plafona i 5 cm od zida. Ne stavljajte uređaj na materijale kao što su tepisi ili tepisoni.
4. Stavite svoj hladnjak na ravnu površinu poda da biste spriječili udarce.

Promjena lampice za osvjetljenje

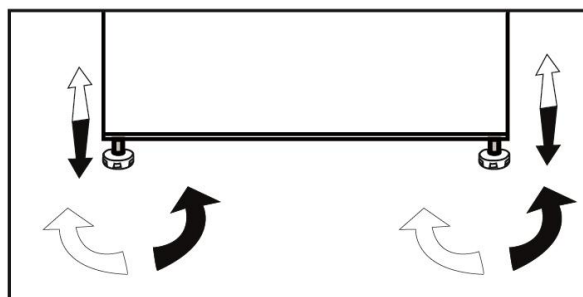
Kako biste zamijenili žarulju/LED-lampicu za osvjetljenje hladnjaka, nazovite ovlaštenu servis.

Lampa koja se koristi u ovom uređaju nije podesna za uporabu za osvjetljenje doma. Predviđena namjena ove lampe je da pomogne korisniku da stavi hranu u hladnjak/škrinju na siguran i ugodan način.

Svjetiljke ovog uređaja moraju podnijeti ekstremne uvjete poput temperatura nižih od -20°C.

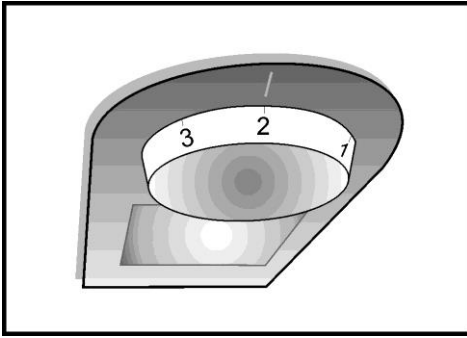
Podešavanje nožica

Ako vaš hladnjak stoji neravno; Hladnjak možete uravnotežiti okretanjem prednjih nožica na način prikazan na slici. kut gdje se nalaze noge je spušten kad okrenete u smjeru crne strelice a diže se kad okrenete u suprotnom smjeru. Ovaj postupak će biti lakši ako nekoga zamolite da malo podigne hladnjak.



4 Priprema

- Hladnjak trebate postaviti na najmanju udaljenost od 30 cm od izvora topline poput plamenika, pećnica, grijalica i štednjake te na najmanju udaljenost od 5 cm od električni pećnica. Ne smijete ga stavljati pod izravnu sunčevu svjetlost.
- Sobna temperatura u prostoriji gdje ćete postaviti hladnjak treba iznositi najmanje 10 °C. Kako biste očuvali njegovu učinkovitost, nemojte hladnjak držati u hladnijim uvjetima.
- Vodite računa o temeljitom čišćenju unutrašnjosti hladnjaka.
- Ako ćete postaviti dva hladnjaka jednog uz drugoga, između njih treba postojati razmak od najmanje 2 cm.
- Kad prvi put uključite hladnjak, držite se sljedećih uputa tijekom prvih šest sati.
- Vrata nemojte često otvarati.
- Hladnjak mora biti prazan, bez ikakve hrane.
- Ne isključujte hladnjak. Ako dođe do nestanka električne energije na koji ne možete utjecati, pročitajte upozorenja u dijelu „Preporučena rješenja problema”.
- Originalna ambalaža i materijali od pjene trebaju se čuvati zbog prijevoza ili selidbe u budućnosti.



Termostat za kontrolu

Radne temperature se kontroliraju tipkom za postavke koji se nalaze na stropu odjeljka hladnjaka. Postavke se mogu staviti s min, 1, ... 5, max, s tim da je max najhladniji položaj.

Kad se uređaj prvi put uključi, termostat se treba prilagoditi tako da nakon 24 sata prosječna temperatura hladnjaka nije viša od +5°C. Preporučujemo postavljanje termostata na pola između minimalne i maksimalne postavke i nadzora da biste dobili željenu temperaturu, tj. prema maksimumu, dobit ćete nižu temperaturu i obrnuto. Deki dijelovi hladnjaka ili zamrzivača mogu biti hladniji ili topliji (kao odjeljak za salatu i povrće i vrh kućišta), što je sasvim normalno.

Preporučamo provjeru temperature pomoću točnog termometra da bi se osiguralo da su odjeljci za čuvanje hrane postavljeni na željenu temperaturu. Obavezno odmah očitajte jer će temperatura termometra brzo porasti kad ga izvadite iz hladnjaka.

Imajte na umu da svaki put kad otvorite vrata, hladan zrak izađe a unutarnja temperatura se povećava. Zato nikada ne ostavljajte vrata otvorena i pazite da ih zatvorite odmah čim se hrana stavi ili izvadi.

Odmrzavanje

A) Odjeljak hladnjaka

Odjeljak hladnjaka obavlja potpuno automatsko odmrzavanje. Dok se vaš hladnjak hladi, na stražnjoj stijenci odjeljka hladnjaka se mogu pojaviti kapi vode i led do 7-8 mm. Takve nakupine su normalne zbog sustava za hlađenje. Nakupine leda se odmrzavaju obavljanjem automatskog odmrzavanja s određenim intervalima zahvaljujući sustavu za automatsko odmrzavanje na stražnjoj stijenci. Korisnik ne mora strugati led ili uklanjati kapljice vode. Voda koja nastaje od otapanja prolazi iz žlijeba za nakupljanje vode i teče u isparivač kroz cijev za odlijevanje i tu sama isparava.

Redovito provjeravajte da biste vidjeli je li cijev za odljev začepljena i po potrebi je očistite štapom u rupi. Odjeljak za duboko zamrzavanje ne obavlja automatsko odmrzavanje da bi se spriječilo propadanje zamrznute hrane.

B) Odjeljak za zamrzavanje

Odmrzavanje je vrlo jednostavno i uredno, zahvaljujući posebnoj posudi za skupljanje odmrznutog.

Odmrzavajte dva puta godišnje kad se skupi sloj leda od otprilike 7 mm (1/4"). Da biste započeli s postupkom odleđivanja, isključite uređaj iz utičnice i povucite utikač van.

Svu hranu treba zamotati u nekoliko slojeva novinskog papira i staviti na hladno mjesto, (npr.) hladnjak ili ostavu. Spremnike s toplom vodom možete pažljivo staviti u škrinju da biste ubrzali odmrzavanje.

Ne koristite oštre predmete kao što su noževi ili vilice da biste uklonili led.

Nikada ne koristite fen, električne grijalice ili slične električne aparate za odmrzavanje.

Spužvom uklonite odmrznutu vodu sakupljenu na dnu odjeljak za zamrzavanje. Nakon odmrzavanja, dobro osušite unutrašnjost. Umetnite utikač u utičnicu i uključite dovod električne energije.

Zamrzavanje svježe hrane

- Omotajte ili prekrijte hranu prije stavljanja u hladnjak.
- Vruća hrana mora se ohladiti na sobnu temperaturu prije stavljanja u hladnjak.
- Hrana koju želite zamrznuti mora biti svježija i dobre kvalitete.
- Hrana se može podijeliti u porcije prema obiteljskim dnevnim ili obročnim potrebama.
- Pakirajte hranu vakumirano da bi se spriječilo sušenje čak i ako će se čuvati kratko vrijeme.
- Materijali kojima se koristite za pakiranje moraju biti otporni na hladnoću i vlagu te ne smiju propuštati zrak. Materijal pakiranja za hranu mora biti dovoljno čvrst i otporan. U suprotnom hrana može postati tvrda te probušiti pakiranje zbog zamrzavanja. Važno je dobro zatvoriti pakiranje kako bi se hrana sigurno spremila.
- Smrznutom se hranom koristite odmah nakon odmrzavanja i ne smije se ponovno zamrzavati.
- Stavljanje tople hrane u odjeljak zamrzivača uzrokuje stalan rada sustava za hlađenje dok se hrana u potpunosti ne smrzne.

- Pridržavajte se sljedećih uputa za najbolje rezultate.

1. Nemojte zamrzavati prevelike količine istodobno. Kvaliteta hrane se najbolje čuva ako se zamrzava što je brže moguće.

2. Posebno pazite da ne miješate već zamrznutu i svježju hranu.

3. Vodite računa o tome da sirova hrane ne dodiruje skuhanu hranu u hladnjaku.

- Vruća hrana i pića moraju se ohladiti na sobnu temperaturu prije stavljanja u hladnjak.

- Maksimalni volumen smrznute hrane postiže se bez uporabe poklopca za ladice i gornju policu koji se nalazi u odjeljku za zamrzavanje. Potrošnja energije vašeg uređaja navedena je kad je odjeljak za zamrzavanje napunjen do kraja bez uporabe poklopca ladica i gornje police.

- Ukoliko dođe do nestanka struje, ne otvarajte vrata škrinje. Čak i ako nestanak struje traje do "Vremena povećanja temperature" naznačenom u dijelu "Tehničke specifikacije vašeg hladnjaka", to neće utjecati na smrznutu hranu. U slučaju da kvar traje dulje, hrana se mora provjeriti i po potrebi se mora konzumirati odmah ili se zamrznuti nakon kuhanja.

- Prilikom kupnje pazite na rok upotrebe, najdulje dozvoljeno vrijeme pohrane i preporučenu temperaturu pohrane namirnica. Ako je prošao rok upotrebe, nemojte konzumirati hranu.

Preporuke za čuvanje zamrznute hrane

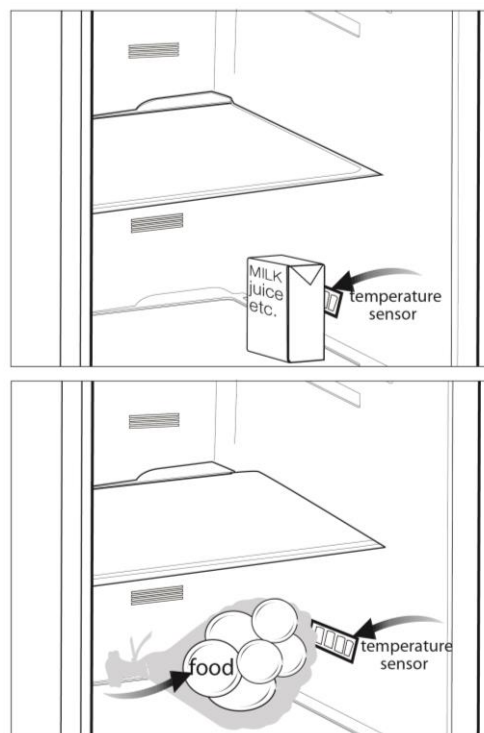
- Zapakirana smrznuta hrana treba biti spremljena u skladu s uputama proizvođača, u odjeljku za pohranu smrznute hrane.
- Kako biste osigurali održavanje visoke kvalitete proizvođača smrznute hrane i trgovca, imajte na umu sljedeće:
 1. Pakiranja stavite u zamrzivač što prije nakon kupnje.
 2. Provjerite je li sadržaj pakiranja označen i je li naveden datum.
 3. Ne prelazite datume "Koristiti do", "Rok uporabe" na pakovanju.

Odjeljak s temperaturom od nula stupnjeva

***neobavezno**

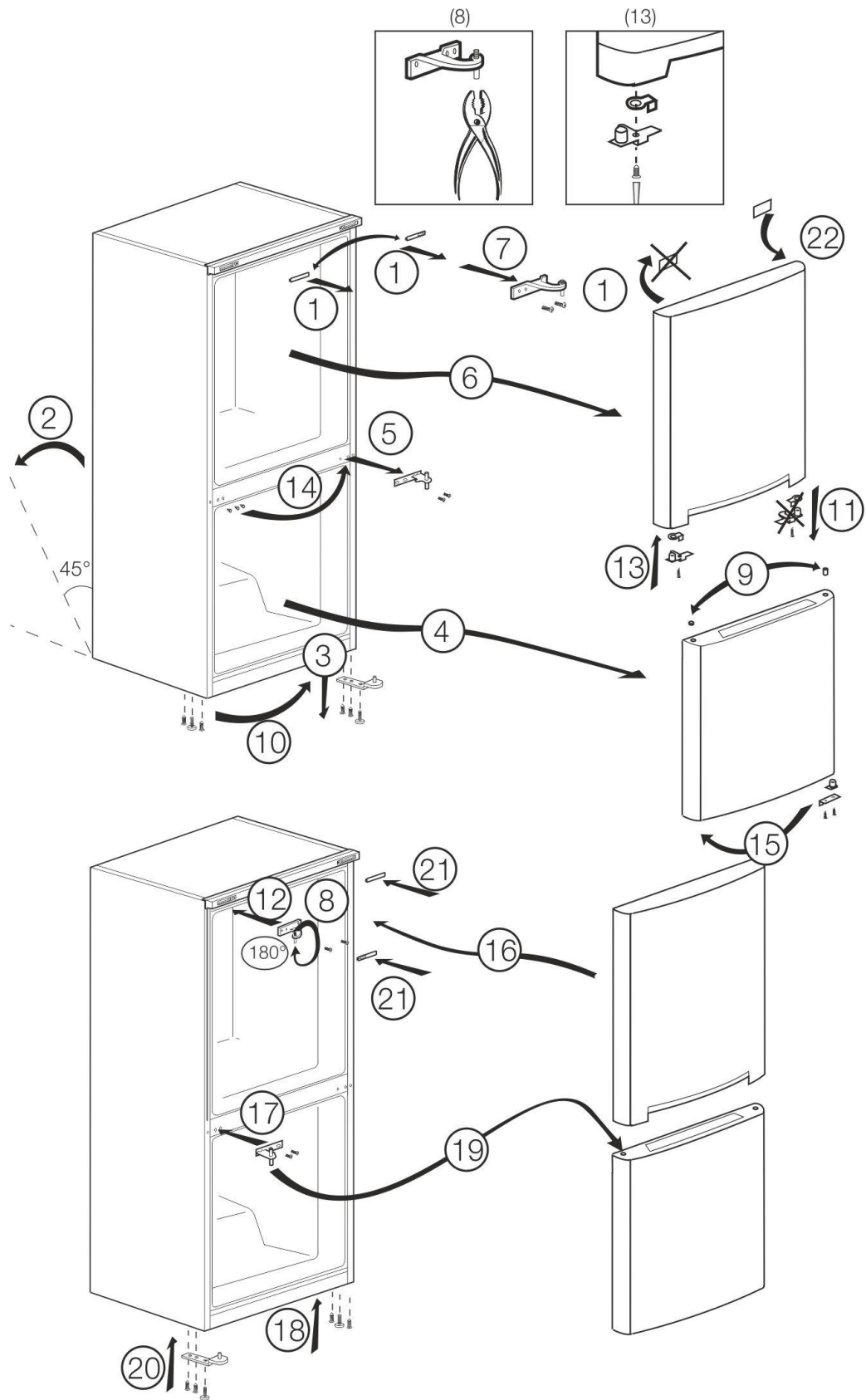
Upotrebljavajte ovaj odjeljak za čuvanje delikatesa na niskim temperaturama ili za mesne proizvode koji se odmah konzumiraju.

Najhladniji je odjeljak s temperaturom od nula stupnjeva i u njemu su idealni uvjeti za spremanje hrane poput mliječnih proizvoda, mesa, ribe i piletine. Povrće i voće ne biste trebali spremati u ovaj odjeljak.



Prebacivanje vrata

Nastavite u brojčanom redoslijedu



- ⚠ Nikada sa čišćenje nemojte upotrebljavati benzin, benzen ili slične tvari.
- ⚠ Preporučujemo da prije čišćenja isključite uređaj.
- ⚠ Za čišćenje nikada ne upotrebljavajte oštre predmete, sapun, univerzalna sredstva za čišćenje, deterdžent ili vosak za poliranje.
- ℹ Za čišćenje kućišta hladnjaka koristite se mlakom vodom i dobro obrišite hladnjak.
- ℹ Koristite se ocijeđenom vlažnom krpom u otopini jedne žličice sode bikarbone s pola litre vode kako biste očistili unutrašnjost i obrisali suhom krpom.
- ⚠ Vodite računa o tome da voda ne uđe kućište lampice i druge električne dijelove.
- ⚠ Ako se hladnjakom nećete koristiti duže vrijeme, isključite kabel za napajanje, izvadite svu hranu, očistite ga i ostavite vrata otvorena.
- ℹ Redovito provjeravajte brtve na vratima kako biste bili sigurni da su čiste i da na njima nema hrane.
- ⚠ Da biste uklonili police iz vrata, izvadite sav sadržaj i zatim police pogurajte prema gore.
- ⚠ Za čišćenje vanjskih površina ili kromiranih dijelova proizvoda nikada ne upotrebljavajte sredstva za čišćenje ili vodu koji sadrže klor. Klor uzrokuje koroziju na takvim metalnim površinama.

Sprječavanje neugodnih mirisa

Materijali koji mogu uzrokovati neugodne mirise ne upotrebljavaju se u proizvodnji naših hladnjaka.

Međutim, zbog neodgovarajućih uvjeta čuvanja hrane i nedostatka čišćenja unutarnje površine hladnjaka prema potrebi, može doći do problema neugodnih mirisa. Kako biste izbjegli ovaj problem, obratite pozornost na sljedeće:

- Važno je održavati hladnjaka čistim. Ostaci hrane, mrlje i sl. mogu uzrokovati neugodne mirise. Stoga čistite hladnjak karbonatom otopljenim u vodi svakih 15 dana. Nikada ne upotrebljavajte deterdžente ili sapun.
- Držite hranu u zatvorenim posudama. Mikroorganizmi koji se šire iz nepokrivenih posuda mogu uzrokovati neugodne mirise.
- U hladnjaku nikada nemojte čuvati hranu kojoj je istekao rok trajanja i koja se pokvarila.

Zaštita plastičnih površina

- ℹ Ne stavljate tekuće ulje ili obroku kuhane s uljem u hladnjak bez zatvorenih posuda jer mogu oštetiti plastične površine vašeg hladnjaka. U slučaju prolijevanja ili razmazivanja ulja na plastičnim površinama, odmah očistite i isperite odgovarajuće dijelove površine toplom vodom.

7 Otklanjanje kvara

Pregledajte popis prije pozivanja servisa. To vam može uštedjeti vrijeme i novac. Popis sadrži česte reklamacije koje nisu posljedica oštećenja u proizvodnji ili upotrebe materijala. Neke od opisanih značajki možda ne postoje na vašem proizvodu.

Hladnjak ne radi.

- Utikač nije pravilno stavljen u utičnicu. >>>Čvrsto umetnite utikač u utičnicu.
- Pregorio je osigurač utičnice na koju je hladnjak priključen ili je pregorio glavni osigurač. >>>Provjerite osigurač.

Kondenzacija na stjenkama odjeljka hladnjaka (MULTIZONA, KONTROLA HLADENJA i FLEKSI ZONA).

- Okolina je vrlo hladna. >>>Hladnjak ne postavljajte na mjesta gdje temperatura pada ispod 10°C.
- Često ste otvarali vrata. >>>Nemojte često otvarati i zatvarati vrata hladnjaka.
- Okolina je vrlo vlažna. >>>Hladnjak ne postavljajte na mjesta s velikom vlagom.
- Hrana koja sadrži tekućinu sprema se u otvorenim posudama. >>>Nemojte spremati hranu s tekućim sadržajem u otvorenim posudama.
- Vrata hladnjaka ostala su odškrinuta. >>>Zatvorite vrata hladnjaka.
- Termostat je postavljen na vrlo hladnu razinu. >>>Postavite termostat na odgovarajuću razinu.

Kompresor ne radi

- Zaštitni termički dio kompresora pregorjet će tijekom naglih nestanaka struje ili isključivanja priključaka jer tlak rashladnog sredstva u sustavu za hlađenje hladnjaka još uvijek nije uravnotežen. Hladnjak će početi s radom nakon otprilike 6 minuta. Molimo nazovite servis ako se vaš hladnjak ne uključi na kraju ovog razdoblja.
- Hladnjak je u ciklusu odmrzavanja. >>>To je uobičajeno za hladnjak s potpunim automatskim odmrzavanjem. Ciklus za odmrzavanje odvija se periodično.
- Hladnjak nije uključen u utičnicu. >>>Provjerite je li utikač pravilno postavljen u utičnicu.
- Postavke temperature nisu pravilno postavljene. >>>Odaberite odgovarajuću vrijednost temperature.
- Došlo je do nestanka struje. >>>Hladnjak počinje s uobičajenim radom kad se vrati napajanje.

Buka tijekom rada povećava se kada hladnjak radi.

- Radne performanse hladnjaka mogu se promijeniti ovisno o promjenama sobne temperature. To je normalno i ne predstavlja kvar.

Hladnjak radi često ili dugotrajno.

- Novi proizvod možda je širi od prethodnog. Veći hladnjaci rade dulje.
- Sobna je temperatura možda visoka. >>>Normalno je da uređaj radi dulje vrijeme u toploj okolini.
- Hladnjak je možda nedavno uključen ili napunjen hranom.
>>>Kada je hladnjak nedavno uključen ili je u njega stavljena hrana, trebat će više vremena da postigne postavljenu temperaturu. To je normalno.
- Možda su nedavno u hladnjak stavljene velike količine vruće hrane. >>>Ne stavljajte vruću hranu u hladnjak.
- Vrata se možda često otvaraju ili ostavljaju odškrinuta. >>>Topli zrak koji je ušao u hladnjak uzrokuje duža razdoblja rada. Nemojte često otvarati vrata.
- Vrata zamrzivača ili hladnjaka možda su odškrinuta. >>>Provjerite jesu li vrata zatvorena do kraja.
- Hladnjak je podešen na vrlo nisku temperaturu. >>>Podesite temperaturu hladnjaka na topliju razinu i pričekajte dok se temperatura ne postigne.
- Brtva vrata hladnjaka ili zamrzivača možda je prljava, istrošena, oštećena ili nije dobro sjela. >>>Očistite ili zamijenite brtvu. Oštećena/slomljena brtva uzrokuje dulji rad hladnjaka kako bi se održala trenutačna temperatura.

Temperatura zamrzivača vrlo je niska, dok je temperatura hladnjaka dovoljna.

- Temperatura zamrzivača postavljena je na vrlo nisku temperaturu. >>>Podesite temperaturu hladnjaka na toplije i provjerite.

Temperatura hladnjaka vrlo je niska, dok je temperatura zamrzivača dovoljna.

- Temperatura hladnjaka podešena je na vrlo nisku temperaturu. >>>Podesite temperaturu hladnjaka na toplije i provjerite.

Hrana koja se čuva u ladicama odjeljka hladnjaka zamrznuta je.

- Temperatura hladnjaka podešena je na vrlo visoku temperaturu. >>>Podesite temperaturu hladnjaka na hladnije i provjerite.

Temperatura u hladnjaku ili zamrzivaču vrlo je visoka.

- Temperatura hladnjaka podešena je na vrlo visoku temperaturu. >>>Postavka temperature odjeljka hladnjaka utječe na temperaturu zamrzivača. Mijenjajte temperature hladnjaka ili zamrzivača i čekajte dok odgovarajući odjeljci ne postignu dovoljnu temperaturu.
- Možda ste često otvarali vrata ili ih ostavljali odškrinutima na duže vrijeme.
>>>Nemojte često otvarati vrata.
- Vrata su odškrinuta. >>>Zatvorite vrata do kraja.
- Hladnjak je nedavno uključen ili je u njega stavljena hrana. >>>To je normalno. Kada je hladnjak nedavno uključen ili je u njega stavljena hrana, trebat će dulje vremena da postigne postavljenu temperaturu.
- Možda su nedavno u hladnjak stavljene velike količine vruće hrane. >>>Ne stavljajte vruću hranu u hladnjak.

Vibracije ili buka.
<ul style="list-style-type: none"> • Pod nije ravan ili stabilan. >>>Ako se hladnjak ljulja tijekom laganog pomicanja, uravnotežite ga podešavanjem nožica. Pazite također da je pod ravan i da dovoljno jak da može nositi hladnjak. • Predmeti stavljeni na hladnjak mogu uzrokovati buku. >>>Uklonite predmete s hladnjaka.
Iz hladnjaka se čuje buka poput toka tekućine, špricanja itd.
<ul style="list-style-type: none"> • Protok tekućine i plinova događa se u skladu s radnim principima vašeg hladnjaka. To je normalno i ne predstavlja kvar.
Iz hladnjaka dopire zviždanje.
<ul style="list-style-type: none"> • Ventilatori se upotrebljavaju za hlađenje hladnjaka. To je normalno i ne predstavlja kvar.
Kondenzacija na unutarnjim stjenkama hladnjaka.
<ul style="list-style-type: none"> • Toplo i vlažno vrijeme povećava nastanak leda i kondenziranje. To je normalno i ne predstavlja kvar. • Možda ste često otvarali vrata ili ih ostavljali odškrinutima na duže vrijeme. >>>Nemojte često otvarati vrata. Zatvorite ih ako su otvorena. • Vrata su odškrinuta. >>>Zatvorite vrata do kraja.
Vlaga se pojavljuje na vanjskom dijelu hladnjaka ili između vrata.
<ul style="list-style-type: none"> • Možda ima vlage u zraku; to je potpuno normalno kad je vrijeme vlažno. Kad je vlažnost manja, kondenzat će nestati.
Neugodan miris unutar hladnjaka.
<ul style="list-style-type: none"> • Ne obavlja se redovito čišćenje. >>>Redovito čistite unutrašnjost hladnjaka spužvom, mlakom vodom ili sodom bikarbonom otopljenom u vodi. • Neugodan miris možda uzrokuju neke posude ili materijali pakiranja. >>>Upotrijebite drugu posudu ili drugačiju marku materijala za pakiranje. • Hrana je stavljena u hladnjak u nepokrivenim posudama. >>>Čuvajte hranu u zatvorenim posudama. Mikroorganizmi koji se šire iz nepokrivenih posuda mogu uzrokovati neugodne mirise. • Iz hladnjaka uklonite hranu kojoj je istekao rok trajanja i koja je pokvarena.
Vrata se ne zatvaraju.
<ul style="list-style-type: none"> • Pakiranja hrane možda sprječavaju zatvaranje vrata. >>>Uklonite pakiranja hrane koji smetaju vratima. • Hladnjak ne stoji ravno na podu. >>>Podesite nožice kako biste uravnotežili hladnjak. • Pod nije ravan ili jak. >>>Provjerite je li pod ravan i može li podnijeti težinu hladnjaka.
Odjeljci za voće i povrće zaglavljani su.
<ul style="list-style-type: none"> • Hrana dodiruje vrh ladice. >>>Presložite hranu u ladici.

Prosím, čtěte nejprve tento návod.

Vážený zákazníku,

Doufáme, že výrobek, který byl vyroben v moderních závodech a kontrolován v souladu s nejpřísnějšími postupy kontroly kvality, vám zajistí účinný provoz.

Proto si přečtěte celý návod k použití pečlivě, ještě než produkt použijete a uchovejte ho pro budoucí použití. Pokud produkt předáte další osobě, rovněž jí předejte návod k použití.

Návod k použití vám pomůže použít produkt rychle a bezpečně.

- Návod si přečtěte dříve, než produkt nainstalujete a zapnete.
- Ujistěte se, že jste si přečetli bezpečnostní pokyny.
- Návod uschovejte na snadno přístupném místě, možná jej budete později potřebovat.
- Přečtěte si i další dokumenty dodané s výrobkem.

Nezapomeňte, že tento návod se může vztahovat i k několika jiným modelům. Rozdíly mezi modely jsou v návodu výslovně uvedeny.

Vysvětlení symbolů

V celém návodu k použití jsou použity následující symboly:

 Důležité informace nebo užitečné tipy.

 Varování před nebezpečnými situacemi pro život a majetek.

 Varování proti elektrickému napětí.

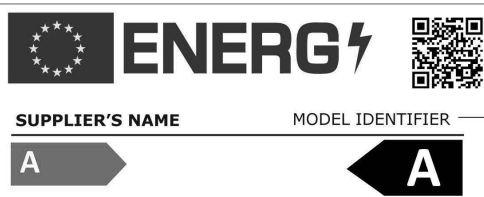


UPOZORNĚNÍ!

Aby byl zajištěn normální provoz vaší chladničky, která používá pro životní prostředí zcela neškodné chladicí médium R600a (vznětlivé pouze za určitých podmínek), musíte dodržet následující pravidla:

- Nebraňte ve volné cirkulaci vzduchu kolem přístroje.
- Nepoužívejte mechanická zařízení pro zrychlení odmražení kromě těch, která jsou doporučena výrobcem.
- Nelikvidujte chladicí okruh.
- Nepoužívejte elektrické spotřebiče uvnitř prostoru pro potraviny kromě těch, která by mohl doporučit výrobce.

INFORMACE

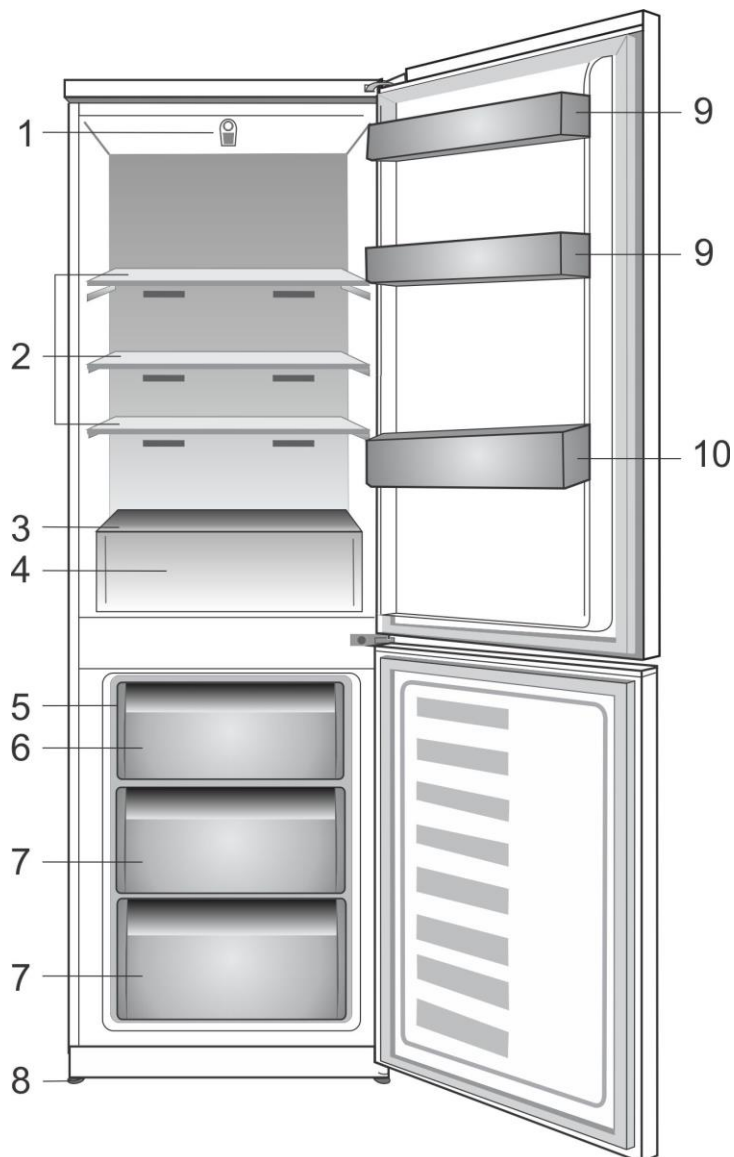


Informace o modelu uložené v databázi výrobků se dají získat zadáním následující webové stránky a vyhledáním identifikátoru vašeho modelu (*), který je uveden na energetickém štítku.

<https://eprel.ec.europa.eu/>

<u>1 Vaše chladnička</u>	<u>3</u>	<u>4 Příprava</u>	<u>10</u>
<u>2 Důležitá bezpečnostní upozornění</u>	<u>4</u>	<u>5 Použití chladničky</u>	<u>11</u>
Zamýšlené použití	4	Tlačítko nastavení termostatu	11
Obecná bezpečnost	4	Rozmrazování	11
Produkty s dávkovačem vody	4	Mražení čerstvých potravin	12
Bezpečnost dětí	6	Doporučení pro uschování mražených potravin	13
Dodržování směrnice WEEE o likvidaci odpadů	6	Doporučení pro oddělení s čerstvými potravinami	13
Informace na obalu	7	Změna směru otevírání dveří	14
Varování HCA	7	<u>6 Údržba a čištění</u>	<u>15</u>
Věci, které je třeba udělat pro úsporu energie	7	Předejití vzniku špatného zápachu	15
<u>3 Instalace</u>	<u>8</u>	Ochrana plastových ploch	15
Body, kterým je třeba věnovat pozornost při přemístění chladničky ...	8	<u>7 Odstraňování problémů</u>	<u>16</u>
Než chladničku spustíte	8		
Elektrické zapojení	8		
Likvidace obalu	9		
Likvidace vaší staré chladničky	9		
Umístění a instalace	9		
Výměna žárovky	9		
Nastavení nožiček	9		

1 Vaše chladnička



1. Kolečko nastavení a vnitřní osvětlení
2. Nastavitelné poličky
3. Skleněný kryt
4. Prostor pro čerstvé potraviny
5. Podpěra zásobníku na led a zásobník na led
6. Příslušenství pro rychlé zmrazování potravin
7. Prostory pro skladování zmražených potravin
8. Nastavitelné přední nožky
9. Poličky na nádoby
10. Poličky na lahve

i Obrázky uvedené v tomto návodu k použití jsou schematické a nemusí přesně odpovídat vašemu produktu. Pokud zobrazené části nejsou obsaženy v produktu, který jste zakoupili, jde o součásti jiných modelů.

2 Důležitá bezpečnostní upozornění

Prostudujte si následující informace, prosím. Nedodržení těchto informací může vést ke zraněním nebo škodám na majetku.

Jinak neplatí záruka ani jiné závazky.

Životnost vašeho produktu je 10 let.

Během tohoto období budou k dispozici originální náhradní díly, aby se zajistil správný provoz produktu.

Určené použití

Tento produkt je určen pro použití uvnitř a v uzavřených oblastech, např. domech;

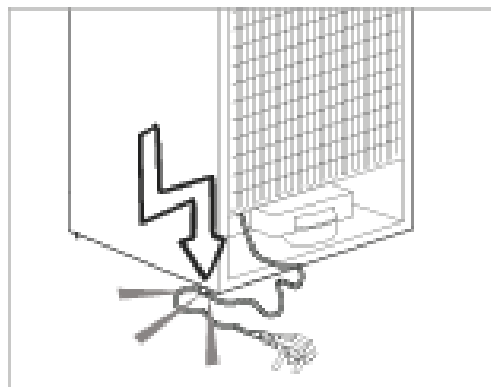
- v uzavřených pracovních prostředích, jako jsou obchody a kanceláře;
- v uzavřených obytných oblastech, jako jsou farmy, hotely, penziony.
- Spotřebič se nesmí používat venku.

Obecná bezpečnost

- V případě, že produkt chcete zlikvidovat/sešrotovat, doporučujeme kontaktovat autorizovaný servis a orgány, kde zjistíte nezbytné informace.
- Veškeré otázky a problémy související s chladničkou vám pomůže vyřešit autorizovaný servis. Do chladničky nezasahujte a nikomu to nedovolte, aniž byste vyrozuměli autorizovaný servis.
- U produktů s prostorem mrazničky; Nejezte zmrzlinu a kostky ledu bezprostředně poté, co je vyjmete z prostoru mrazničky! (Může dojít k omrznutí úst.)

- U produktů s prostorem mrazničky; Nevkládejte do prostoru mrazničky nápoje v lahvích a plechovkách. V opačném případě by mohly explodovat.
- Nedotýkejte se mražených potravin rukou; mohou se vám k ní přilepit.
- Než chladničku vyčistíte nebo odmrazíte, odpojte ji.
- Při čištění a odmrazování chladničky nikdy nepoužívejte parní čističe a čisticí materiály. V takových případech by se totiž výpary mohly dostat do styku s elektrickými součástmi a způsobit zkrat či zásah elektrickým proudem.
- Nikdy nepoužívejte součásti na chladniče, např. dveře, jako podpěru nebo schůdek.
- Uvnitř chladničky nepoužívejte elektrické spotřebiče.
- Části, v kterých obíhá chladicí látka, nepoškozujte vrtáním nebo řezáním. Chladicí látka by mohla v místech narušení plynových kanálů výparníku, prodlouženích trubek nebo povrchových vrstev vytéct a způsobit podráždění kůže a zranění očí.
- Žádným materiálem nezakrývejte a neblokujte větrací otvory na chladniče.
- Elektrické spotřebiče musí být opraveny pouze oprávněnými osobami. Opravy provedené nekompetentními osobami mohou vést k ohrožení uživatele.

- V případě selhání nebo během údržby či oprav odpojte napájení chladničky buď vypnutím příslušné pojistky nebo odpojením spotřebiče ze sítě.
- Když odpojíte zástrčku, netahejte za kabel.
- Nápoje vkládejte vertikálně a pevně zavřené.
- V chladničce nikdy neskladujte nádoby s hořlavými spreji a výbušnými látkami.
- Nepoužívejte mechanické nástroje nebo jiné prostředky k urychlení procesu odmrazení s výjimkou těch, které doporučuje výrobce.
- Tento produkt by neměly používat osoby s tělesnými, smyslovými nebo duševními poruchami či nezkušené nebo nepoučené osoby (včetně dětí), pokud jsou bez dohledu osoby, která bude odpovídat za jejich bezpečnost nebo která jim poskytne náležité školení k používání výrobku
- Poškozenou chladničku nepoužívejte. V případě jakýchkoli pochybností kontaktujte zástupce servisu.
- Elektrická bezpečnost chladničky je zaručena pouze tehdy, pokud systém uzemnění ve vašem domě splňuje patřičné normy.
- Vystavení výrobku dešti, sněhu, slunci a větru je nebezpečné z hlediska elektrické bezpečnosti.
- Pokud dojde k poškození napájecího kabelu, kontaktujte autorizovaný servis.
- Během instalace nikdy nezapojíte chladničku do zásuvky. Jinak může dojít k ohrožení zdraví s následkem smrti.
- Tato chladnička je určena pouze ke skladování potravin. Nesmí být používána k žádnému jinému účelu.
- Štítek s technickými údaji se nachází na levé stěně uvnitř chladničky.
- Chladničku nikdy nezapojíte do systémů pro úsporu elektřiny; mohly by chladničku poškodit.
- Je-li na chladničce rozsvícené modré světlo, nedívejte se do něj optickými nástroji.
- V případě chladniček s manuálním ovládáním počkejte minimálně 5 minut než chladničku po výpadku napájení znovu spustíte.
- V případě, že je produkt předán novému majiteli, musí být předán i s tímto návodem.
- Při přepravě chladničky nepoškozte napájecí kabel. Ohnutím kabelu může dojít k požáru. Na napájecí kabel nikdy nedávejte těžké předměty.
- Při zapojování produktu se zástrčky nedotýkejte mokřýma rukama.



- Je-li nástěnná zásuvka volná, chladničku nezapojíte.
- Z bezpečnostních důvodů nestříkejte na vnitřní nebo vnější části produktu vodu.

- Do blízkosti chladničky nestříkejte látky s hořlavými plyny, jako je propan, aby nedošlo k požáru a výbuchu.
- Na horní stranu chladničky nikdy nestavte nádoby naplněné vodou, jinak by mohlo dojít k zásahu elektrickým proudem nebo k požáru.
- Chladničku nepřepĺňujte velkým množstvím potravin. Při přeplnění mohou potraviny spadnout dolů a poranit vás a poškodit chladničku při otevření dveří.
- Na horní stranu chladničky nic nestavte; tyto předměty by jinak mohly při otevření nebo zavření dveří chladničky spadnout.
- Vzhledem k tomu, že vakcíny, léky citlivé na teplo a vědecké materiály atd. vyžadují přesnou teplotu, nesmí být v této chladničce skladovány.
- Pokud chladničku nebudete delší dobu používat, musíte ji odpojit. Možný problém napájecího kabelu by mohl způsobit požár.
- Konec zástrčky musíte pravidelně čistit suchým hadříkem; v opačném případě by mohlo dojít k požáru.
- Nejsou-li nastavitelné nožičky správně upevněny k podlaze, chladnička se může pohybovat. Pohybu chladničky předejdete správným zajištěním nastavitelných nožiček k podlaze.
- Chladničku při přenášení nedržte za rukojeť dveří. V opačném případě by se mohla odpojit.
- Když musíte svůj produkt umístit vedle jiné chladničky nebo mrazničky, vzdálenost mezi nimi musí být nejméně 8 cm. V opačném případě by mohlo dojít k provlhnutí sousedících stěn.

U výrobků s dávkovačem vody;


- Tlak vody musí být minimálně 1 bar.
Tlak vody musí být maximálně 8 bar.
- Používejte pouze pitnou vodu.

Bezpečnost dětí

- Mají-li dveře zámek, klíč musí být uschován mimo dosah dětí.
- Na děti je třeba dávat pozor, aby do produktu nezasahovaly.

Dodržování směrnice WEEE o likvidaci odpadů



Symbol  na produktu či obalu označuje, že tento výrobek nelze zpracovat jako domovní odpad. Předajte jej na příslušné sběrné místo k recyklaci elektrického a elektronického zařízení. Zajištěním správné likvidace produktu, pomůžete zabránit případným negativním dopadům na životní prostředí a lidské zdraví, které by způsobilo nesprávné zpracování tohoto výrobku. Podrobnější informace o recyklaci tohoto výrobku vám poskytne místní radnice, služba odvozu domovního odpadu nebo obchod, kde jste výrobek zakoupili.

Informace o balení

Balící materiály produktu jsou vyrobeny z recyklovatelných materiálů v souladu s našimi národními směrnicemi na ochranu životního prostředí. Balící materiály nevyhazujte do domácího nebo jiného odpadu. Odvezte je na sběrné místo balícího materiálu, které má pověření místních orgánů.

Nezapomeňte...

Recyklování je nezbytnou věcí pro přírodu a naše národní bohatství.

Chcete-li přispět k opakovanému zhodnocení balících materiálů, můžete se obrátit na organizace na ochranu životního prostředí nebo městské úřady v místě vašeho bydliště

Varování HCA

Pokud chladicí systém vašeho výrobku obsahuje R600a:

Tento plyn je hořlavý. Dávejte tedy pozor, abyste nepoškodili systém chlazení a potrubí během použití a přepravy. V případě poškození udržujte výrobek mimo potenciální zdroje hoření, které mohou způsobit vznícení výrobku, a vyvětrejte místnost, v níž je přístroj umístěn.

Typ plynu použitý v produktu je uveden na typovém štítku na levé stěně uvnitř chladničky.

Produkt nikdy nevhazujte do ohně.

Co udělat pro úsporu energie

- Dveře chladničky nenechávejte dlouho otevřené.
- Do chladničky nevkládejte horké potraviny nebo nápoje.
- Chladničku nepřepněte a nebraňte tak oběhu vzduchu uvnitř.
- Chladničku neinstalujte na přímé sluneční světlo nebo do blízkosti spotřebičů vyzařujících teplo, např. trub, myček nádobí nebo radiátorů. Chladničku nainstalujte minimálně 30 cm od zdrojů vyzařujících teplo a minimálně 5 cm od elektrických trub.
- Dbejte na to, abyste potraviny skladovali v uzavřených nádobách.
- Do prostoru mrazničky v chladničce můžete dát maximální množství potravin když vyjmete zásuvky, které jsou součástí mrazničky. Deklarovaná hodnota spotřeby energie chladničky byla stanovena s vyjmutými zásuvkami v prostoru mrazničky. Neexistuje žádné nebezpečí při použití poličky nebo zásuvky vhodné pro tvary a velikost potravin, které mají být zmrazené.
- Rozmrazování zmražených potravin v prostoru chladničky přinese jak úsporu energie, tak zachová kvalitu potravin.

 Vnitřek chladničky je třeba důkladně vyčistit.

3 Instalace

⚠ V případě, že není postupováno v souladu s informacemi uvedenými v návodu k použití, výrobce nepřebírá žádnou zodpovědnost.

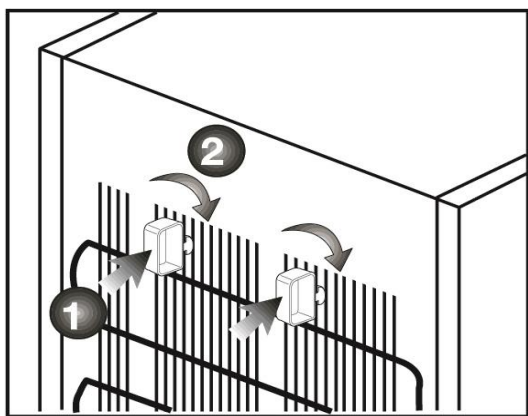
Body, kterým je třeba věnovat pozornost při přemístění chladničky

1. Vaše chladnička musí být odpojena. Než chladničku začnete přepravovat, musí být vyprázdněna a vyčištěna.
2. Než ji znovu zabalíte, poličky, příslušenství, zásuvky, atd. uvnitř chladničky musí být zajištěny lepící páskou a zajištěny proti nárazům. Balení musí být zajištěno tenkou páskou nebo lany a musí být dodržena pravidla pro přepravu uvedená na obalu.
3. Původní obaly a pěnové materiály uschovejte pro budoucí přepravu či přesun.

Než chladničku spustíte

Než začnete chladničku používat, zkontrolujte následující:

1. Připevněte 2 plastové klínky, jak je zobrazeno níže. Plastové klínky mají zajistit vzdálenost nutnou pro cirkulaci vzduchu mezi vaší chladničkou a stěnou. (Obrázek je zamýšlen jako ukázka a není identický s vaším produktem.)



2. Vyčistěte vnitřek chladničky podle kapitoly „Údržba a čištění“.
3. Zasuňte zástrčku chladničky do nástěnné zásuvky. Po otevření dvířek chladničky se rozsvítí vnitřní osvětlení.
4. Když se spustí kompresor, ozve se zvuk. Kapalina a plyn v chladicí soustavě mohou také vydávat zvuky, i když kompresor neběží, což je poměrně normální.
5. Přední kraje chladničky mohou být teplé. To je normální. Tyto oblasti mají být teplé, aby nedocházelo ke kondenzaci.

Elektrické zapojení

Produkt připojte k uzemněné zásuvce, která je chráněna pojistkou vhodné kapacity.

Důležité:

Zapojení musí být v souladu s národními předpisy.

- Napájecí kabel musí být po instalaci snadno dostupný.
- Elektrická bezpečnost chladničky je zaručena pouze tehdy, pokud systém uzemnění ve vašem domě splňuje patřičné normy.
- Napětí uvedené na štítku umístěném na levé vnitřní straně produktu musí odpovídat napětí vaší sítě.
- **K připojení nepoužívejte prodlužovací kabely a vícecestné zásuvky.**

⚠ Poškozený napájecí kabel musí vyměnit kvalifikovaný elektrikář.

⚠ Dokud není produkt opraven, nesmíte ho používat! Hrozí nebezpečí úrazu elektrickým proudem!

Likvidace obalu

Balící materiály mohou být pro děti nebezpečné. Udržujte materiály mimo dosah dětí nebo je zlikvidujte v souladu s pokyny zpracování odpadů. Nevyhazujte s běžným domácím odpadem, vyhodte na místa pro sběrný odpad označená místními úřady.

Balení chladničky je z recyklovatelných materiálů.

Likvidace vaší staré chladničky

Starou chladničku zlikvidujte tak, abyste neohrozili životní prostředí.

- Informace o likvidaci chladničky získáte u autorizovaného prodejce nebo odpadového odboru vašeho města.

Před likvidací vaší chladničky odřízněte zástrčku a v případě, že jsou na dveřích zámky, zneškodněte je, aby nedošlo k ohrožení dětí.

Umístění a instalace

⚠Pokud nejsou vstupní dveře do místnosti, v níž chladničku nainstalujete, dostatečně široké, aby chladnička prošla, kontaktujte autorizovaný servis a požádejte je o sejmutí dveří chladničky a protáhněte ji bokem.

1. Chladničku umístěte na místo, které umožňuje snadnou obsluhu.
2. Chladničku umístěte mimo zdroje tepla, vlhka a přímé světlo.
3. Kolem chladničky musí být dostatečný prostor pro ventilaci, aby se zajistila účinnost provozu. Pokud máte chladničku umístit do výklenku, musí být nejméně 5 cm od stropu a 5 cm od stěn. Neumísťujte přístroj na materiály, jako je koberec nebo běhoun.
4. Umístěte chladničku na rovnou podlahu, aby nedocházelo ke kymácení.

Výměna žárovky

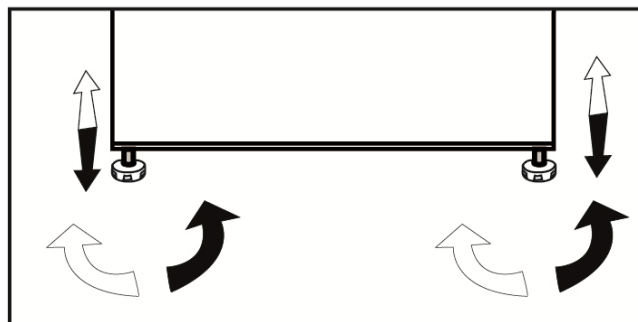
Při výměně žárovky/LED použité k osvětlení vaší chladničky kontaktujte autorizovaný servis.

Lampa (y) použité v tomto přístroji nejsou vhodné pro osvětlení místnosti domácnosti. Zamýšlený účel tohoto svítidla je pomoci uživateli umístit potraviny do chladničky / mrazničky bezpečně a pohodlně.

Žárovky použité v tomto spotřebiči musí vydržet extrémní fyzické podmínky, např. teploty pod -20°C .

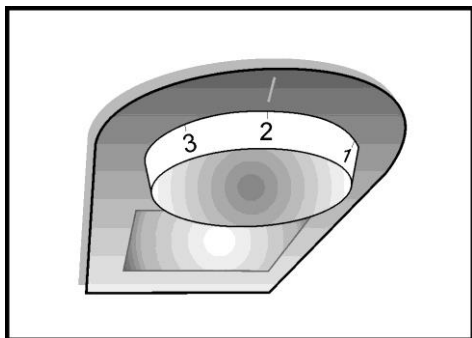
Nastavení nožiček

Je-li vaše chladnička nevyrovnaná; Chladničku vyrovnáte tak, že přední nožičky otočíte tak, jak je znázorněno na obrázku. Roh, kde jsou umístěny nožky, se sníží, když otáčíte ve směru černé šipky, zvedne se, když otáčíte opačným směrem. Pokud vám někdo pomůže nadzvednout chladničku, proces se usnadní.



4 Příprava

- Chladničku instalujte nejméně 30 cm od zdrojů tepla, jako jsou varné desky, trouby, ústřední topení a sporáky a nejméně 5 cm od elektrických trub, neumísťujte ji na přímé sluneční světlo.
- Zajistěte, aby byl vnitřek vaší chladničky důkladně vyčištěn.
- Pokud vedle sebe instalujete dvě chladničky, měl by mezi nimi být rozstup nejméně 2 cm.
- Při prvním spuštění chladničky dodržujte během prvních šesti hodin následující pokyny.
- Dveře nesmí být často otevírány.
- Musí být spuštěná prázdná, bez jakýchkoli potravin.
- Chladničku neodpojujte. Pokud dojde k výpadku energie, prostudujte si varování v kapitole „Doporučená řešení problémů“.
- Tento produkt byl navržen k provozu při okolní teplotě až 43 °C (110 °F).



Tlačítko nastavení termostatu

Vnitřní teplota chladničky se mění z následujících důvodů;

- Sezónní teploty,
- Časté otevírání dveří a nechávání dveří dlouho otevřených,
- Vložené jídlo do chladničky bez ochlazení na pokojovou teplotu,
- Umístění chladničky v místnosti (např. vystavení slunečnímu světlu).
- Můžete nastavit proměnlivou teplotu vnitřní části s ohledem na takové důvody prostřednictvím použití termostatu.

Provozní teploty ovládá tlačítko termostatu a lze jej nastavit na jakoukoli pozici mezi 0 a 5 (nejchladnější pozice). Průměrná teplota uvnitř chladničky by měla být zhruba $+5^{\circ}\text{C}$ ($+41^{\circ}\text{F}$).

Nastavte tedy termostat tak, abyste dosáhli požadované teploty. Některé části chladničky mohou být chladnější či teplejší (např. přihrádka na uchování čerstvého salátu a horní část chladničky), což je naprosto normální. Doporučujeme vám kontrolovat teplotu pravidelně teploměrem, abyste měli jistotu, že chladnička stále zachovává tuto teplotu. Častým otevíráním dveří stoupnou vnitřní teploty, takže doporučujeme zavírat dvířka co nejdříve po použití.

Odmrazování

A) Prostor chladničky

V prostoru chladničky dochází k plně automatickému odmrazení. Kapky vody a námraza do síly 7-8 mm se mohou objevit na zadní stěně chladničky, když se chladnička ochlazuje. Tyto jevy jsou normálním důsledkem systému chlazení. Námraza se uvolní automaticky v určitých intervalech díky systému automatického odmrazování na zadní stěně. Uživatel nemusí odškrabávat námrazu nebo stírat kapky vody. Voda po odmrazení stéká do drážky pro sběr vody a teče do výparníku odvodňovací trubcí, kde se sama vypařuje. Pravidelně kontrolujte průchodnost odvodňovací trubice a podle potřeby ji čistěte. Prostor mrazničky se automaticky neodmrazuje, aby nedošlo ke snížení kvality zmražených potravin.

B) Prostor mrazničky

Odmrazování je velmi jednoduché a bez nečistot díky zvláštní nádržce pro sběr odmražené vody.

Odmrazujte dvakrát ročně nebo tehdy, když se utvoří vrstva námrazy asi 7 (1/4") mm. Pro spuštění procesu odmrazování vypněte přístroj ze sítě.

Všechny potraviny zabalte do několika vrstev novinového papíru a uskladněte na chladném místě (např. chladnička nebo spíž).

Do mrazničky lze umístit nádoby s teplou vodou, odmrazování se tím urychlí.

Námrazu neodstraňujte špičatými nebo ostrými předměty, jako jsou nože nebo vidličky.

Nepoužívejte sušiče na vlasy, elektrické radiátory nebo jiné elektrické spotřebiče na odmražení.

Odmraženou vodu setřete houbičkou ze dna prostoru mrazničky. Po odmražení vnitřek pečlivě vysušte. Zástrčku zasuňte do zásuvky a zapněte přívod napájení.

Mražení čerstvých potravin

- Než potraviny umístíte do chladničky, musíte je zabalit nebo zakrýt.
- Než horké potraviny vložíte do chladničky, musíte je zchladit na pokojovou teplotu.
- Potraviny, které chcete zmrazit, musí být čerstvé a kvalitní.
- Potraviny je nutno rozdělit na části podle potřeb rodiny na den či jednotlivé jídlo.
- Potraviny je nutno vzduchotěsně zabalit, aby nevyschly, a to i tehdy, chcete-li je skladovat krátkodobě.
- Materiály, které použijete na balení, musejí být pevné a odolné vůči chladu, vlhkosti, zápachu, oleji a kyselinám, měly by být i vzduchotěsné. Navíc musí být uzavřené a vyrobené z materiálů, které se snadno používají a jsou vhodné pro hloubkové mražení.
- Mražené potraviny je nutno použít rychle poté, co rozmrznou, nikdy se nesmí znovu zmrazit.
- Abyste dosáhli těch nejlepších výsledků, dodržte následující pokyny, prosím.
 1. Nezmrazujte příliš velké množství najednou. Množství potravin se nejlépe uchovává, pokud se zmrazí hloubkově a co nejrychleji.
 2. Umístěním teplých potravin do mrazničky uvedete chladicí kompresor do nepřetržitého chodu, dokud nejsou potraviny zcela zmrzlé.
 3. Dávejte zvýšený pozor, abyste nesmísili již zmrzlé a čerstvé potraviny.

- Horké potraviny je nutno zchladit na pokojovou teplotu, než je vložíte do chladničky.
- Maximálního objemu skladovaných mražených potravin se dosáhne bez použití zásuvek a krytu horní police, který je součástí prostoru mrazničky. Spotřeba energie vašeho spotřebiče je uváděna za situace, kdy je prostor mrazničky plně naplněn bez použití přihrádek a krytu horní police.
- Dojde-li k výpadku elektrické energie, dveře mrazničky neotvírejte. I když výpadek energie trvá déle než “Čas zvýšení teploty” uvedený v oddíle “Technické parametry vaší chladničky”, zmrazeného jídla se to nedotkne. V případě, že výpadek trvá déle, je nutno potraviny zkontrolovat a podle potřeby spotřebovat okamžitě, případně zmrazit po uvaření.
- Při nákupu potravin věnujte pozornost datu expirace, maximální době skladování a doporučené teplotě skladování potravin. Pokud datum expirace uplynulo, potraviny nekonzumujte.

Doporučení pro uschování mražených potravin

Balené mražené potraviny uskladněte v souladu s pokyny výrobce mražených potravin pro ******** (4hvězdičkový) prostor pro mražené potraviny.

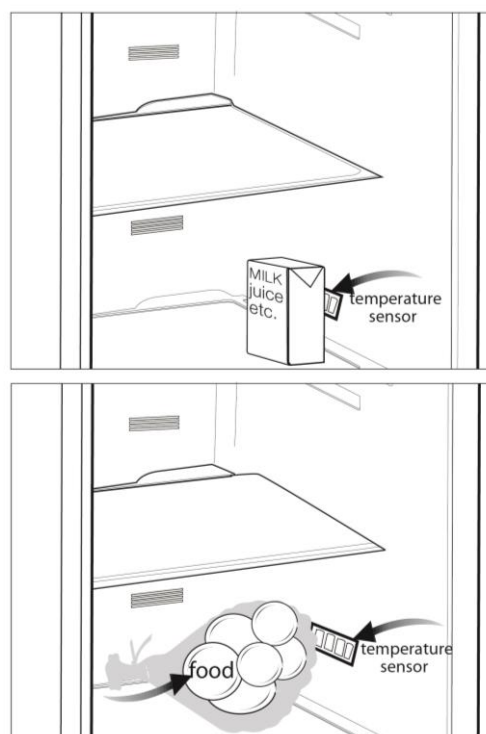
• Pro zajištění vysoké kvality podle výrobce a prodejce mražených potravin nezapomeňte dodržovat následující body:

1. Balení vkládejte do mrazničky co nejrychleji po zakoupení.
2. Ověřte, zda je na obsahu uvedeno označení a datum.
3. Nepřekračujte data spotřeby na obalu.

Doporučení pro oddělení s čerstvými potravinami

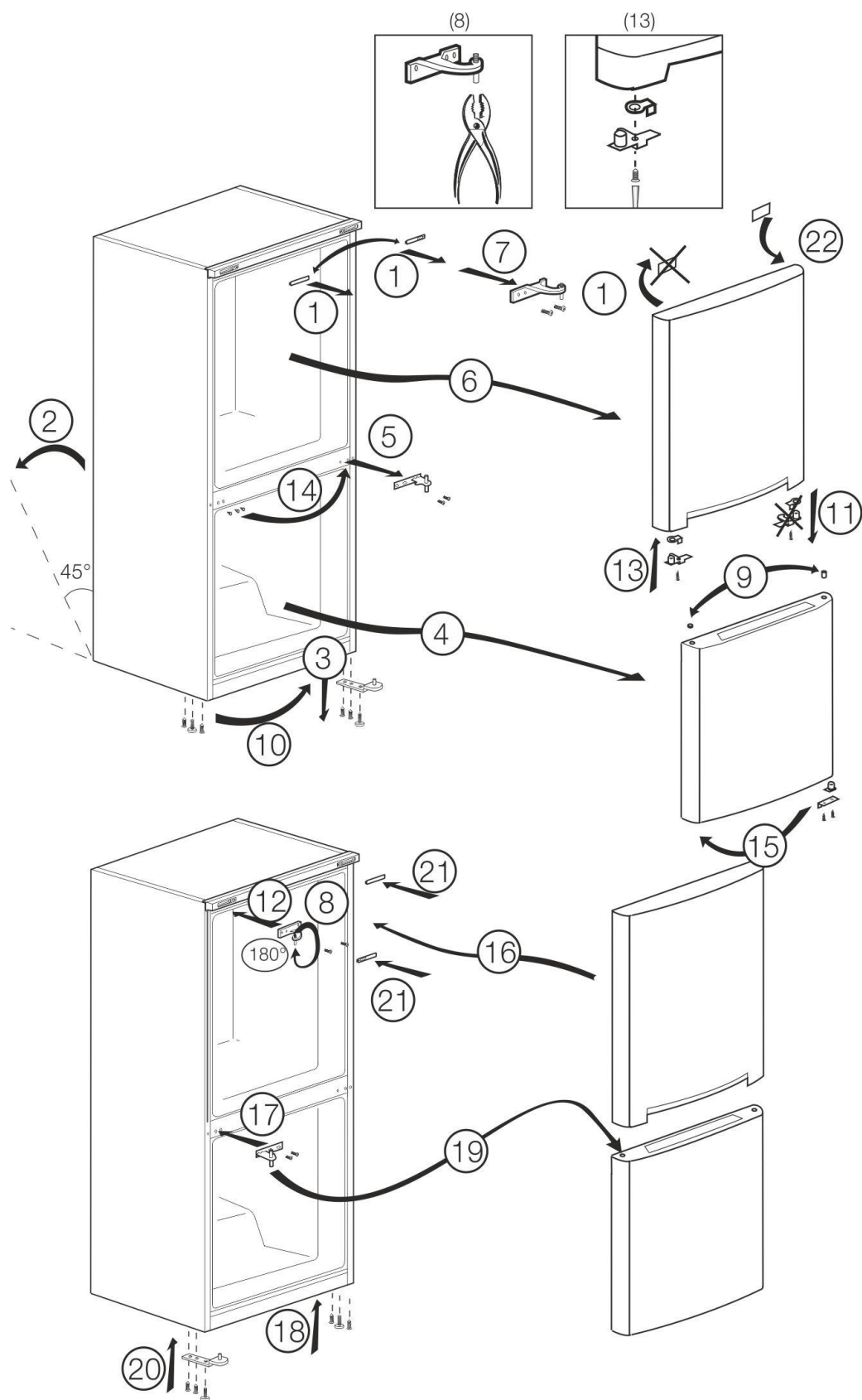
***volitelné**

- Nedovolte, aby se potraviny dotýkaly tepelného snímače v oddělení na čerstvé potraviny. Aby si tento prostor uchoval svoji ideální teplotu, snímač nesmí být zakrytý potravinami.
- Do produktu nevkládejte horká jídla



Změna dvířek

Postupujte podle pořadí



- ⚠** K čištění nikdy nepoužívejte benzín, technický benzín nebo podobné materiály.
- ⚠** Doporučujeme, abyste předtím, než začnete s čištěním chladničky, spotřebič odpojili.
- ⚠** Při čištění nikdy nepoužívejte ostré brusné nástroje, mýdlo, přípravek k čištění domácnosti, odmašťovač a voskové leštidlo.
- i** Skříň chladničky vyčistěte vlažnou vodou, poté ji vytřete dosucha.
- i** K čištění vnitřní části použijte hadřík namočený do roztoku půl litru vody a jedné lžičky jedlé sody, potom ji vytřete dosucha.
- ⚠** Zajistěte, aby se do krytu světla a jiných elektrických prvků nedostala voda.
- ⚠** Pokud nebudete chladničku delší dobu používat, odpojte napájecí kabel, vyjměte všechny potraviny, vyčistěte ji a nechte pootevřené dveře.
- i** Pravidelně kontrolujte těsnění dveří, abyste zajistili, že je čisté a bez zbytků potravin.
- ⚠** Chcete-li vyjmout police ve dveřích, vyndejte z nich veškerý obsah a police jednoduše nazdvihněte.
- ⚠** K čištění vnějších povrchů a chrómem potažených součástí produktu nikdy nepoužívejte čisticí prostředky nebo vodu s obsahem chlóru. Chlór způsobuje korozi kovových povrchů.

Předejití vzniku špatného zápachu

Materiály, které mohou způsobit zápach, se při výrobě našich chladniček nepoužívají.

Nicméně následkem nevhodných skladovacích podmínek potravin a nečištění vnitřního povrchu ledničky podle požadavků může nastat problém se zápachem. Abyste tomuto problému předešli, věnujte pozornost následujícímu:

- Udržování chladničky v čistotě je důležité.

Zápach mohou způsobit zbytky jídla, skvrny, atd. Proto chladničku čistěte každých 15 dnů. Nikdy nepoužívejte čisticí prostředky nebo mýdlo.

- Potraviny skladujte v uzavřených nádobách.

Mikroorganismy množící se z neuzavřených nádob mohou způsobit nepříjemné zápachy.

- V chladničce nikdy neskladujte potraviny jejichž použitelnost vypršela.

Ochrana plastových ploch

- i** Do chladničky nevkládejte tekuté oleje nebo pokrmy s obsahem tuků v neuzavřených nádobách, neboť poškodí plastové plochy v chladničce. V případě rozlití nebo rozetření oleje na plastové ploše vyčistěte a opláchněte příslušnou část plochy teplou vodou.

7 Řešení problémů

Než zavoláte do servisu, projděte si tento seznam. Možná vám ušetří čas a peníze. Tento seznam obsahuje časté stížnosti, které nejsou způsobeny vadným zpracováním či použitými materiály. Některé zde uvedené funkce nemusejí být přítomny na vašem výrobku.

Chladnička nefunguje.

- Zástrčka není do zásuvky zapojena správně. >>>Zástrčku zapojte bezpečně do zásuvky.
- Došlo k vypálení pojistky zásuvky, do které je chladnička zapojena nebo k vypálení hlavní pojistky. >>>Zkontrolujte pojistku.

Kondenzace na boční stěně prostoru chladničky (MULTIZONE, COOL CONTROL a FLEXI ZONE).

- Velmi chladné okolí. >>>Chladničku neinstalujte na místa, na kterých teplota klesá pod 10°C.
- Dveře se často otevírají. >>>Dveře chladničky často neotvírejte a nezavírejte.
- Okolí je velmi vlhké. >>>Chladničku neinstalujte na vlhká místa
- Potraviny s obsahem kapaliny jsou skladovány v otevřených nádobách. >>>Potraviny s vysokým obsahem kapaliny neskladujte v otevřených nádobách.
- Dveře chladničky zůstaly pootevřené. >>>Dveře chladničky zavřete.
- Termostat je nastavený na velmi nízkou úroveň. >>>Termostat nastavte na vhodnou úroveň.

Kompresor není spuštěný

- Tepelná pojistka kompresoru se zapne během náhlého výpadku energie nebo odpojení a zapojení, protože tlak chladicího média v chladicí soustavě chladničky nebyl dosud vyvážen. Vaše chladnička začne fungovat asi po 6 minutách. Kontaktujte servis, pokud se chladnička nespustí ani po této době.
- Chladnička je v režimu odmrazování. >>>To je v případě chladničky s plně automatickým odmrazováním zcela normální. Cyklus odmražení probíhá pravidelně.
- Chladnička není zapojena do zásuvky. >>>Zkontrolujte, zda je zástrčka do zásuvky zapojena.
- Nastavení teploty není provedeno správně. >>>Vyberte vhodnou teplotu.
- Došlo k výpadku napájení. >>>Jakmile se napájení obnoví, chladnička začne fungovat normálně.

Provozní hluk se v okamžiku spuštění chladničky zvyšuje.

- Provozní vlastnosti chladničky se mohou měnit v závislosti na změnách okolní teploty. Je to normální, nejde o poruchu.

Chladnička se spouští často nebo dlouhodobě.

- Nový produkt může být širší než ten předchozí. Větší chladničky fungují delší dobu.
- Pokojová teplota může být vysoká. >>>Je normální, že v horkém prostředí je produkt spuštěný delší dobu.
- Chladnička mohla být zapojena nedávno nebo byla naplněna potravinami. >>>Je-li chladnička zapojena nebo naplněna potravinami nedávno, bude jí dosažení nastavené teploty trvat déle. To je normální.
- V nedávné době jste do chladničky vložili velké množství teplých potravin. >>>Do chladničky nedávejte horké potraviny.
- Dveře mohly být otevírány často nebo mohly zůstat dlouho pootevřené. >>>Teplý vzduch, který vnikl do chladničky, způsobil dlouhodobější spuštění chladničky. Neotevírejte často dveře.
- Dveře mrazničky nebo chladničky mohly zůstat pootevřené. >>>Zkontrolujte, zda jsou dveře pevně zavřené.
- Chladnička je nastavena na velmi nízkou teplotu. >>>Upravte teplotu chladničky na vyšší hodnotu a počkejte, než této teploty dosáhne.
- Těsnění dveří chladničky nebo mrazničky může být ušpiněno, opotřebené, prasklé nebo nesprávně usazené. >>>Těsnění vyčistěte nebo vyměňte. Poškození/prasklé těsnění způsobuje dlouhodobý chod chladničky pro udržení správné teploty.

Teplota v mrazničce je velmi nízká, zatímco teplota v chladničce je dostatečná.

- Teplota mrazničky je nastavena na velmi nízkou hodnotu. >>>Nastavte teplotu mrazničky na vyšší hodnotu a zkontrolujte ji.

Teplota v chladničce je velmi nízká, zatímco teplota v mrazničce je dostatečná.

- Teplota v chladničce je nastavena na velmi nízkou hodnotu. >>>Nastavte teplotu chladničky na vyšší hodnotu a zkontrolujte ji.

Jídlo skladované v chladničce zmrzlo.

- Teplota v chladničce je nastavena na velmi vysokou hodnotu. >>>Nastavte teplotu chladničky na nižší hodnotu a zkontrolujte ji.

Teplota v mrazničce nebo chladničce je velmi vysoká.

- Teplota v chladničce je nastavená na velmi vysokou hodnotu. >>>Nastavení teploty v chladničce ovlivňuje teplotu v mrazničce. Změňte teplotu chladničky nebo mrazničky, dokud teplota v mrazničce nedosáhne dostatečnou hodnotu.
- Dveře se mohly otevírat častěji nebo byly ponechány dlouhou dobu otevřené. >>>Dveře neotevírejte často.
- Dveře jsou pootevřené. >>>Dveře zavřete.
- Chladnička byla právě zapojena nebo naplněna potravinami. >>>To je normální. Je-li chladnička zapojena nebo naplněna potravinami, dosažení nastavené teploty bude trvat déle.
- V nedávné době jste do chladničky vložili velké množství teplých potravin. >>>Do chladničky nedávejte horké potraviny.

Vibrace nebo hluk.
<ul style="list-style-type: none"> • Podlaha není rovná ani stabilní. >>> Pokud chladnička při pomalých pohybech vydává zvuk, vyrovnejte ji nastavením nožiček. Rovněž ověřte, zda je podlaha dostatečně pevná pro chladničku a zda je rovná. • Hluk mohou způsobovat předměty umístěné na chladničce. >>>Sejměte předměty z horní části chladničky.
Ozývá se zvuk z chladničky jako tečení kapaliny, stříkání, atd.
<ul style="list-style-type: none"> • V souladu s provozními principy chladničky dochází k proudění kapalin a plynu. Je to normální, nejde o poruchu.
Z chladničky se ozývá pískání.
<ul style="list-style-type: none"> • K vychlazení chladničky se používají ventilátory. Je to normální, nejde o poruchu.
Kondenzace na vnitřních stěnách chladničky.
<ul style="list-style-type: none"> • Horké a vlhké počasí zvyšuje tvorbu ledu a kondenzace. Je to normální, nejde o poruchu. • Dveře se mohly otevírat častěji nebo byly ponechány dlouhou dobu otevřené. >>>Dveře neotevírejte často. Jsou-li otevřené, zavřete je. • Dveře jsou pootevřené. >>>Dveře zavřete.
Vlhkost na vnější straně chladničky nebo mezi dveřmi.
<ul style="list-style-type: none"> • Ve vzduchu může být vlhkost; to je ve vlhkém počasí zcela normální. Po poklesu vlhkosti kondenzace zmizí.
Nepříjemný zápach v chladničce.
<ul style="list-style-type: none"> • Není prováděno žádné pravidelné čištění. >>>Vnitřní část chladničky vyčistěte houbičkou, vlažnou vodou. • Některé nádoby nebo obaly mohou zapáchat. >>>Použijte jinou nádobu nebo jiný obal. • Potraviny se do chladničky vkládají v nezakrytých nádobách. >>>Potraviny skladujte v uzavřených nádobách. Mikroorganismy množící se z neuzavřených nádob mohou způsobit nepříjemné zápachy. • Z chladničky vyndejte potraviny, u nichž vypršela doba doporučené spotřeby.
Dveře se nezavírají.
<ul style="list-style-type: none"> • Zabalené potraviny brání zavírání dveří. >>>Vyměňte obaly, které brání zavírání dveří. • Chladnička není na rovné podlaze. >>>Chladničku vyrovnejte nastavením nožiček. • Podlaha není rovná. >>>Ověřte, zda je podlaha rovná a zda dokáže chladničku unést.
Přihrádky na čerstvé potraviny jsou zaseklé.
<ul style="list-style-type: none"> • Potraviny se dotýkají horní části zásuvek. >>>Potraviny v zásuvce uspořádejte jinak.

Prosím, najskôr si prečítajte túto používateľskú príručku!

Vážený zákazník,
dúfame, že váš produkt, ktorý bol vyrobený v moderných továrňach a skontrolovaný v rámci prepracovaných postupov riadenia kvality, vám bude úspešne a efektívne slúžiť.

Preto si celú túto používateľskú príručku preštudujte skôr, ako začnete produkt používať a odložte si ju na budúce použitie. Ak produkt odovzdáte niekomu inému, nezabudnite k nemu priložiť aj používateľskú príručku.

Používateľská príručka vám umožní používať produkt rýchlo a bezpečne.

- Príručku si prečítajte pred inštaláciou a prevádzkou vášho produktu.
- Nezabudnite si preštudovať bezpečnostné pokyny.
- Príručku uschovajte na ľahko prístupnom mieste, pretože ho môžete neskôr potrebovať.
- Preštudujte si ostatné dokumenty dodávané spolu s produktom.

Pamätajte, že táto používateľská príručka sa vzťahuje aj na niekoľko ďalších modelov. Rozdiely medzi modelmi budú pomenované v texte príručky.

Vysvetlenie symbolov

V tejto používateľskej príručke sa používajú nasledujúce symboly:

 Dôležité informácie alebo užitočné tipy.

 Výstraha pred ohrozením života a majetku.

 Výstraha pred elektrickým napätím.

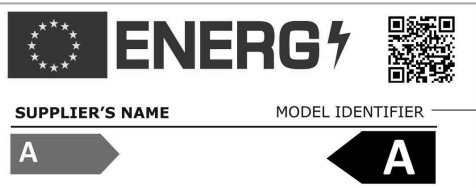


VAROVANIE!

Aby sa zabezpečila normálna prevádzka vašej chladničky, ktorá používa úplne ekologicky nezávadné chladivo R600a (horľavé len pri určitých podmienkach), musíte dodržiavať nasledujúce pravidlá:

- Nebráňte voľnej cirkulácii vzduchu okolo spotrebiča.
- Nepoužívajte mechanické prístroje na urýchľovanie rozmrazovacieho procesu, iné ako odporúča výrobca.
- Neporušujte chladiaci okruh.
- Nepoužívajte elektrické spotrebiče vo vnútri pípacieho priestoru potravín, iné ako tie, ktoré odporúča výrobca.

INFORMÁCIE

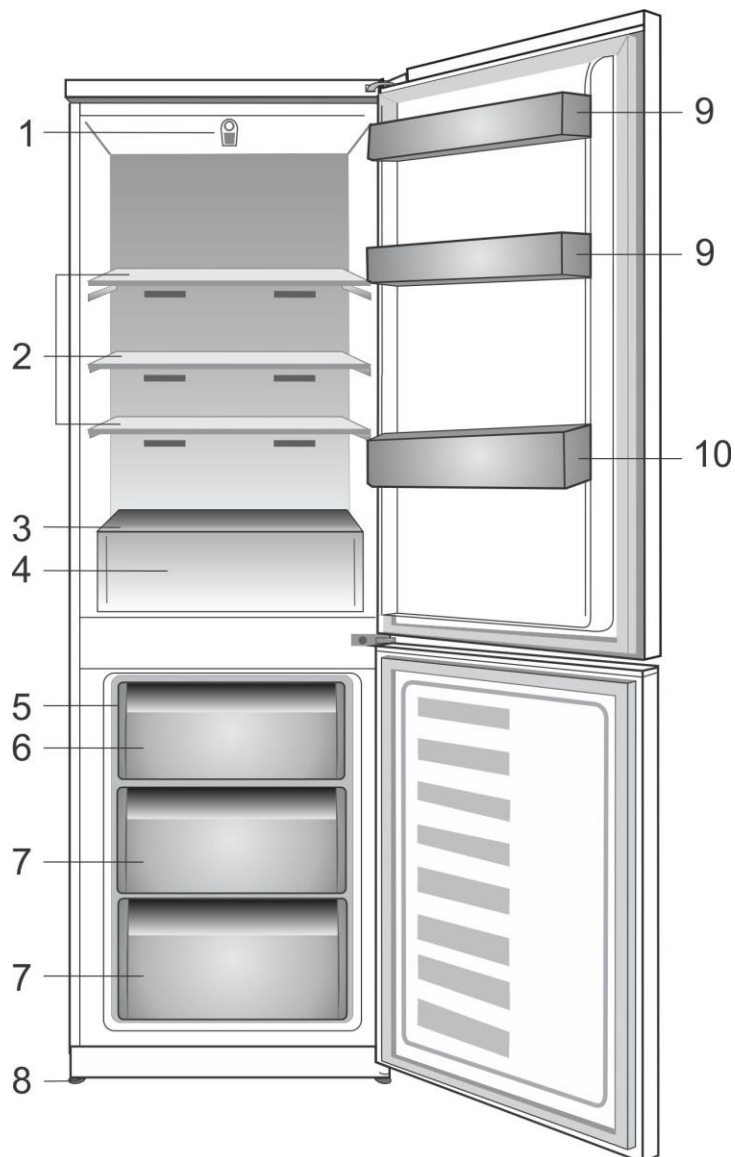


Informácie o modeli uložené v databáze výrobkov sa dajú získať zadáním nasledujúcej webovej stránky a vyhľadáním identifikátora vášho modelu (*), ktorý je uvedený na energetickom štítku.

<https://eprel.ec.europa.eu/>

1 Vaša chladnička	3	4 Príprava	10
2 Dôležité bezpečnostné výstrahy	4	5 Použitie chladničky	11
Cieľové použitie	4	Tlačidlo nastavenia teploty	11
Všeobecná bezpečnosť	4	Rozmrazenie	11
Pre produkty s dávkovačom vody	4	Mrazenie čerstvých potravín	12
Bezpečnosť detí	6	Odporúčania pre uchovávanie mrazeného jedla	13
Súlad so smernicou WEEE a likvidácia vyradených produktov	6	Odporúčania pre oddelenie čerstvého jedla	13
Informácie na obale	7	Obrátenie dverí	14
Varovanie HCA	7	6 Údržba a čistenie	15
Veci, ktoré treba urobiť pre úsporu energie	7	Predchádzanie vzniku zlého zápachu	15
3 Inštalácia	8	Ochrana plastových povrchov	15
Body, ktorým je potrebné venovať pozornosť pri premiestňovaní		7 Riešenie problémov	16
Chladničky	8		
Pred uvedením chladničky do Prevádzky	8		
Elektrické prepojenia	8		
Likvidácia obalu	9		
Likvidácia vašej starej chladničky	9		
Umiestnenie a inštalácia	9		
Výmena lampy osvetlenia	9		
Nastavenie nôh	9		

1 Vaša chladnička



- | | |
|---|------------------------------|
| 1. Gombík nastavenia a interiérové svetlo | 8. Nastaviteľná predná nôžka |
| 2. Nastaviteľné poličky | 9. Polička na nádoby |
| 3. Sklenený kryt | 10. Polička na fľaše |
| 4. Priečinok na šalát | |
| 5. Držiak tácky na ľad a tácka na ľad | |
| 6. Priestor pre rýchle zmrazovanie | |
| 7. Priestory pre uchovávanie mrazených potravín | |

i Obrázky v tejto príručke k obsluhu sú schematické a nemusia sa presne zhodovať s vaším produktom. Ak produkt, ktorý ste si zakúpili, nedisponuje uvádzanými časťami, potom sa to týka iných modelov.

2 Dôležité bezpečnostné výstrahy

Prečítajte si nasledujúce informácie. Nedodržiavanie týchto informácií môže mať za následok zranenia alebo vecné škody. Všetky záručné záväzky tým strácajú platnosť.

Originálne náhradné súčiastky budú dodávané po dobu 10 rokov od kúpy výrobku.

Určené použitie

Tento výrobok je určený na použitie v interiéroch a v uzatvorených oblastiach, ako napríklad v domoch;

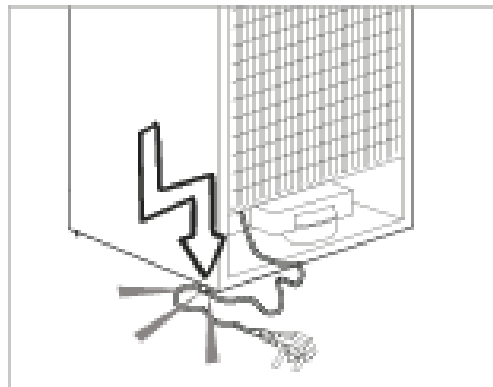
- v uzatvorených pracovných prostrediach, ako napríklad obchody a kancelárie,
- v uzatvorených ubytovacích oblastiach, ako napríklad chalupy, hotely, penzióny.
- Nesmie sa používať v exteriéroch.

Všeobecná bezpečnosť

- Ak chcete vyradiť/zlikvidovať tento produkt, odporúčame vám poradiť sa s autorizovaným servisom, aby ste získali potrebné informácie o autorizovaných orgánoch zriadených na tento účel.
- Obráťte sa na autorizovaný servis so všetkými otázkami a problémami s vašou chladničkou. Nezasahujte ani nenechajte iných zasahovať do chladničky bez upozornenia autorizovaného servisu.
- Pri výrobkoch s mraziacim priečinkom nejezte zmrzlinu v kornútoch a kocky ľadu ihneď po ich vybratí z mraziaceho priečinka! (Môžete si tým spôsobiť nepríjemný mrazivý pocit v ústach.)

- Pri výrobkoch s mraziacim priečinkom nedávajte do mraziaceho priečinka tekuté nápoje vo fľašiach a plechovkách. V opačnom prípade by mohli prasknúť.
- Mrazeného jedla sa nedotýkajte rukami; mohlo by sa k ruke prilepiť.
- Pred čistením alebo rozmrazovaním chladničku odpojte.
- Para a parové čistiace prostriedky by sa nikdy nemali používať pri čistení a odmrazovaní vašej chladničky. V takýchto prípadoch by sa para mohla dostať do kontaktu s elektrickými dielmi a spôsobiť skrat alebo zásah elektrickým prúdom.
- Nikdy nepoužívajte rôzne časti, ako napr. dvere, ako podpery alebo schodíky.
- Vo vnútri vašej chladničky nepoužívajte elektrické zariadenia.
- Časti, v ktorých cirkuluje chladivo, nepoškodzujte nástrojmi na vŕtanie alebo rezanie. V prípade perforácie plynových kanálov výparníka, trubkových rozšírení alebo povrchových úprav, spôsobuje rozliaty chladiaci prostriedok podráždenie pokožky a zranenia očí.
- Neprekrývajte ani neblokujte ventilačné otvory na chladničke žiadnymi materiálmi.
- Elektrické spotrebiče musia opravovať len oprávnené osoby. Opravy vykonávané nekompetentnými osobami predstavujú riziko pre používateľa.

- V prípade zlyhania alebo počas údržby alebo opráv odpojte chladničku od elektrického rozvodu buď vypnutím príslušnej poistky alebo odpojením spotrebiča od siete.
- Pri odpájaní zásuvky neťahajte za kábel, ale potiahnite zásuvku.
- Nápoje s vysokým obsahom alkoholu umiestnite tesne vedľa seba a vertikálne.
- V chladničke neskladujte spreje s rozprašovačom, ktoré obsahujú horľavé alebo výbušné látky.
- Nepoužívajte mechanické prístroje alebo iné prostriedky na urýchľovanie rozmrazovacieho procesu iné ako tie, ktoré odporúča výrobca.
- Tento produkt nie je určený na používanie osobami s fyzickými, zmyslovými alebo duševnými poruchami alebo nepoučenými alebo neskúsenými osobami (vrátane detí), pokiaľ pri nich nie je osoba, ktorá je zodpovedná za ich bezpečnosť, alebo ktorá ich riadne poučí o používaní produktu
- Neuvádzajte do prevádzky poškodenú chladničku. Ak máte akékoľvek pochybnosti, obráťte sa na servisného zástupcu.
- Elektrická bezpečnosť vašej chladničky je zaručená len vtedy, keď je váš uzemňovací systém v zhode s týmito štandardmi.
- Vystavenie produktu pôsobeniu dažďa, snehu, slnka a vetra je nebezpečné z pohľadu elektrickej bezpečnosti.
- Pri poškodení elektrického kábla kontaktujte autorizovaný servis, aby ste zabránili ohrozeniu.
- Počas inštalácie nikdy chladničku nepripájajte do elektrickej zásuvky. V opačnom prípade vznikne riziko usmrtenia alebo vážneho zranenia.
- Táto chladnička je určená len na skladovanie potravín. Nepoužívajte ju na žiadne iné účely.
- Štítok s technickými údajmi sa nachádza na ľavej stene vo vnútri chladničky.
- Chladničku nezapájajte do elektronických systémov na úsporu energie, pretože ju môžu poškodiť.
- Ak je v chladničke modré svetlo, nepozerajte sa naň cez optické zariadenia.
- Manuálne riadené chladničky zapínajte po výpadku prúdu s odstupom najmenej 5 minút.
- Pri odovzdaní produktu inej osobe odovzdajte túto príručku k obsluhu novému vlastníkovi.
- Zabráňte poškodeniu elektrického kábla pri preprave chladničky. Prehýbanie kábla môže spôsobiť požiar. Na napájací kábel nedávajte ťažké predmety.
- Pri zapájaní produktu sa zástrčky nedotýkajte mokrými rukami.



- Chladničku nezapájajte, ak je zásuvka na stene uvoľnená.
- Z bezpečnostných dôvodov nestriekajte vodu priamo na vnútorné alebo vonkajšie časti produktu.

- Z dôvodu rizika požiaru a výbuchu nerozstrekujte v blízkosti chladničky horľavé materiály, ako napríklad propánový plyn a pod.
- Na chladničku neumiestňujte nádoby naplnené vodou, pretože môžu spôsobiť zásah elektrickým prúdom alebo požiar.
- Chladničku nepreťažujte. Ak je preťažená, potraviny môžu spadnúť a spôsobiť vám zranenie a poškodiť chladničku, keď otvoríte dvere.
- Na chladničku nikdy nedávajte predmety, pretože môžu spadnúť, keď otvoríte alebo zatvoríte dvere chladničky.
- V chladničke nechovávajte vakcíny, lieky citlivé na teplo, vedecké materiály a pod., ktoré si vyžadujú presnú teplotu.
- Ak sa chladnička nebude dlhší čas používať, treba ju odpojiť zo siete. Možný problém s napájacím káblom môže spôsobiť požiar.
- Výbežky zástrčky by sa mal pravidelne čistiť suchou handričkou, pretože v opačnom prípade môže dôjsť k požiaru.
- Keď nastaviteľné nožičky nie sú umiestnené pevne na podlahe, môže dôjsť k posunu chladničky. Správnym upevnením nastaviteľných nožičiek na podlahe možno zabrániť posúvaniu chladničky.
- Pri prenášaní chladničky ju nedržte za rukoväť na dverách. V opačnom prípade môže prasknúť.
- Ak musíte umiestniť produkt vedľa inej chladničky alebo mrazničky, vzdialenosť medzi nimi musí byť najmenej 8 cm. Inak môžu priľahlé steny strán navlhnúť.

Pri výrobkoch s dávkovačom vody;

Tlak prívodu vody musí byť najmenej 1 bar. Tlak prívodu vody musí byť najviac 8 barov.


- Používajte len pitnú vodu.

Bezpečnosť detí

- Ak dvere obsahujú zámku, kľúč uchovávajte mimo dosah detí.
- Deti musia byť pod dohľadom, aby sa zabránilo ich zasahovaniu do produktu.

Súlad so smernicou WEEE a likvidácia vyradených produktov



Symbol  na výrobku alebo na balení označuje, že s týmto výrobkom sa nesmie manipulovať ako s odpadom z domácnosti. Namiesto toho by ste ho mali odovzdať na príslušnom zbernom mieste, kde sa zabezpečuje recyklácia elektrických a elektronických zariadení. Zabezpečením správnej likvidácie tohto výrobku pomôžete zabrániť potenciálne nebezpečným negatívnym následkom na životné prostredie a zdravie ľudí, ktoré by inak mohla spôsobiť nevhodná likvidácia tohto výrobku. Ak chcete získať podrobnejšie informácie o recyklácii tohto výrobku, obráťte sa na miestny mestský úrad, na spoločnosť, ktorá sa zaoberá likvidáciou odpadu z domácností, alebo na predajňu, v ktorej ste výrobok kúpili.

Informácie o balení

Obalový materiál produktu je vyrobený z recyklovateľných materiálov v súlade s národnými predpismi o životnom prostredí. Nevyhadzujte obalové materiály spolu s odpadmi z domácnosti alebo inými odpadmi. Vezmite ho na zberné miesto označené miestnymi úradmi

Nezabudnite...

Recyklovanie je nevyhnutnou vecou pre prírodu a naše národné bohatstvo.

Ak chcete prispieť k opakovanému zhodnoteniu baliacich materiálov, môžete sa obrátiť na organizácie na ochranu životného prostredia alebo mestské úrady v mieste vášho bydliska.

Varovanie HCA

Chladiaci systém vášho výrobku obsahuje R600a:

Tento plyn je horľavý. Preto dajte pozor na to, aby ste nepoškodili chladiaci systém a potrubné vedenia pri používaní a preprave. V prípade poškodenia udržiavajte produkt mimo potenciálnych zdrojov plameňa, ktoré by mohli spôsobiť vznietenie produktu, a miestnosť, kde je zariadenie umiestnené, dostatočne vetrajte.

Typ plynu použitý vo výrobku je uvedený na typovom štítku, ktorý sa nachádza na ľavej stene vnútri chladničky.

Produkt nelikvidujte hodením do ohňa.

Veci, ktoré treba urobiť pre úsporu energie

- Dvere vašej chladničky nenechávajte otvorené dlhý čas.
- Do chladničky nevkladajte horúce jedlá alebo nápoje.
- Chladničku neprepĺňajte, aby ste neblokovali prúdenie vzduchu v interiéri.
- Vašu chladničku neumiestňujte na priame slnečné svetlo alebo do blízkosti spotrebičov, ktoré produkujú teplo, ako napr. rúry na pečenie, umývačky riadu alebo radiátory. Produkt inštalujte najmenej 30 cm od tepelných zdrojov a aspoň 5 cm od elektrických rúr.
- Dbajte na to, aby ste jedlo uchovávali v uzavretých nádobách.
- Priestor mrazničky môžete potravinami maximálne naplniť tak, že vyberiete zásuvky, ktoré sú súčasťou mrazničky. Uvedenú hodnotu spotreby energie vašej chladničky sme určili, keď sme vybrali policu a zásuvku mraziaceho priečinka. Pri použití poličky alebo zásuvky vyhovujúcej tvarom a rozmerom mrazených potravín nehrozí žiadne riziko.
- Rozmrazovanie mrazených potravín v priečinku chladničky zabezpečuje úsporu energie a taktiež zachováva kvalitu potravín.

 Musíte vyčistiť interiér chladničky.

3 Inštalácia

⚠ Ak sa nedodržiavajú pokyny uvádzané v používateľskej príručke, výrobca za tento stav nepreberá žiadnu zodpovednosť.

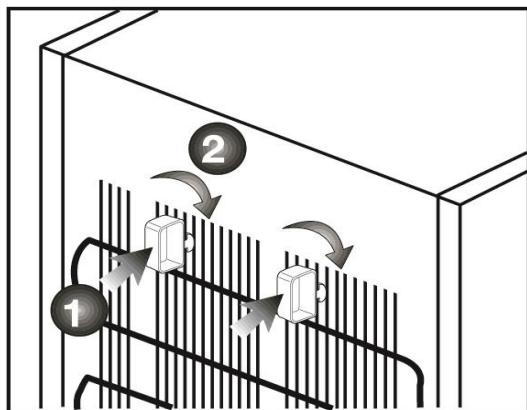
Body, ktorým je potrebné venovať pozornosť pri premiestňovaní chladničky

1. Pred prepravou je chladničku potrebné vyprázdniť a vyčistiť.
2. Pred opakovaným zabalením je potrebné poličky, príslušenstvo, chladiaci priečinok atď. vo vnútri chladničky upevniť lepiacou páskou a chrániť pred nárazmi. Škatuľu je potrebné previazať hrubou páskou alebo pevným motúzom, pričom je potrebné dôsledne dodržiavať pravidlá prepravy uvedené na obale.
3. Originálny obal a penové materiály by ste si mali odložiť za účelom budúceho transportu a prenášania.

Pred uvedením chladničky do prevádzky,

Pred začatím používania vašej chladničky skontrolujte nasledovné:

1. Upevnite 2 plastové klíny podľa znázornenia na obrázku nižšie. Plastové klíny slúžia na uchovanie odstupu nevyhnutného na zabezpečenie prúdenia vzduchu medzi chladničkou a stenou. (Obrázok slúži len ako referencia a nemusí sa presne zhodovať s vaším výrobkom.)



2. Vyčistite interiér chladničky podľa odporúčania v odseku „Údržba a čistenie“.
3. Zasuňte zásuvku chladničky do elektrickej zástrčky. Keď sa otvoria dvere chladničky, zapne sa vnútorné svetlo chladničky.
4. Keď sa kompresor uvedie do prevádzky, zaznie zvuk. Kvapalina a plyny utesnené v chladiacom systéme môžu vydávať nejaký zvuk, bez ohľadu na to, či kompresor je alebo nie je v prevádzke. Toto je celkom normálne.
5. Predné hrany chladničky môžu byť zohriate. To je normálne. Tieto časti sú vytvorené tak, aby boli zohriate, aby sa predišlo kondenzácii.

Elektrické prepojenia

Pripojte výrobok k uzemnenej zástrčke, ktorá je chránená poistkou príslušnej kapacity.

Dôležité:

Pripojenie musí byť v zhode s národnými predpismi.

- Elektrická zásuvka musí byť po inštalácii ľahko prístupná.
- Elektrická bezpečnosť vašej chladničky je zaručená len vtedy, keď je váš uzemňovací systém v zhode s týmito štandardmi.
- Napätie uvedené na štítku na ľavej vnútornej strane výrobku sa musí zhodovať s napätím v elektrickej sieti.
- **Predlžovacie káble a rozbočky sa nesmú používať na pripojenie zariadenia.**

⚠ Poškodený elektrický kábel musí vymeniť kvalifikovaný elektrikár

⚠ Zariadenie sa nesmie prevádzkovať dovtedy, pokiaľ nebude opravené! Hrozí nebezpečenstvo zásahu elektrickým prúdom!

Likvidácia obalu

Obalový materiál môže byť nebezpečný pre deti. Obalový materiál držte mimo dosahu detí alebo ho vyhodte podľa pokynov pre likvidáciu odpadu ustanovené miestnymi úradmi. Nelikvidujte spolu s bežným komunálnym odpadom, likvidujte na miestach zberu obalových materiálov ustanovených miestnymi úradmi.

Balenie chladničky je vyrobené z recyklovateľných materiálov.

Likvidácia vašej starej chladničky

Vašu starú chladničku zlikvidujte ekologicky.

- O likvidácii vašej starej chladničky sa môžete poradiť s vašim autorizovaným predajcom alebo zberným miestom.

Pred likvidáciou vašej chladničky odrežte elektrickú zásuvku a ak sa na dverách nachádzajú nejaké zámky, znefunkčnite ich, aby ste nevystavili deti žiadnemu nebezpečenstvu.

Umiestnenie a inštalácia

⚠ Ak vstupné dvere v miestnosti, kde bude chladnička nainštalovaná, nie sú dostatočne široké na to, aby cez ne chladnička prešla, zavolajte do autorizovaného servisu, aby odmontovali dvere vašej chladničky a bokom ju preniesli cez dvere.

1. Chladničku nainštalujte na miesto, ktoré umožňuje ľahké použitie.

2. Chladničku udržiavajte mimo dosah zdrojov tepla, vlhkých miest a priameho slnečného svetla.

3. Kvôli dosiahnutiu účinnej prevádzky musí byť v okolí chladničky dostatočné vetranie. Ak bude chladnička umiestnená vo výklenku v stene, minimálna vzdialenosť od stropu musí byť 5 cm a od steny 5 cm. Nedávajte svoj produkt na materiály, ako napríklad koberček alebo koberec.

4. Kvôli zabráneniu hádzaniu dajte chladničku na rovnú podlahu.

Výmena lampy osvetlenia

Ak chcete vymeniť žiarovku/diódu použitú na osvetlenie vašej chladničky, zavolajte do autorizovaného servisu.

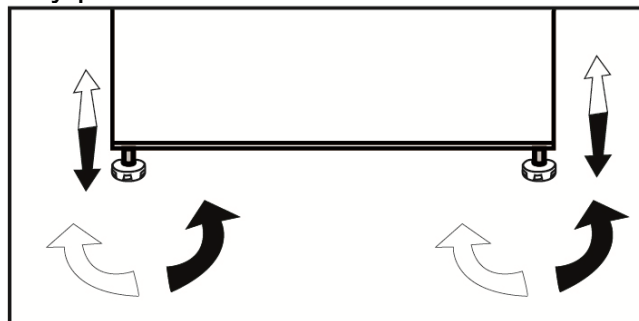
Lampa(y) použité v tomto prístroji nie sú vhodné pre osvetlenie miestnosti domácnosti. Zamýšľaný účel tohto svetidla je pomôcť užívateľovi umiestniť potraviny do chladničky/mrazničky bezpečne a pohodlne.

Žiarovky použité v tomto spotrebiči musí vydržať extrémne fyzické podmienky, napr. teploty pod -20°C .

Nastavenie nôh

Ak je vaša chladnička nestabilná;

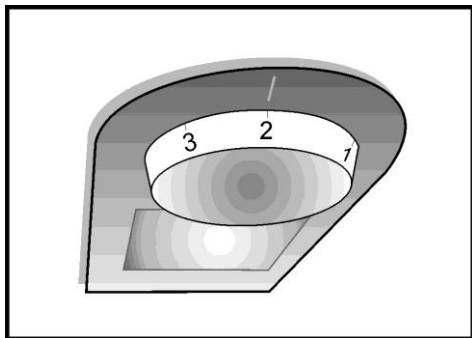
Chladničku môžete vyvážiť otáčaním predných nôh tak, ako je to znázornené na obrázku. Keď nohu otáčate v smere čiernej šípky, roh s príslušnou nohou sa znižuje; keď nohu otáčate v opačnom smere, poloha sa zvyšuje. Pomoc inej osoby miernym pridvihnutím chladničky celý proces uľahčí.



4 Príprava

- Vaša chladnička by mala byť umiestnená v najmenej 30 cm vzdialenosti od zdrojov tepla, ako sú horáky, rúry na pečenie, radiátory a kachle a najmenej v 5 cm vzdialenosti od elektrických rúr na pečenie a nemala by byť umiestnená na priamom slnku.
- Uistite sa, že je interiér vašej chladničky dôkladne vyčistený.
- Ak sa budú vedľa seba inštalovať dve chladničky, mala by byť medzi nimi vzdialenosť minimálne 2 cm.
- Pri prvom spustení vašej chladničky počas šiestich hodín dodržujte nasledujúce pokyny.
- Dvere by ste nemali otvárať príliš často.
- Chladnička musí byť počas tohto času prázdna.
- Chladničku neodpájajte od siete. Ak dôjde k výpadku napájania, ktoré nemôžete ovplyvniť, pozrite si upozornenia v časti „Odporúčané riešenia problémov“.
- Tento produkt bol navrhnutý na prevádzku pri okolitej teplote až 43° C (110 ° F).

5 Použitie chladničky



Tlačidlo nastavenia termostatu

Vnútoraná teplota chladničky sa mení z nasledujúcich dôvodov;

- Sezónne teploty,
- Časté otváranie dverí a dlhé ponechanie otvorených dverí,
- Vloženie jedla do chladničky skôr, ako sa schladí na izbovú teplotu.
- Umiestnenie chladničky v miestnosti (napr. vystavenie slnečnému svetlu).
- Môžete nastaviť premenlivou teplotu vnútornej časti s zreteľom na také dôvody prostredníctvom použitia termostatu.

Prevádzkové teploty sa riadia gombíkom termostatu a môžu sa nastaviť do akejkoľvek polohy medzi 0 a 5 (najchladnejšia poloha).

Priemerná teplota vo vnútri chladničky by mala byť okolo +5°C (+41°F).

Nastavte preto termostat tak, aby ste dosiahli požadovanú teplotu. Niektoré časti chladničky môžu byť chladnejšie alebo teplejšie (ako napríklad priehradka na šalát a vrchná časť vitríny), čo je celkom normálne. Odporúčame vám, aby ste pravidelne kontrolovali teplotu teplomerom. Tak zabezpečíte, že vitrína sa udržiava pri tejto teplote. Časté otváranie dverí spôsobuje zvýšenie vnútornej teploty, preto sa odporúča zatvoriť dvere čo možno najsôr po použití.

Odmrazovanie

A) Priestor chladničky

V priestore chladničky dochádza k plne automatickému odmraveniu. Kým sa priestor v chladničke ochladzuje, môžu sa vo vnútri chladničky objaviť vodné kvapky a námraza do veľkosti 7-8 mm. Takýto jav je normálny výsledok chladiaceho systému. Vytvorená námraza sa automaticky odstraňuje pri automatickom odmravení po určitých intervaloch vďaka automatickému odmravovaciemu systému v zadnej stene. Užívateľ nemusí škriabať námrazu alebo stierať kvapky vody. Voda po odmravení steká do drážky pre zber vody a tečie do výparníka odvodňovacie trubicou, kde sa sama vyparuje. Pravidelne kontrolujte, či nie je upchatá odkvapová rúra a v prípade potreby ju uvoľníte pomocou prepichnutia Priečinok hlbokého zmrazenia nevykonáva automatické odmravenie, kvôli zabráneniu rozkladu zmrazeného jedla.

B) Priestor mrazničky

Rozmrazovanie je veľmi priamočiare a bez zmätkov vďaka špeciálnej rozmrazovacej zbernej miske. Rozmrazujte dvakrát do roka alebo keď sa vytvorila vrstva námrazy asi 7 mm (1/4"). Pri začatí rozmrazovacieho postupu vypnite spotrebič zo zásuvky a vytiahnite zástrčku.

Všetky potraviny by mali byť zabalené do niekoľkých vrstiev novín a skladované na chladnom mieste (napr. v chladničke alebo v komore).

Nádrže teplej vody sa môžu opatrne položiť do mrazničky na urýchlenie rozmrazovania.

Na odstránenie námrazy nepoužívajte špicaté predmety ani predmety s ostrou hranou, ako nože alebo vidličky.

Na rozmrazovanie nikdy nepoužívajte sušiče vlasov, elektrické ohrievače alebo iné elektrické spotrebiče.

Odsajte rozmrazenú vodu zhromaždenú na dne priestoru mrazničky. Po rozmrazení starostlivo osušte interiér. Vložte zástrčku do zásuvky v stene a zapnite dodávku elektriny.

Mrazenie čerstvých potravín

- Pred umiestnením do chladničky jedlo obalte alebo zakryte.
 - Horúce jedlo sa musí pred umiestnením do chladničky ochladiť na izbovú teplotu.
 - Potraviny, ktoré chcete zamraziť, musia byť čerstvé a v dobrej kvalite.
 - Potraviny musíte rozdeliť na porcie podľa denných rodinných alebo na jedle založených potrebách konzumácie.
 - Potraviny musia byť zabalené vzduchotesným spôsobom, aby sa zabránilo ich vysušeniu aj v prípade, že ich plánujete uchovať len krátku dobu.
 - Materiály použité na balenie musia byť odolné voči roztrhnutiu, chladu, vlhkosti, pachom, olejom a kyselinám a musia byť aj vzduchotesné.
- Okrem toho musia byť dobre zatvorené a musia byť vyrobené z ľahko použiteľných materiálov, ktoré sú vhodné na použitie pri hlbokom zmrazení.
- Zmrazené potraviny musíte použiť okamžite po rozmrazení a nikdy ich opätovne nezmrázajte.
 - Dodržiavajte nasledujúce pokyny, aby ste dosiahli najlepšie výsledky.


1. Naraz nemrazte príliš veľké množstvá jedla. Kvalita potravín sa najlepšie zachová, keď sa mrazia správne až do vnútra, čo možno najrýchlejšie.

2. Vloženie teplých potravín do priestoru mrazničky spôsobuje, že chladiaci systém funguje neustále, až kým potraviny nie sú pevne zmrazené.

3. Buďte obzvlášť opatrní, aby ste nezmiešali mrazené a čerstvé potraviny.

- Horúce jedlá a nápoje sa musia pred umiestnením do chladničky ochladiť na izbovú teplotu.
- Maximálny úložný objem mrazených potravín môžete dosiahnuť bez používania krytu hornej police, ktorý sa nachádza v priečniku mrazničky. Príkon vášho spotrebiča je deklarovaný, keď je priečinok mrazničky plne naložený bez použitia krytu hornej police.
- Ak došlo k výpadku prúdu, neotvárajte dvere mrazničky. Aj keď bude výpadok prúdu trvať „čas zvýšenia teploty“ uvedený v časti „Technické údaje vašej chladničky“, nebude to mať vplyv na zmrazené potraviny. Ak výpadok trvá dlhšie, jedlo sa musí skontrolovať a v prípade potreby okamžite skonzumovať, prípadne zmraziť po uvarení.
- Venujte pozornosť dátumu expirácie, maximálnej povolenej dobe uskladnenia a odporúčanej teplote uskladnenia zakúpených potravín. Ak uplynie doba expirácie, nekonzumujte.

Odporúčania pre uchovávanie mrazeného jedla

Balené komerčne predávané mrazené jedlo by sa malo skladovať v súlade s pokynmi výrobcu pre  (4 - hviezdikový) priečinok na uchovávanie mrazeného jedla.

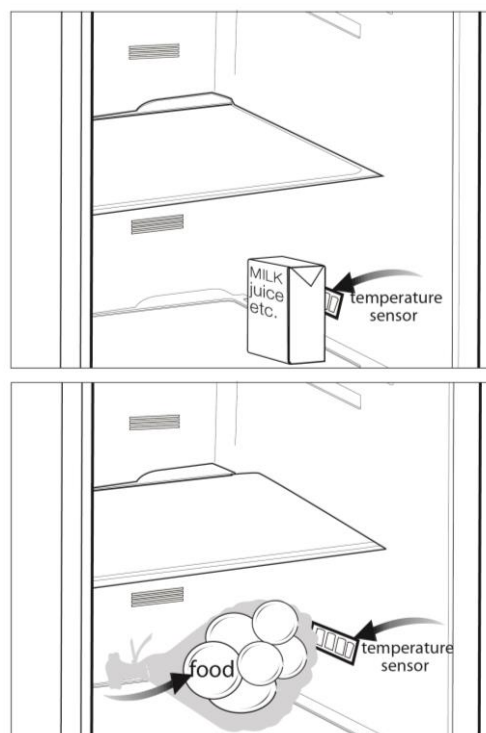
• V záujme zachovania vysokej kvality dodávanej výrobcom a predajcom mrazených potravín je potrebné dodržiavať nasledovné pravidlá:

- V záujme zachovania vysokej kvality dodávanej výrobcom a predajcom mrazených potravín je potrebné dodržiavať nasledovné pravidlá:
1. Po zakúpení balenia čo najskôr vkladajte do mrazničky.
 2. Zabezpečte, aby bol obsah označený a datovaný.
 3. Neprekračujte dátumy spotreby a použiteľnosti uvedené na obaloch.

Odporúčania pre oddelenie čerstvého jedla

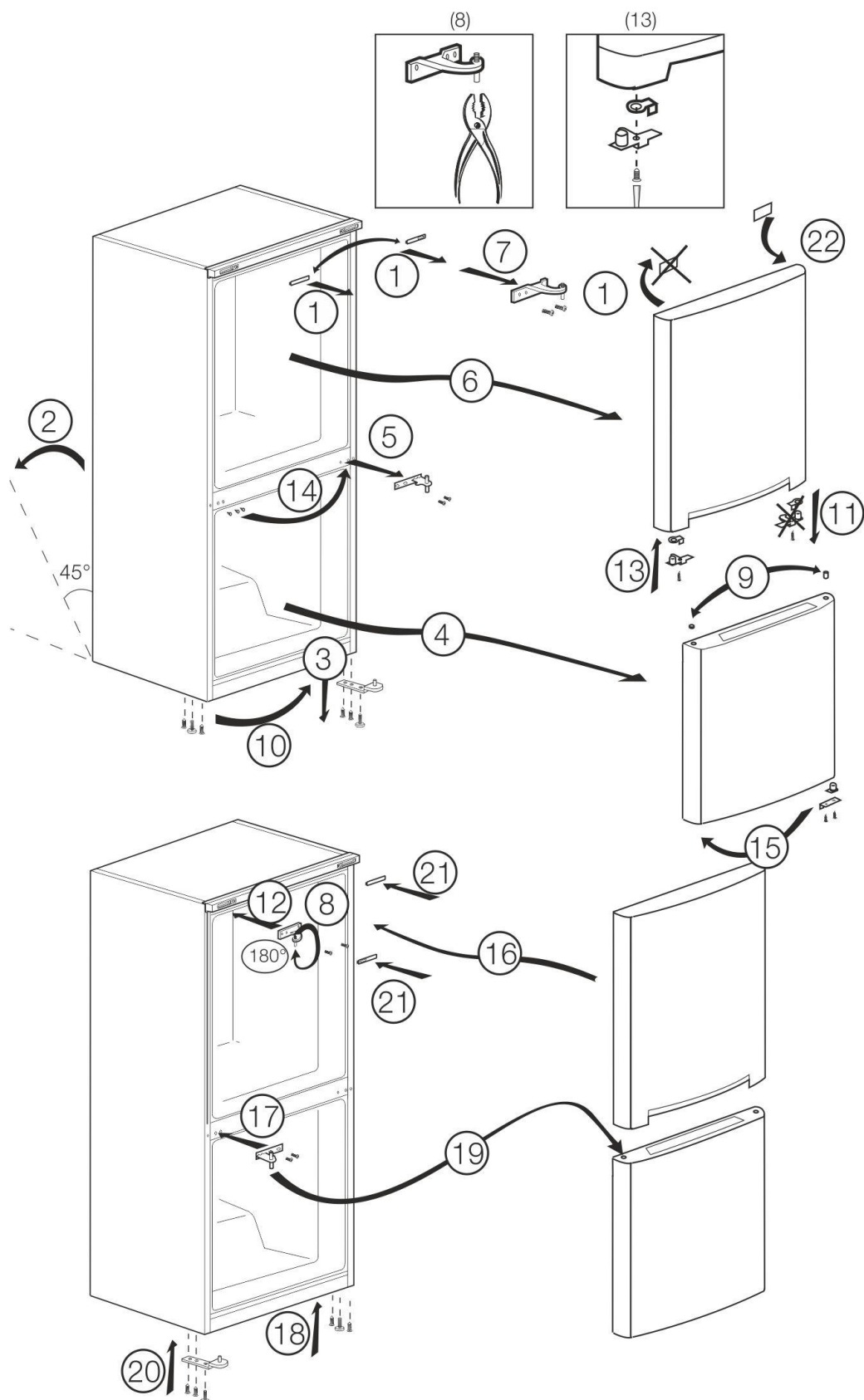
*voliteľné

- Nedovoľte, aby sa potraviny dostali do kontaktu s teplotným senzorom v priestore čerstvého jedla. Ak sa má v priečniku čerstvého jedla zachovať optimálna uskladňovacia teplota, senzor nesmie byť blokovaný jedlom.
- Do výrobku nekladajte horúce potraviny.



Obrátenie dverí

Postupujte podľa číselného poradia



- ⚠** Na čistenie nikdy nepoužívajte plyn, benzín alebo obdobné prostriedky.
- ⚠** Odporúčame vám, aby ste zariadenie pred vyčistením odpojili od siete.
- ⚠** Na čistenie nikdy nepoužívajte žiadne ostré a drsné predmety, mydlo, domáce čističlá, saponáty a voskové leštidlá.
- i** Na čistenie skrine chladničky použite vlažnú vodu a vytrite ju do sucha.
- i** Použite vlhkú handru namočenú v roztoku jednej lyžičky sódy bikarbóny v pol litri vody. Umyte vnútrajšok a vytrite ho do sucha.
- ⚠** Uistite sa, že do puzdra lampy, prípadne iných elektrických súčiastok, neprenikne voda.
- ⚠** Ak sa chladničku nechystáte používať dlhšie obdobie, odpojte napájací kábel, vyberte všetky potraviny, vyčistite ju a dvere nechajte pootvorené.
- i** Skontrolujte tesnenie dverí či je čisté a zbavené odrobiniek z jedla.
- ⚠** Ak chcete odstrániť priechinky vo dverách, vyberte celý ich obsah a potom jednoducho potlačte priechinok nahor zo základne.
- ⚠** Na čistenie vonkajších povrchov a chrómovaných dielov produktu nikdy nepoužívajte čistiace prostriedky ani vodu s obsahom chlóru. Chlór spôsobuje koróziu takýchto kovových povrchov.

Predchádzanie nepríjemným zápachom

Materiály, ktoré môžu spôsobovať zápach sa na výrobu našich chladničiek nepoužívajú.

Avšak kvôli nesprávnym podmienkam uchovávania potravín a nečistenie vnútorných povrchov chladničky podľa potreby môžu spôsobovať problémy so zápachom. Ak chcete predísť tomuto problému, venujte pozornosť nasledujúcim pokynom:

- Je dôležité udržiavať spotrebič v čistote.

Zvyšky potravín, škvrnny atď. môžu spôsobovať zápach. Preto chladničku každých 15 dní čistite uhličitanom rozpusteným vo vode. Nikdy nepoužívajte čistiace prostriedky ani mydlo.

- Potraviny uchovávajte v zatvorených nádobách.

Mikroorganizmy šíriace sa z neuzatvorených nádob môžu spôsobovať neželaný zápach.

- V spotrebiči nikdy neponechávajte potraviny s uplynutým dátumom spotreby.

Ochrana plastových povrchov

- i** Kvapalné oleje a vyprázané jedlá nedávajte do chladničky v otvorených nádobách, pretože poškodzujú plastové povrchy vašej chladničky. V prípade rozliatia alebo roztratia oleja na plastové povrchy okamžite vyčistite a opláchnite príslušnú časť povrchu teplou vodou.

7 Riešenie problémov

Pred zavolaním servisu si pozrite tento zoznam. Ušetrí vám to čas aj peniaze. Tento zoznam obsahuje bežné sťažnosti, ktoré sa nevzťahujú na chybné spracovanie alebo využitie materiálu. Niektoré z tu popísaných funkcií nemusí váš produkt obsahovať.

Chladnička nefunguje.

- Zástrčka nie je správne zasunutá do zásuvky. >>>Bezpečne zasuňte zástrčku do zásuvky.
- Poistka, ku ktorej je pripojená chladnička, alebo hlavná poistka je prepálená. >>>Skontrolujte poistku.

Kondenzácia na bočnej stene priestoru chladničky (MULTIZÓNA, OVLÁDANIE CHLADU a FLEXI ZÓNA).

- Okolie je veľmi chladné. >>>Neinštalujte chladničku na miestach, kde teplota klesá pod 10 °C.
- Dvere sa často otvárali. >>>Neotvárajte a nezatvárajte dvere chladničky príliš často.
- Okolie je veľmi vlhké. Neinštalujte chladničku na miesta s vysokou vlhkosťou.
- Potraviny obsahujúce tekutinu sú uskladnené v otvorených nádobách. >>>Neskladujte potraviny s obsahom tekutín v otvorených nádobách.
- Dvere chladničky ostali otvorené. >>>Zatvárajte dvere na chladničke.
- Termostat je nastavený na veľmi chladnú úroveň. >>>Nastavte termostat na vhodnú úroveň.

Kompresor nie je v prevádzke

- Ochranná teplotná poistka kompresora sa vypáli počas náhleho výpadku napájania alebo pri vytiahnutí a opätovnom zastrčení zásuvky, pretože tlak chladivá v chladničke ešte nie je vyvážený. Chladnička začne pracovať po približne šiestich minútach. Ak po tomto čase chladnička nezačne fungovať, zavolajte servis.
- Chladnička je v rozmrazovacom cykle. >>>Pre plne automatickú rozmrazovaciu chladničku je to normálne. Cyklus odmrazovania sa vykonáva pravidelne.
- Chladnička nie je pripojená do siete. >>>Ubezpečte sa, že ste zástrčku vložili do zásuvky.
- Nastavenia teploty nie sú správne. >>> Vyberte vhodnú hodnotu teploty.
- Zlyhalo napájanie. >>> Chladnička začne opäť normálne fungovať, keď sa obnoví prívod energie.

Prevádzkový hluk sa zvyšuje, keď chladnička pracuje.

- Prevádzkový výkon chladničky sa môže meniť podľa zmeny teploty okolia. Je to úplne normálne a neznamená to poruchu.

Chladnička pracuje príliš často alebo príliš dlhý čas.

- Nový produkt môže byť širší ako predchádzajúci. Väčšie chladničky pracujú dlhší čas.
- Izbová teplota môže byť vysoká. >>>Je normálne, že produkt v teplom prostredí pracuje počas dlhších časových období.
- Chladnička mohla byť zapnutá len nedávno alebo mohlo byť do nej vložené jedlo. >>>Ak bola chladnička nedávno zapojená alebo naplnená potravinami, potrvá jej dlhšie, kým dosiahne nastavenú teplotu. To je normálne.
- Do chladničky mohlo byť len nedávno vložené väčšie množstvo teplého jedla. >>>Do chladničky nedávajte horúce potraviny.
- Dvere môžu byť často otvárané alebo ponechané dlhý čas pootvorené. >>>Teplý vzduch, ktorý prenikol do chladničky, spôsobuje, že chladnička pracuje dlhší čas. Neotvárajte dvere príliš často.
- Dvere mrazničky alebo chladničky mohli ostať otvorené. >>>Skontrolujte, či sú dvere úplne zatvorené.
- Teplota v chladničke je nastavená na veľmi nízku hodnotu. >>>Nastavte teplotu v chladničke na vyššiu a vyčkajte, kým je táto teplota dosiahnutá.
- Tesnenie dverí chladničky alebo mrazničky môže byť zanesené špinou, opotrebované, poškodené alebo nesprávne nasadené. >>>Vyčistite alebo vymeňte tesnenie. Poškodené tesnenie spôsobuje, že chladnička pracuje dlhšiu dobu, aby udržala požadovanú teplotu.

Teplota mrazničky je veľmi nízka, zatiaľ čo teplota chladničky je dostatočná.

- Teplota v mrazničke je nastavená na veľmi nízku hodnotu. >>>Nastavte teplotu v mrazničke na vyššiu a skontrolujte.

Teplota chladničky je veľmi nízka, zatiaľ čo teplota mrazničky je dostatočná.

- Teplota v chladničke je nastavená na veľmi nízku hodnotu. >>>Nastavte teplotu v chladničke na vyššiu a skontrolujte.

Potraviny uložené v spodných zásuvkách chladničky sú zamrznuté.

- Teplota v chladničke je nastavená na veľmi vysokú hodnotu. >>>Nastavte teplotu v chladničke na nižšiu hodnotu a skontrolujte.

Teplota v chladničke alebo mrazničke je príliš vysoká.

- Teplota v chladničke je nastavená na veľmi vysokú hodnotu. >>>Nastavenie teploty priečinku chladničky ovplyvňuje teplotu mrazničky. Zmeňte teploty chladničky alebo mrazničky a počkajte, kým príslušné priečinky dosiahnu dostatočnú teplotu.
- Dvere sú často otvárané alebo ponechané dlhý čas pootvorené. >>>Neotvárajte dvere príliš často.
- Dvere sú pootvorené. >>>Dvere dôkladne zatvorte.
- Chladnička bola nedávno zapojená alebo naplnená potravinami. >>>To je normálne.
Ak bola chladnička nedávno zapojená alebo naplnená potravinami, potrvá jej dlhšie, kým dosiahne nastavenú teplotu.
- Do chladničky mohlo byť len nedávno vložené väčšie množstvo teplého jedla. >>>Do chladničky nedávajte horúce potraviny.

Otrasy alebo hluk.
<ul style="list-style-type: none"> • Podlaha nie je rovná alebo dostatočne stabilná. >>> Ak sa chladnička trasie, keď sa s ňou pomaly hýbe, vyvážite ju nastavením nožičiek. Zároveň skontrolujte, či podlaha dokáže uniesť hmotnosť chladničky a či je rovná. • Predmety položené na chladničku môžu vydávať zvuky. >>>Odstráňte predmety položené navrchu chladničky.
Z chladničky vychádzajú zvuky ako tečenie alebo striekanie kvapaliny.
<ul style="list-style-type: none"> • Tok kvapaliny a plynu sa uskutočňuje podľa prevádzkových princípov. Je to úplne normálne a neznamená to poruchu.
Z chladničky vychádza pískanie.
<ul style="list-style-type: none"> • Na ochladenie chladničky sa používajú ventilátory. Je to úplne normálne a neznamená to poruchu.
Kondenzácia na vnútorných stenách chladničky.
<ul style="list-style-type: none"> • Horúce a vlhké počasie zvyšuje namrazovanie a kondenzáciu. Je to úplne normálne a neznamená to poruchu. • Dvere sú často otvárané alebo ponechané dlhý čas pootvorené. >>>Neotvárajte dvere príliš často. Zatvorte ich, ak sú otvorené. • Dvere sú pootvorené. >>>Dvere dôkladne zatvorte.
Na vonkajšej strane chladničky alebo medzi dverami sa tvorí vlhkosť.
<ul style="list-style-type: none"> • Vo vzduchu sa môže nachádzať vlhkosť - je to celkom bežné pri vlhkom počasí. Pri nižšej vlhkosti sa kondenzácia stratí.
Vo vnútri chladničky je nepríjemný zápach.
<ul style="list-style-type: none"> • Pravidelne sa nečistí. >>>Interiér chladničky pravidelne čistite špongiou, vlažnou vodou alebo roztokom sódy bikarbóny. • Zápach môžu spôsobovať niektoré nádoby alebo obalové materiály. >>>Použite odlišnú nádobu alebo odlišnú značku baliaceho materiálu. • Potraviny sa vkladajú do chladničky v nezakrytých nádobách. >>>Potraviny uchovávajte v zatvorených nádobách. Mikroorganizmy šíriace sa z neuzatvorených nádob môžu spôsobovať neželaný zápach. • Zo spotrebiča odstráňte potraviny, ktoré sú po dátume spotreby a ktoré sú pokazené.
Dvere sa nezatvárajú.
<ul style="list-style-type: none"> • Obaly potravín môžu brániť zatváraníu dverí. >>>Odstráňte obaly, ktoré bránia v ceste dverám. • Chladnička nie je na podlahe úplne rovno. >>>Nastavte nožičky, aby ste chladničku vyvážili. • Podlaha nie je rovná alebo dostatočne pevná. >>>Skontrolujte, či je podlaha rovná a či dokáže uniesť hmotnosť chladničky.
Špeciálne priehradky sú zaseknuté.
<ul style="list-style-type: none"> • Jedlo sa dotýka vrchnej strany zásuvky. >>>Znovu usporiadajte jedlo v zásuvke.

